

LogiCORE IP System Cache v3.0

Product Guide for Vivado Design Suite

PG118 October 2, 2013

Table of Contents

IP Facts

Chapter 1: Overview

Feature Summary	5
Applications	12
Unsupported Features	14
Licensing and Ordering Information	14

Chapter 2: Product Specification

Standards	15
Performance	15
Resource Utilization	18
Port Descriptions	19
Register Space	20

Chapter 3: Designing with the Core

System Cache Design	31
General Design Guidelines	32
Back-door DMA	34
Clocking	36
Resets	37
Protocol Description	37

Chapter 4: Customizing and Generating the Core

Vivado Integrated Design Environment (IDE)	38
Parameter Values	41
Output Generation	43

Chapter 5: Constraining the Core

Chapter 6: Simulation

Chapter 7: Synthesis and Implementation

Appendix A: Migrating and Upgrading

Migrating to the Vivado Design Suite	47
Upgrading in the Vivado Design Suite	47

Appendix B: Debugging

Finding Help on Xilinx.com	49
Debug Tools	50
Simulation Debug	51
Hardware Debug	51
Interface Debug	52

Appendix C: Additional Resources

Xilinx Resources	54
References	54
Revision History	55
Notice of Disclaimer	55
Automotive Applications Disclaimer	55

Introduction

The LogiCORE™ System Cache IP core provides system level caching capability to an AMBA® AXI4 system. The System Cache core resides in front of the external memory controller and is seen as a level 2 cache from the MicroBlaze™ processor point of view.

Features

- Dedicated AXI4 slave ports for MicroBlaze
- Connects up to eight MicroBlaze cache ports, normally four processors
- Generic AXI4 slave port for other AXI4 masters
- Optional cache coherency on dedicated MicroBlaze ports with AXI Coherency Extension (ACE)
- Optional support for exclusive access with non-coherent configuration
- AXI4 master port connecting the external memory controller
- Highly configurable cache
- Optional AXI4-Lite Statistics and Control port

LogiCORE IP Facts Table	
Core Specifics	
Supported Device Family ⁽¹⁾	Zynq®-7000, Virtex®-7, Kintex®-7, Artix®-7
Supported User Interfaces	AXI4, ACE, AXI4-Lite
Resources	See Table 2-8 .
Provided with Core	
Design Files	Vivado: RTL
Example Design	Not Provided
Test Bench	Not Provided
Constraints File	Not Provided
Simulation Model	Not Provided
Supported S/W Driver	N/A
Tested Design Tools⁽²⁾	
Design Entry Tools	Vivado® Design Suite IP Integrator
Simulation	For supported simulators, see the Xilinx Design Tools: Release Notes Guide
Synthesis Tools	Vivado Synthesis
Support	
Provided by Xilinx @ www.xilinx.com/support	

Notes:

1. For a complete list of supported derivative devices, see the Vivado IP catalog.
2. For the supported versions of the tools, see the [Xilinx Design Tools: Release Notes Guide](#).

Overview

Feature Summary

The System Cache IP core can be added to an AXI4 system to improve overall system computing performance, regarding accesses to external memory. The System Cache core is typically used in a MicroBlaze™ system implementing a level 2 cache with up to four MicroBlaze processors. The generic AXI4 interface provides access to the caching capability for all other AXI4 masters in the system.

With cache coherency efficient multi-processor systems can be implemented and the workload distributed between multiple processors, with simple and safe data sharing. The coherency is managed on hardware level with minimalistic software handling needed.

Performance

The effect the System Cache core has on performance is system and application dependent. Application and system characteristics where performance improvements can be expected are:

- Applications with repeated access of data occupying a certain address range, for example, when external memory is used to buffer data during computations. In particular, performance improvements are achieved when the data set exceeds the capacity of the MicroBlaze internal data cache.
- Systems with small MicroBlaze caches, for example, when the MicroBlaze implementation is tuned to achieve as high frequency as possible. In this case, the increased system frequency contributes to the performance improvements, and the System Cache core alleviates the performance loss incurred by the reduced size of the MicroBlaze internal caches.

Cache Coherency

The cache coherency support is used to enable data and instruction cache coherency for multiple MicroBlaze cores. It provides reliable exclusive transactions to implement software spinlocks and simplifies multi-processor, MP, systems where data is shared among the processors. Any data that is updated from one MicroBlaze is guaranteed to be seen from its peer processors without any special software interactions beside ordinary single MicroBlaze

rules for handling self-modifying code. This data manipulation information exchange is handled by the snooping mechanism provided by the AXI Coherency Extension (ACE) (see the *AMBA AXI and ACE Protocol Specification* [Ref 1]). DVM, Distributed Virtual Memory, messages are also available with ACE to ensure that MMU and Branch Target Caches are updated across the system when related changes are performed by any of the connected processors.

Typical Systems

In a typical system with one MicroBlaze processor (Figure 1-1) the instruction and data cache interfaces (M_AXI_IC and M_AXI_DC) are connected to dedicated AXI4 interfaces optimized for MicroBlaze on the System Cache core. The System Cache core often makes it possible to reduce the MicroBlaze internal cache sizes, without reducing system performance. Non-MicroBlaze AXI4 interface masters are connected to the generic AXI4 slave interface of the System Cache core through an AXI4 interconnect.

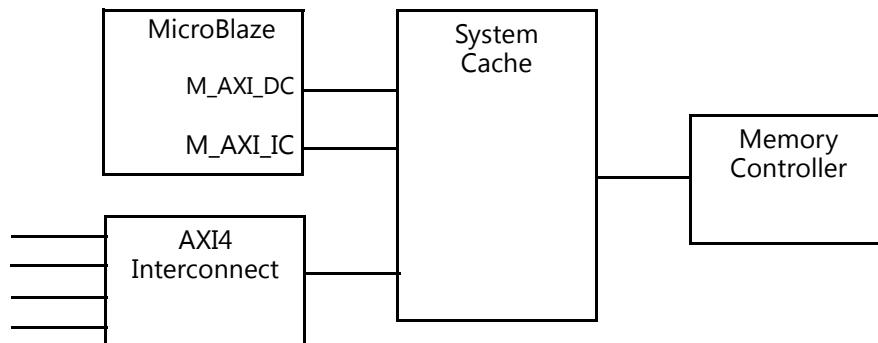


Figure 1-1: Typical System With a Single Processor

The System Cache core can also be used in a system without any MicroBlaze processor, as shown in Figure 1-2.

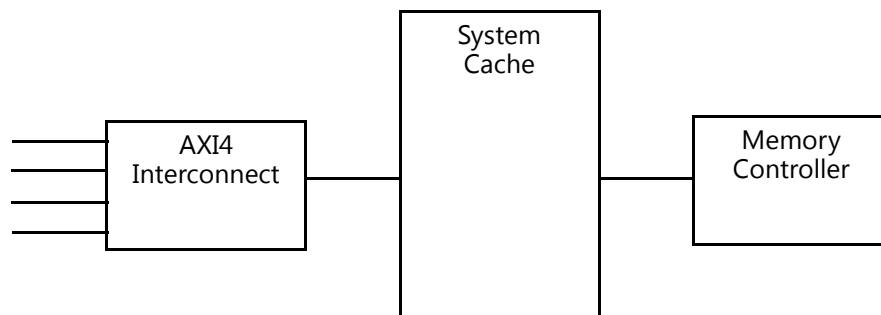


Figure 1-2: System Without Processor

The System Cache core has eight cache interfaces optimized for MicroBlaze, enabling direct connection of up to four MicroBlaze processors, depicted in [Figure 1-3](#).

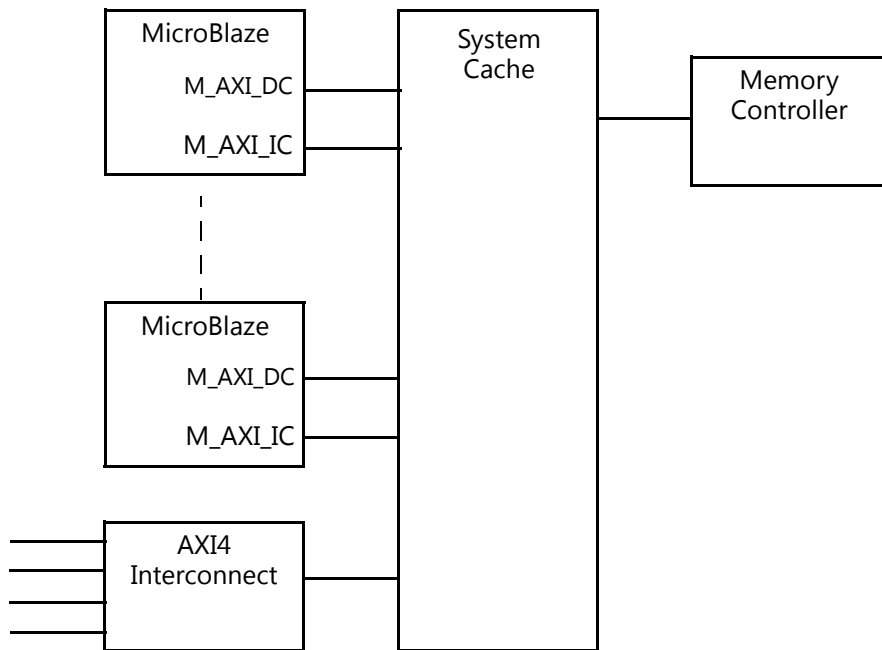


Figure 1-3: **Typical System With Multiple MicroBlaze Processors**

The eight cache interfaces optimized for MicroBlaze provide support for up to four cache coherent MicroBlaze processors, depicted in [Figure 1-4](#).

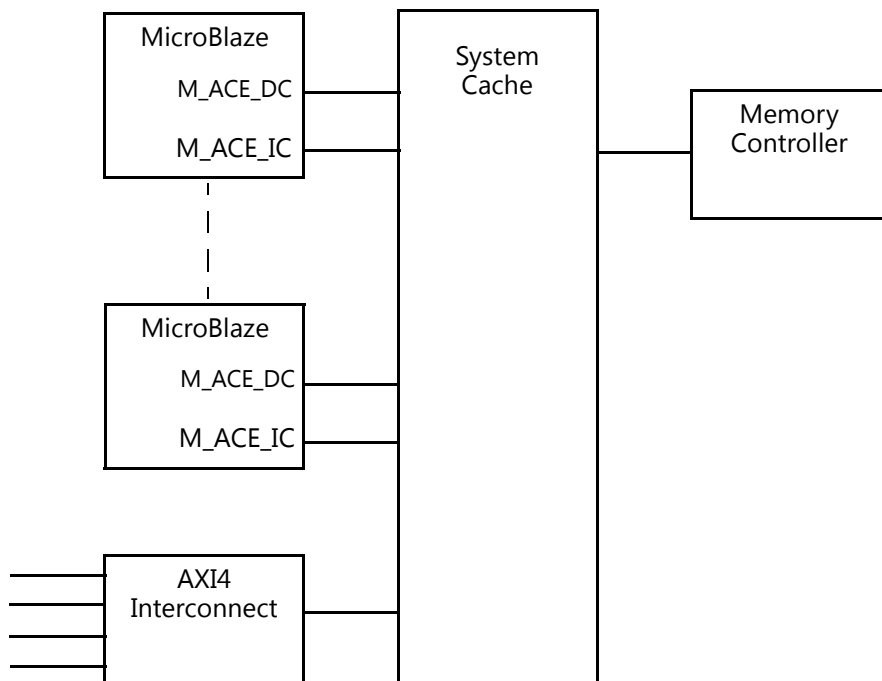


Figure 1-4: **Typical System With Multiple Coherent MicroBlaze Processors**

MicroBlaze Optimized AXI4 Slave Interface

The System Cache core has eight AXI4 interfaces optimized for accesses performed by the cache interfaces on MicroBlaze. Because MicroBlaze has one AXI4 interface for the instruction cache and one for the data cache, systems with up to four MicroBlaze processors can be fully connected.

By using a 1:1 AXI4 interconnect to directly connect MicroBlaze and the System Cache core, access latency for MicroBlaze cache misses is reduced, which improves performance. The optimization to only handle the types of AXI4 accesses issued by MicroBlaze simplifies the implementation, saving area resources as well as improving performance. The data widths of the MicroBlaze optimized interfaces are parameterized to match the data widths of the connected MicroBlaze processors. With wide interfaces the MicroBlaze cache line length normally determines the data width.

The Optimized AXI4 slave interfaces are compliant to a subset of the AXI4 interface specification. The interface includes the subsequent features and exceptions:

- Support for 32-, 128-, 256-, and 512-bit data widths
- Support for some AXI4 burst types and sizes
 - No support for FIXED bursts
 - WRAP bursts corresponding to the MicroBlaze cache line length, that is, either 4 or 8 beats
 - Single beat INCR burst, or either 4 or 8 beats corresponding to the MicroBlaze cache line length
 - Exclusive accesses are treated as a normal accesses, never returning EXOKAY, unless the internal exclusive monitor is enabled
 - Only support for native transaction size, that is, same as data width for the port
- Only support for burst transactions that are contained within a single cache line in the System Cache core
- AXI4 user signals are not supported
- All transactions executed in order regardless of thread ID value. No read reordering or write reordering is implemented.

MicroBlaze Optimized ACE Slave Interface

The optimized AXI4 interfaces are replaced by ACE point-to-point connections when cache coherency is enabled. They are optimized for accesses performed by the cache interfaces on MicroBlaze. Four MicroBlaze processors are supported with coherency enabled.

The Optimized ACE slave interfaces are compliant to a subset of the ACE interface specification. The interface includes the subsequent features and exceptions:

- Support for 32-bit data width
- Support for some ACE burst types and sizes
 - No support for FIXED bursts
 - Protection bits ignored, that is no expansion of address space due to secure/non-secure handling
 - Only sharable transactions are supported
 - WRAP bursts corresponding to the MicroBlaze cache line length, that is, either 4 or 8 beats
 - Single beat INCR burst, or either 4 or 8 beats corresponding to the MicroBlaze cache line length
 - AR channel supports ReadOnce, ReanClean, CleanUnique, CleanInvalid, MakeInvalid and DVM transactions
 - Support for propagation of CleanInvalid and MakeInvalid to peer or downstream caches
 - AW channel supports WriteUnique only
 - Exclusive accesses are only supported for sharable transactions, that is, with ACE transactions exchange
 - Only support for native transaction size bursts, that is, same as data width for the port. Single beat support for all sizes
- Only support for burst transactions that are contained within a single cache line in the System Cache core
- Only support for Write-Through cache in MicroBlaze
- AXI4 user signals are not supported
- All transactions executed in order regardless of thread ID value. No read reordering or write reordering is implemented.

Generic AXI4 Slave Interface

To handle several AXI4 masters in a system an AXI4 interconnect is used to share the single generic AXI4 slave interface on the System Cache core. The generic AXI4 interface has a configurable data width to efficiently match the connected AXI4 masters. This ensures that both the system area and the AXI4 access latency are reduced.

The Generic AXI4 slave interface is compliant to the full AXI4 interface specification. The interface includes the subsequent features and exceptions:

- Support for 32-, 64-, 128-, 256-, and 512-bit data widths
- Support for all AXI4 burst types and sizes

- FIXED bursts are handled as INCR type burst operations (no QUEUE burst capability)
- Up to 16 beats for WRAP bursts
- Up to 16 beats for FIXED bursts (treated as INCR burst type)
- Up to 256 beats for INCR burst
- Exclusive accesses are treated as a normal accesses, never returning EXOKAY, unless the internal exclusive monitor is enabled
- Support for burst sizes that are less than the data width, that is, narrow bursts
- AXI4 user signals are not supported
- All transactions executed in order regardless of thread ID value. No read reordering or write reordering is implemented.

Memory Controller AXI4 Master Interface

The AXI4 master interface is used to connect the external memory controller. The data width of the interface can be parameterized to match the data width of the AXI4 slave interface on the memory controller. For best performance and resource usage, the parameters on the interface and the Memory Controller should match.

The Memory Controller AXI4 master interface is compliant to the AXI4 interface specification. The interface includes the subsequent features:

- Support for 32-, 64-, 128-, 256-, and 512-bit data widths
- Generates the following AXI4 burst types and sizes
 - 2 - 16 beats for WRAP bursts
 - 1 - 16 beats for INCR burst
- AXI4 user signals are not provided
- A single thread ID value is generated

Exclusive Monitor

The optional exclusive monitor provide full support for exclusive transactions when cache coherency is disabled. It supports exclusive transactions from both Generic and Optimized ports.

Cache Memory

The Cache memory provides the actual cache functionality in the System Cache core. The cache is configurable in terms of size and associativity.

The cache size can be configured with the parameter `C_CACHE_SIZE` according to [Table 4-1](#). The selected size is a trade-off between performance and resource usage, in particular the number of block RAMs.

The associativity can be configured with the parameter `C_NUM_SETS` according to [Table 4-1](#). Increased associativity generally provides better hit rate, which gives better performance but requires more area resources.

The correspondence between selected parameters and used block RAMs is listed in [Table 2-8](#).

Statistics and Control

The optional Statistics and Control block can be used to collect cache statistics such as cache hit rate and access latency. The statistics is primarily intended for internal Xilinx use, but can also be utilized to tailor the configuration of the System Cache core to meet the needs of a specific application.

The following types of statistics are collected:

- Port statistics for each slave interface
 - Total Read and Write transaction counts
 - Port queue usage for the six transaction queues associated with each port
 - Cache hit rates for read and write
 - Read and Write transaction latency
- Arbitration statistics
- Functional unit statistics
 - Stall cycles
 - Internal queue usage
- Port statistics for the master interface
 - Read and write latency

The following types of control and configuration information are available:

- Control registers for Flush and Clear cache maintenance
- Version Registers with System Cache core configuration

For details on the registers used to read statistics and control how statistics is gathered, see [Chapter 2, Register Space](#).

Applications

Ethernet System Example

An example of an Ethernet communication system is given in [Figure 1-5](#). The system consists of a MicroBlaze processor connected point-to-point to two optimized ports of the System Cache core. A DMA controller is connected to the generic port of the System Cache core through a 3:1 AXI4 interconnect, because the DMA controller has three AXI4 master ports. The DMA in turn is connected to the Ethernet IP by AXI4-Stream links. Standard peripheral functions like UART, timer, interrupt controller as well as the DMA controller control port are connected to the MicroBlaze peripheral data port (M_AXI_DP) for register configuration and control.

With this partitioning the bandwidth critical interfaces are connected directly to the System Cache core and kept completely separated from the AXI4-Lite based configuration and control connections. This system is used as an example throughout the documentation.

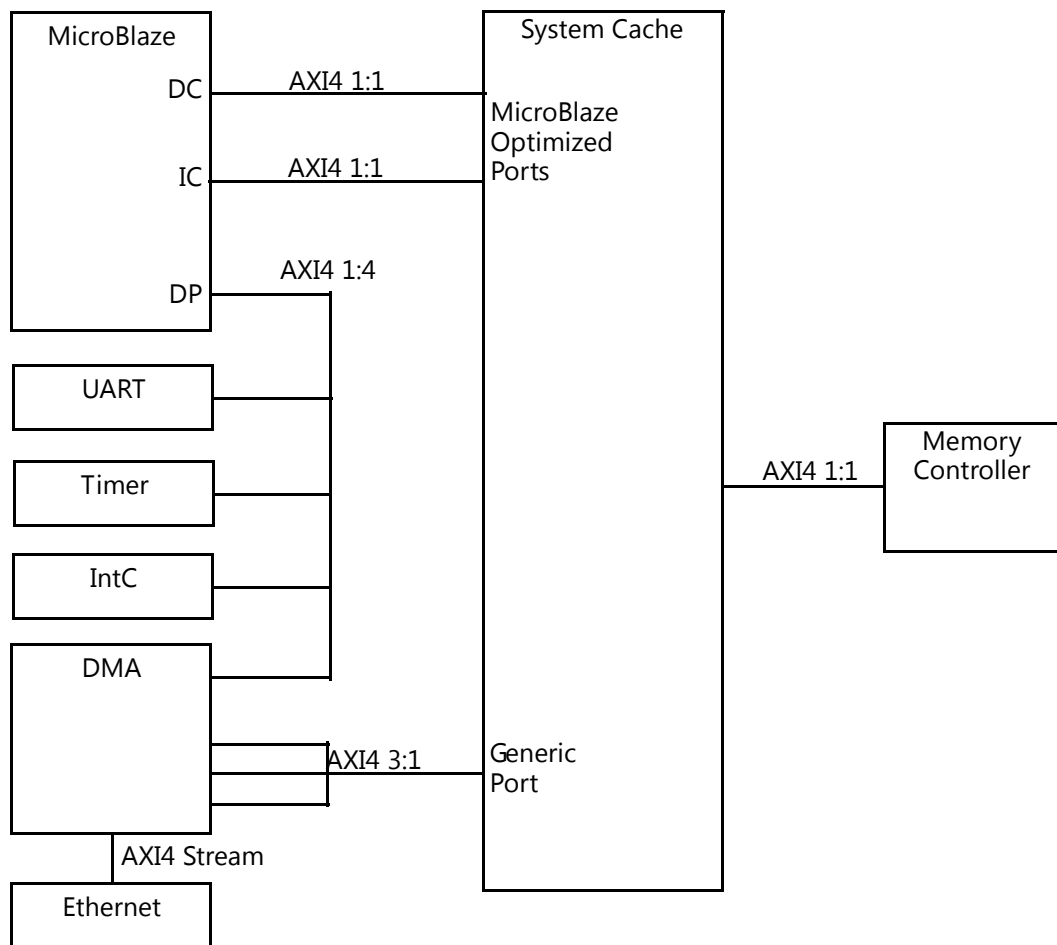


Figure 1-5: Ethernet System

In this example, MicroBlaze is configured for high performance while still being able to reach a high maximum frequency. The MicroBlaze frequency is mainly improved due to small cache sizes, implemented using distributed RAM.

The lower hit rate from small caches is mitigated by the higher system frequency and the use of the System Cache core. The decreased hit rate in the MicroBlaze caches is compensated by cache hits in the System Cache core, which incur less penalty than accesses to external memory.

Write-through data cache is enabled in MicroBlaze which, in the majority of cases, gives higher performance than using write-back cache when MicroBlaze L1 caches are small. The reverse is usually true when there is no System Cache core, or when MicroBlaze L1 caches are large. Finally, victim cache is enabled for the MicroBlaze instruction cache, which improves the hit rate by storing the most recently discarded cache lines.

All AXI4 data widths on the System Cache core ports are matched to the AXI4 data widths of the connecting modules to avoid data width conversions, which minimizes the AXI4 Interconnect area overhead. The AXI4 1:1 connections are only implemented as routing without any logic in this case. All AXI4 ports are clocked using the same clock, which means that there is no need for clock conversion within the AXI4 interconnects. Avoiding clock conversion gives minimal area and latency for the AXI4 interconnects. The parameter settings for MicroBlaze and the System Cache core can be found in Table 1-1 and Table 1-2, respectively.

Table 1-1: MicroBlaze Parameter Settings for the Ethernet System

Parameter	Value
C_CACHE_BYTE_SIZE	512
C_ICACHE_ALWAYS_USED	1
C_ICACHE_LINE_LEN	8
C_ICACHE_STREAMS	0
C_ICACHE_VICTIMS	8
C_DCACHE_BYTE_SIZE	512
C_DCACHE_ALWAYS_USED	1
C_DCACHE_LINE_LEN	8
C_DCACHE_USE_WRITEBACK	0
C_DCACHE_VICTIMS	0

Table 1-2: System Cache Parameter Settings for the Ethernet System

Parameter	Value
C_NUM_OPTIMIZED_PORTS	2
C_NUM_GENERIC_PORTS	1
C_NUM_SETS	4

Table 1-2: System Cache Parameter Settings for the Ethernet System (Cont'd)

Parameter	Value
C_CACHE_SIZE	65536
C_M_AXI_DATA_WIDTH	32

Unsupported Features

Non Coherent Implementation

The System Cache core provides no support for coherency between the MicroBlaze internal caches when the cache coherency is disabled. This means that software must ensure coherency for data exchanged between the processors. When the MicroBlaze processors use write-back data caches, all processors need to flush their caches to ensure correct data being exchanged. For write-through caches, it is only the processors reading data that need to flush their caches to ensure correct data being exchanged.

Cache Coherent Implementation

When cache coherency is enabled masters connected through the generic AXI4 slave port are not included in the coherency domain, but their accesses are monitored by the coherency domain, such that data remains coherent within the domain (that is, read accesses by these AXI4 masters read the correct value, and write accesses update the value within the coherency domain). Coherency is not ensured for any cached or local data outside this domain.

Exclusive transactions from the generic port are disabled, and treated as normal transaction, when cache coherency is enabled. This is because only the ACE transaction based method with snoop messages is supported with cache coherency enabled.

The secure/non-secure bit in AxPROT is not used to expand the memory address range. Both types are treated equally.

Licensing and Ordering Information

This Xilinx LogiCORE™ IP module is provided at no additional cost with the Xilinx Vivado® Design Suite under the terms of the [Xilinx End User License](#). Information about this and other Xilinx LogiCORE IP modules is available at the [Xilinx Intellectual Property](#) page. For information on pricing and availability of other Xilinx LogiCORE IP modules and tools, contact your [local Xilinx sales representative](#).

Product Specification

Standards

The System Core adheres to the AMBA® AXI4 Interface standard (see ARM® AMBA AXI Protocol Specification, Version 2.0 ARM IHI 002C [Ref 2]).

Performance

The perceived performance is dependent on many factors such as frequency, latency and throughput. Which factor has the dominating effect is application-specific. There is also a correlation between the performance factors; for example, achieving high frequency can add latency and also wide datapaths for throughput can adversely affect frequency.

Maximum Frequencies

Table 2-1 shows the clock frequencies for the target families. The maximum achievable clock frequency can vary. The maximum achievable clock frequency and all resource counts can be affected by other tool options, additional logic in the FPGA, using a different version of Xilinx tools, and other factors.

Table 2-1: Maximum Frequencies

Architecture	Speed Grade					
	(-1I)	(-1)	(-2I)	(-2)	(-3)	(-4)
Artix®-7	N/A	140	120	160	190	N/A
Kintex®-7	N/A	210	180	255	285	N/A
Virtex®-7	N/A	220	N/A	250	280	N/A

Cache Latency

Read latency is defined as the clock cycle from the read address is accepted by the System Cache core to the cycle when first read data is available.

Write latency is defined as the clock cycle from the write address is accepted by the System Cache core to the cycle when the BRESP is valid. These calculations assume that the start of the write data is aligned to the transaction address.

The latency depends on many factors such as traffic from other ports and conflict with earlier transactions. The numbers in Table 2-2 assume a completely idle System Cache core and no write data delay for transactions on one of the optimized ports. For transactions using the Generic AXI4 port an additional two clock cycle latency is added.

Table 2-2: System Cache Latencies for Optimized Port

Type	Optimized Port Latency
Read Hit	5
Read Miss	6 + latency added by memory subsystem
Read Miss Dirty	Maximum of: 6 + latency added by memory subsystem 6 + latency added for evicting dirty data (cache line length * 32 / M_AXI Data Width)
Write Hit	2 + burst length
Write Miss	Non-bufferable transaction: 6 + latency added by memory subsystem for writing data Bufferable transaction: Same as Write Hit

Enabling cache coherency affects the latency and also introduces new types of transaction latencies. The numbers in Table 2-3 assume a completely idle System Cache core and no write data delay for transactions on one of the optimized ports. Transactions from the generic port still have two cycles of extra latency.

Table 2-3: System Cache Latencies for Cache Coherent Optimized Port

Type	Coherent Optimized Port Latency
DVM Message	8 + latency added by snooped masters
DVM Sync	11 + latency added by snooped masters
Read Hit	8 + latency added by snooped masters
Read Miss	9 + latency added by snooped masters + latency added by memory subsystem
Read Miss Dirty	Maximum of: 9 + latency added by snooped masters + latency added by memory subsystem 9 + latency added by snooped masters + latency added for evicting dirty data (cache line length * 32 / M_AXI Data Width)
Write Hit	Maximum of: 2 + burst length 5 + latency added by snooped masters
Write Miss	Non-bufferable transaction: 9 + latency added by snooped masters + latency added by memory subsystem for writing data Bufferable transaction: same as Write Hit

The numbers for an actual application varies depending on access patterns, hit/miss ratio and other factors. Example values from a system ([Typical Systems, page 6](#)) running the iperf network testing tool with the LWIP TCP/IP stack in raw mode are shown in [Table 2-4](#) to [Table 2-7](#). [Table 2-4](#) contains the hit rate for transactions from all ports. [Table 2-5](#), [Table 2-6](#) and [Table 2-7](#) show per port hit rate and latencies for the three active ports.

Table 2-4: Application Total Hit Rates

Type	Hit Rate
Read	99.82%
Write	92.93%

Table 2-5: System Cache Hit Rate and Latencies for MicroBlaze D-Side Port

Type	Hit Rate	Min	Max	Average	Standard Deviation
Read	99.68%	5	289	7	3
Write	96.63%	3	30	3	1

Table 2-6: System Cache Hit Rate and Latencies for MicroBlaze I-Side Port

Type	Hit Rate	Min	Max	Average	Standard Deviation
Read	9.96%	5	568	6	2
Write	N/A	N/A	N/A	N/A	N/A

Table 2-7: System Cache Hit Rate and Latencies for Generic Port

Type	Hit Rate	Min	Max	Average	Standard Deviation
Read	76.68%	7	388	18	13
Write	9.78%	6	112	24	5

Throughput

The System Cache core is fully pipelined and can have a theoretical maximum transaction rate of one read or write hit data concurrent with one read and one write miss data per clock cycle when there are no conflicts with earlier transactions.

This theoretical limit is subject to memory subsystem bandwidth, intra-transaction conflicts and cache hit detection overhead, which reduce the achieved throughput to less than three data beats per clock cycle.

Resource Utilization

Resources required for the System Cache core have been estimated for the Kintex-7 FPGA (Table 2-8). These values were generated using the Xilinx Vivado® Design Suite. They are derived from post-synthesis reports, and might be changed by the implementation tools.

Table 2-8: Device Utilization – Kintex-7

Feature							Device Resources		
C_NUM_OPTIMIZED_PORTS	C_NUM_GENERIC_PORTS	C_NUM_SETS	C_ENABLE_COHERENCY	C_S0_AXI_DATA_WIDTH	C_M_AXI_DATA_WIDTH	C_CACHE_SIZE	LUTs	FFs	Block RAMs
1	0	2	0	32	32	32KB	1315	1010	10
2	0	2	0	32	32	32KB	1662	1161	10
4	0	2	0	32	32	32KB	2175	1461	10
8	0	2	0	32	32	32KB	3527	2046	10
0	1	2	0	32	32	32KB	1762	1331	10
2	1	2	0	32	32	32KB	2360	1644	10
2	0	4	0	32	32	32KB	2100	1421	9
2	0	2	0	32	32	64KB	1656	1159	18
2	0	2	0	32	32	128KB	1658	1157	34
2	0	2	0	32	32	256KB	1664	1155	67
2	0	2	0	32	32	512KB	1667	1153	133
2	0	2	0	32	512	128KB	6764	3489	34
2	0	2	0	512	512	128KB	6960	4285	34
2	0	2	1	32	32	32KB	2251	1694	12
4	0	2	1	32	32	32KB	3310	2298	14
8	0	2	1	32	32	32KB	5544	3421	18
2	1	2	1	32	32	32KB	3071	2221	12

Port Descriptions

The block diagram for the System Cache core is shown in Figure 2-1. All System Cache core interfaces are compliant with AXI4. The input signals `ACLK` and `ARESETN` implement clock and reset for the entire System Cache core.

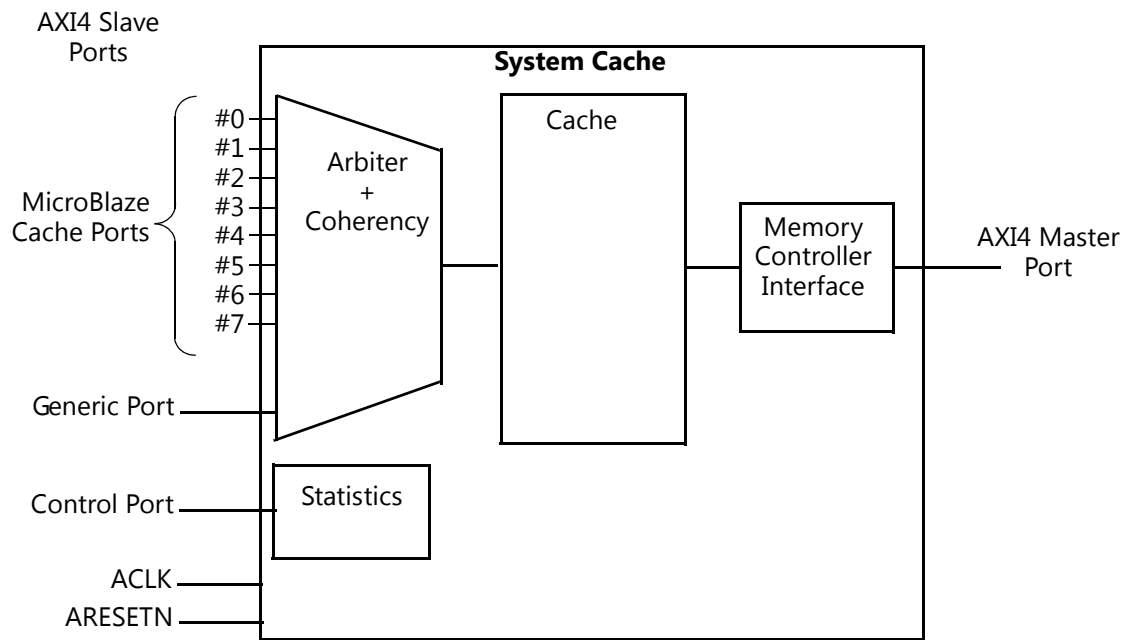


Figure 2-1: System Cache Block Diagram

Table 2-9: System Cache I/O Interfaces

Interface Name	Type	Description
ACLK	Input	Clock for System Cache
ARESETN	Input	Synchronous reset of System Cache
Sx_AXI ⁽¹⁾⁽²⁾	AXI4 Slave	MicroBlaze Optimized Cache Port
Sx_ACE ⁽¹⁾⁽²⁾	ACE Slave	MicroBlaze Optimized Cache Coherent Port
S0_AXI_GEN	AXI4 Slave	Generic Cache Port
M_AXI	AXI4 Master	Memory Controller Master Port
S_AXI_CTRL	AX4-lite Slave	Control port

Notes:

1. x = 0 - 7
2. Mutually exclusive

Register Space

All registers in the optional Statistics module are 64-bits wide. The address map is structure according to [Table 2-10](#).

Table 2-10: Address Structure

Category		Port Number		Functionality		Register		High/Low	Always 00		
16	14	13*	12	10	9	5	4	3	2	1	0

*Reserved for future use.

The address coding of all functional units in the System Cache core with statistic gathering capability is defined by [Table 2-11](#).

Table 2-11: System Cache Address Map, Category and Port Number Field

Address (binary)	Category and Port number	Description
0_0000_00xx_xxxx_xx00	Optimized port 0	All statistics for Optimized port #0 defined in Table 2-12 when used, 0 otherwise.
0_0000_01xx_xxxx_xx00	Optimized port 1	All statistics for Optimized port #1 defined in Table 2-12 when used, 0 otherwise.
0_0000_10xx_xxxx_xx00	Optimized port 2	All statistics for Optimized port #2 defined in Table 2-12 when used, 0 otherwise.
0_0000_11xx_xxxx_xx00	Optimized port 3	All statistics for Optimized port #3 defined in Table 2-12 when used, 0 otherwise.
0_0001_00xx_xxxx_xx00	Optimized port 4	All statistics for Optimized port #4 defined in Table 2-12 when used, 0 otherwise.
0_0001_01xx_xxxx_xx00	Optimized port 5	All statistics for Optimized port #5 defined in Table 2-12 when used, 0 otherwise.
0_0001_10xx_xxxx_xx00	Optimized port 6	All statistics for Optimized port #6 defined in Table 2-12 when used, 0 otherwise.
0_0001_11xx_xxxx_xx00	Optimized port 7	All statistics for Optimized port #7 defined in Table 2-12 when used, 0 otherwise.
0_0100_00xx_xxxx_xx00	Generic port	All statistics for the Generic port defined in Table 2-13 when used, 0 otherwise.
0_1000_00xx_xxxx_xx00	Arbiter	Statistics available in arbiter stage defined in Table 2-14
0_1100_00xx_xxxx_xx00	Access	Statistics available in access stage defined in Table 2-15
1_0000_00xx_xxxx_xx00	Lookup	Statistics available in lookup stage defined in Table 2-16
1_0100_00xx_xxxx_xx00	Update	Statistics available in update stage defined in Table 2-17
1_1000_00xx_xxxx_xx00	Backend	Statistics available in backend stage defined in Table 2-18
1_1100_00xx_xxxx_xx00	Control	Control registers defined in Table 2-19

The address decoding of the MicroBlaze™ optimized ports statistics functionality is shown in [Table 2-12](#).

Table 2-12: System Cache Address Map, Statistics Field for Optimized Port

Address (binary)	Functionality	R/W	Statistics Format	Description
x_xxxx_xx00_000x_xx00	Read Segments	R	COUNT ⁽¹⁾	Number of segments per read transaction
x_xxxx_xx00_001x_xx00	Write Segments	R	COUNT ⁽¹⁾	Number of segments per write transaction
x_xxxx_xx00_010x_xx00	RIP	R	QUEUE ⁽²⁾	Read Information Port queue statistics
x_xxxx_xx00_011x_xx00	R	R	QUEUE ⁽²⁾	Read data queue statistics
x_xxxx_xx00_100x_xx00	BIP	R	QUEUE ⁽²⁾	BRESP Information Port queue statistics
x_xxxx_xx00_101x_xx00	BP	R	QUEUE ⁽²⁾	BRESP Port queue statistics
x_xxxx_xx00_110x_xx00	WIP	R	QUEUE ⁽²⁾	Write Information Port queue statistics
x_xxxx_xx00_111x_xx00	W	R	QUEUE ⁽²⁾	Write data queue statistics
x_xxxx_xx01_000x_xx00	Read Blocked	R	COUNT ⁽¹⁾	Number of cycles a read was prohibited from taking part in arbitration
x_xxxx_xx01_001x_xx00	Write Hit	R	COUNT ⁽¹⁾	Number of write hits
x_xxxx_xx01_010x_xx00	Write Miss	R	COUNT ⁽¹⁾	Number of write misses
x_xxxx_xx01_011x_xx00	Write Miss Dirty	R	COUNT ⁽¹⁾	Number of dirty write misses
x_xxxx_xx01_100x_xx00	Read Hit	R	COUNT ⁽¹⁾	Number of read hits
x_xxxx_xx01_101x_xx00	Read Miss	R	COUNT ⁽¹⁾	Number of read misses
x_xxxx_xx01_110x_xx00	Read Miss Dirty	R	COUNT ⁽¹⁾	Number of dirty read misses
x_xxxx_xx01_111x_xx00	Locked Write Hit	R	COUNT ⁽¹⁾	Number of locked write hits
x_xxxx_xx10_000x_xx00	Locked Read Hit	R	COUNT ⁽¹⁾	Number of locked read hits
x_xxxx_xx10_001x_xx00	First Write Hit	R	COUNT ⁽¹⁾	Number of first write hits
x_xxxx_xx10_010x_xx00	Read Latency	R	COUNT ⁽¹⁾	Read latency statistics
x_xxxx_xx10_011x_xx00	Write Latency	R	COUNT ⁽¹⁾	Write latency statistics
x_xxxx_xx10_100x_xx00	Read Latency Configuration	R/W	LONGINT ⁽³⁾	Configuration for read latency statistics collection. Default value 0. Available modes are defined in Table 2-27 .
x_xxxx_xx10_101x_xx00	Write Latency Configuration	R/W	LONGINT ⁽³⁾	Configuration for read latency statistics collection. Default value 4. Available modes are defined in Table 2-28 .

Notes:

1. See [Table 2-20](#) for the COUNT register fields
2. See [Table 2-21](#) for the QUEUE register fields.
3. See [Table 2-22](#) for the LONGINT register fields.

The address decoding to the statistics functionality in the Generic ports is shown in [Table 2-13](#).

Table 2-13: System Cache Address Map, Statistics Field for Generic Port

Address (binary)	Functionality	R/W	Statistics Format	Description
x_xxxx_xx00_000x_xx00	Read Segments	R	COUNT ⁽¹⁾	Number of segments per read transaction
x_xxxx_xx00_001x_xx00	Write Segments	R	COUNT ⁽¹⁾	Number of segments per write transaction
x_xxxx_xx00_010x_xx00	RIP	R	QUEUE ⁽²⁾	Read Information Port queue statistics
x_xxxx_xx00_011x_xx00	R	R	QUEUE ⁽²⁾	Read data queue statistics
x_xxxx_xx00_100x_xx00	BIP	R	QUEUE ⁽²⁾	BRESP Information Port queue statistics
x_xxxx_xx00_101x_xx00	BP	R	QUEUE ⁽²⁾	BRESP Port queue statistics
x_xxxx_xx00_110x_xx00	WIP	R	QUEUE ⁽²⁾	Write Information Port queue statistics
x_xxxx_xx00_111x_xx00	W	R	QUEUE ⁽²⁾	Write data queue statistics
x_xxxx_xx01_000x_xx00	Read Blocked	R	COUNT ⁽¹⁾	Number of cycles a read was prohibited from taking part in arbitration
x_xxxx_xx01_001x_xx00	Write Hit	R	COUNT ⁽¹⁾	Number of write hits
x_xxxx_xx01_010x_xx00	Write Miss	R	COUNT ⁽¹⁾	Number of write misses
x_xxxx_xx01_011x_xx00	Write Miss Dirty	R	COUNT ⁽¹⁾	Number of dirty write misses
x_xxxx_xx01_100x_xx00	Read Hit	R	COUNT ⁽¹⁾	Number of read hits
x_xxxx_xx01_101x_xx00	Read Miss	R	COUNT ⁽¹⁾	Number of read misses
x_xxxx_xx01_110x_xx00	Read Miss Dirty	R	COUNT ⁽¹⁾	Number of dirty read misses
x_xxxx_xx01_111x_xx00	Locked Write Hit	R	COUNT ⁽¹⁾	Number of locked write hits
x_xxxx_xx10_000x_xx00	Locked Read Hit	R	COUNT ⁽¹⁾	Number of locked read hits
x_xxxx_xx10_001x_xx00	First Write Hit	R	COUNT ⁽¹⁾	Number of first write hits
x_xxxx_xx10_010x_xx00	Read Latency	R	COUNT ⁽¹⁾	Read latency statistics
x_xxxx_xx10_011x_xx00	Write Latency	R	COUNT ⁽¹⁾	Write latency statistics
x_xxxx_xx10_100x_xx00	Read Latency Configuration	R/W	LONGINT ⁽³⁾	Configuration for read latency statistics collection. Default value 0. Modes available defined in Table 2-27
x_xxxx_xx10_101x_xx00	Write Latency Configuration	R/W	LONGINT ⁽³⁾	Configuration for read latency statistics collection. Default value 4. Modes available defined in Table 2-28

Notes:

1. See [Table 2-20](#) for the COUNT register fields.
2. See [Table 2-21](#) for the QUEUE register fields.
3. See [Table 2-22](#) for the LONGINT register fields.

The address decoding to the statistics functionality in the Arbiter functional unit is shown in [Table 2-14](#).

Table 2-14: System Cache Address Map, Statistics Field for Arbiter

Address (binary)	Functionality	R/W	Statistics Format	Description
x_xxxx_xx00_000x_xx00	Valid	R	COUNT ⁽¹⁾	The number of clock cycles a transaction takes after being arbitrated
x_xxxx_xx00_001x_xx00	Concurrent	R	COUNT ⁽¹⁾	Number of transactions available to select from when arbitrating

Notes:

1. See [Table 2-20](#) for the COUNT register fields.

The address decoding to the statistic functionality in the Access functional unit is shown in [Table 2-15](#).

Table 2-15: System Cache Address Map, Statistics Field for Access

Address (binary)	Functionality	R/W	Statistics Format	Description
x_xxxx_xx00_000x_xx00	Valid	R	COUNT ⁽¹⁾	The number of clock cycles a transaction takes after passing the access stage
x_xxxx_xx00_001x_xx00	Snoop Fetch Stall	R	COUNT ⁽¹⁾	Time snoop fetch stalls because of conflicts
x_xxxx_xx00_010x_xx00	Snoop Request Stall	R	COUNT ⁽¹⁾	Time snoop request stalls because of conflicts
x_xxxx_xx00_011x_xx00	Snoop Action Stall	R	COUNT ⁽¹⁾	Time snoop action stalls because of conflicts

Notes:

1. See [Table 2-20](#) for the COUNT register fields.

The address decoding to the statistic functionality in the Access functional unit is shown in [Table 2-16](#).

Table 2-16: System Cache Address Map, Statistics Field for Lookup

Address (binary)	Functionality	R/W	Statistics Format	Description
x_xxxx_xx00_000x_xx00	Fetch Stall	R	COUNT ⁽¹⁾	Time fetch stalls because of conflict
x_xxxx_xx00_001x_xx00	Mem Stall	R	COUNT ⁽¹⁾	Time mem stalls because of conflict
x_xxxx_xx00_010x_xx00	Data Stall	R	COUNT ⁽¹⁾	Time stalled due to memory access
x_xxxx_xx00_011x_xx00	Data Hit Stall	R	COUNT ⁽¹⁾	Time stalled due to conflict
x_xxxx_xx00_100x_xx00	Data Miss Stall	R	COUNT ⁽¹⁾	Time stalled due to full buffers

Notes:

1. See [Table 2-20](#) for the COUNT register fields.

The address decoding to the statistic functionality in the Update functional unit is shown in [Table 2-17](#).

Table 2-17: System Cache Address Map, Statistics Field for Update

Address (binary)	Functionality	R/W	Statistics Format	Description
x_xxxx_xx00_000x_xx00	Stall	R	COUNT ⁽¹⁾	Cycles transactions are stalled
x_xxxx_xx00_001x_xx00	Tag Free	R	COUNT ⁽¹⁾	Cycles tag is free
x_xxxx_xx00_010x_xx00	Data free	R	COUNT ⁽¹⁾	Cycles data is free
x_xxxx_xx00_011x_xx00	Read Information	R	QUEUE ⁽²⁾	Queue statistics for read transactions
x_xxxx_xx00_100x_xx00	Read Data	R	QUEUE ⁽²⁾	Queue statistics for read data
x_xxxx_xx00_101x_xx00	Evict	R	QUEUE ⁽²⁾	Queue statistics for evict information
x_xxxx_xx00_110x_xx00	BRESP Source	R	QUEUE ⁽²⁾	Queue statistics for BRESP source information
x_xxxx_xx00_111x_xx00	Write Miss	R	QUEUE ⁽²⁾	Queue statistics for write miss information
x_xxxx_xx01_000x_xx00	Write Miss Allocate	R	QUEUE ⁽²⁾	Queue statistics for allocated write miss data

Notes:

1. See [Table 2-20](#) for the COUNT register fields.
2. See [Table 2-21](#) for the QUEUE register fields.

The address decoding to the statistic functionality in the Backend functional unit is shown in [Table 2-18](#).

Table 2-18: System Cache Address Map, Statistics Field for Backend

Address (binary)	Functionality	R/W	Statistics Format	Description
x_xxxx_xx00_000x_xx00	Write Address	R	QUEUE ⁽¹⁾	Queue statistics for write address channel information
x_xxxx_xx00_001x_xx00	Write Data	R	QUEUE ⁽¹⁾	Queue statistics for write channel data
x_xxxx_xx00_010x_xx00	Read Address	R	QUEUE ⁽¹⁾	Queue statistics for read address channel information
x_xxxx_xx00_011x_xx00	Search Depth	R	COUNT ⁽²⁾	Transaction search depth for read access before released
x_xxxx_xx00_100x_xx00	Read Stall	R	COUNT ⁽²⁾	Cycles stall due to search
x_xxxx_xx00_101x_xx00	Read Protected Stall	R	COUNT ⁽²⁾	Cycles stall due to conflict
x_xxxx_xx00_110x_xx00	Read Latency	R	COUNT ⁽²⁾	Read latency statistics for external transactions to memory
x_xxxx_xx00_111x_xx00	Write Latency	R	COUNT ⁽²⁾	Write latency statistics for external transactions to memory

Table 2-18: System Cache Address Map, Statistics Field for Backend (Cont'd)

Address (binary)	Functionality	R/W	Statistics Format	Description
x_xxxx_xx01_000x_xx00	Read Latency Configuration	R/W	LONGINT ⁽³⁾	Configuration for read latency statistics collection. Default value 0. Available modes are defined in Table 2-27
x_xxxx_xx01_001x_xx00	Write Latency Configuration	R/W	LONGINT ⁽³⁾	Configuration for read latency statistics collection. Default value 4. Available modes are defined in Table 2-28

Notes:

1. See Table 2-21 for the QUEUE register fields.
2. See Table 2-20 for the COUNT register fields.
3. See Table 2-22 for the LONGINT register fields.

The address decoding to the statistic functionality in the Backend functional unit is shown in Table 2-18.

Table 2-19: System Cache Address Map, Control

Address (binary)	Functionality	R/W	Statistics Format	Description
x_xxxx_xx00_0000_0x00	Statistics Reset	W	LONGINT ⁽¹⁾	Writing to this register resets all statistic data
x_xxxx_xx00_0000_1x00	Statistics Enable	R/W	LONGINT ⁽¹⁾	Configuration for enabling statistics collection. Default value 1. Available modes are defined in Table 2-29
x_xxxx_xx00_0001_0x00	Cache Clean	W	LONGINT ⁽¹⁾	Cache line to be cleaned
x_xxxx_xx00_0001_1x00	Cache Flush	W	LONGINT ⁽¹⁾	Cache line to be flushed
x_xxxx_xx00_0010_0x00	Version Register 0 Basic	R	LONGINT ⁽¹⁾	Basic configuration and version register. Available bit fields defined in Table 2-30
x_xxxx_xx00_0010_1x00	Version Register 1 Extended	R	LONGINT ⁽¹⁾	Extended configuration and version register. Available bit fields defined in Table 2-32

Notes:

1. See Table 2-22 for the LONGINT register fields.

The address decoding to the different registers in a statistic record being of type COUNT is shown in Table 2-20.

Table 2-20: System Cache Address Map, Register Field for COUNT

Address (binary)	Register	R/W	Format	Description
x_xxxx_xxxx_xxx0_0x00	Events	R	LONGINT ⁽¹⁾	Number of times the event has been triggered
x_xxxx_xxxx_xxx0_1x00	Min Max Status	R	MINMAX ⁽²⁾	Min, max and status information defined according to Table 2-25

Table 2-20: System Cache Address Map, Register Field for COUNT (Cont'd)

Address (binary)	Register	R/W	Format	Description
x_xxxx_xxxx_xxx1_0x00	Sum	R	LONGINT ⁽¹⁾	Sum of measured data
x_xxxx_xxxx_xxx1_1x00	Sum ²	R	LONGINT ⁽¹⁾	Sum of measured data squared

Notes:

1. See Table 2-22 for the LONGINT register fields.
2. See Table 2-23 for the MINMAX register fields.

The address the different registers in a statistic record of type QUEUE is shown in Table 2-21.

Table 2-21: System Cache Address Map, Register Field for QUEUE

Address (binary)	Register	R/W	Format	Description
x_xxxx_xxxx_xxx0_0x00	Empty Cycles	R	LONGINT ⁽¹⁾	Clock cycles the queue has been idle
x_xxxx_xxxx_xxx0_1x00	Index Updates	R	LONGINT ⁽¹⁾	Number of times updated with push or pop
x_xxxx_xxxx_xxx1_0x00	Index Max	R	MINMAX ⁽²⁾	Maximum depth for queue (only maximum field used)
x_xxxx_xxxx_xxx1_1x00	Index Sum	R	LONGINT ⁽¹⁾	Sum of queue depth when updated

Notes:

1. See Table 2-22 for the LONGINT register fields.
2. See Table 2-23 for the MINMAX register fields.

The address decoding of the 64-bit vector LONGINT is shown in Table 2-22.

Table 2-22: System Cache Address Map, High-Low Field for LONG INT

Address (binary)	High Low	Description
x_xxxx_xxxx_xxxx_x000	LOW	LONGINT Bits 31-0, least significant half
x_xxxx_xxxx_xxxx_x100	HIGH	LONGINT Bits 63-32, most significant half

The address decoding of the 64-bit vector MIN MAX is shown in Table 2-23.

Table 2-23: System Cache Address Map, High-Low Field for MIN MAX

Address (binary)	High Low	Description
x_xxxx_xxxx_xxxx_x000	LOW	MIN MAX Bits 31-0
x_xxxx_xxxx_xxxx_x100	HIGH	MIN MAX Bits 63-32

Bit field definition of the LONG INT register is shown in Table 2-24.

Table 2-24: LONG INT Register Bit Allocation

Long Integer	
63	0

Bit field definition of the MIN MAX register is shown in [Table 2-25](#).

Table 2-25: MIN MAX Register Bit Allocation

Min	Max	Reserved	Full	Over flow			
63	48	47	32	31	2	1	0

Field definitions for MIN MAX register type shown in [Table 2-26](#).

Table 2-26: MIN MAX Field Definition

Field	Description
Min	Minimum unsigned measurement encountered
Max	Maximum unsigned measurement encountered, saturates when 0xFFFF is reached
Full	Flag if number of concurrent events of the measured type has been reached, indicating that the resulting statistics are inaccurate.
Overflow	Flag if measurements have been saturated; this means the statistics results are less accurate. Both average and standard deviation measurements will be lower than the actual values.

Mode definitions for read latency measurements is shown in [Table 2-27](#).

Table 2-27: Read Latency Measurement

Value	Description
0	AR channel valid until first data is acknowledged
1	AR channel acknowledged until first data is acknowledged
2	AR channel valid until last data is acknowledged
3	AR channel acknowledged until last data is acknowledged

Mode definitions for write latency measurements are shown in [Table 2-28](#).

Table 2-28: Write Latency Measurement

Value	Description
0	AW channel valid until first data is written
1	AW channel acknowledged until first data is written
2	AW channel valid until last data is written
3	AW channel acknowledged until last data is written
4	AW channel valid until BRESP is acknowledged
5	AW channel acknowledged until BRESP is acknowledged

Mode definitions for statistics enable are shown in [Table 2-29](#).

Table 2-29: Statistics Enable Configuration

Value	Description
0	Statistics collection disabled
1	Statistics collection enabled

Bit field definition of the Version Register 0 is shown in [Table 2-30](#).

Table 2-30: Version Register 0 Bit Allocation

Reserved		VR		Reserved		Generic		Optimized		Exclusive		Coherent		Statistics		Version	
63	32	31	30	29	28	27	24	23	20	19	18	17	16	15	8	7	0

Field definitions for MIN MAX register type shown in [Table 2-31](#).

Table 2-31: Version Register 0 Field Definition

Field	Description
VR	Version Registers available: 0 - Basic register set, only this register 1 - Full register set, this and register1, see Table 2-32 2 and 3 are reserved
Generic	Generic port implementation: 0 - Disabled 1 - Enabled 2 to 15 are reserved
Optimized	Number of Optimized port implemented: 0 - All disabled 1 to 8 - Number of ports implemented 9 to 15 are reserved
Exclusive	Internal Exclusive monitor implementation: 0 - Disabled 1 - Enabled 2 to 3 are reserved
Coherent	Cache coherency implementation: 0 - Disabled 1 - Enabled 2 to 3 are reserved
Statistics	Enabled statistics block, binary encoded with multiple selected simultaneously: xxxx_xxx1 - Optimized Ports xxxx_xx1x - Generic Port xxxx_x1xx - Arbiter xxxx_1xxx - Access xxx1_xxxx - Lookup xx1x_xxxx - Update x1xx_xxxx - Backend 1xxx_xxxx - Reserved for future use.
Version	Version of System Cache core: 0 - System Cache version 2.00a 1 - System Cache version 3.0 2 - System Cache version 2.00b 3 to 255 are reserved

Bit field definition of the Version Register 1 is shown in [Table 2-32](#).

Table 2-32: Version Register 1 Bit Allocation

Reserved		Lx Cache Line Length		Lx Cache Size		Cache Line Length		Cache Size		Cache Width		Master Width		Sets	
63	24	23	21	20	17	16	14	13	10	9	7	6	4	3	0

Field definitions for MIN MAX register type shown in [Table 2-33](#).

Table 2-33: Version Register 1 Field Definition

Field	Description
Lx Cache Line Length	Cache line length of connected masters on the optimized port, see Table 2-36
Lx Cache Size	Cache size of connected masters on the optimized port, see Table 2-35
Cache Line Length	Internal cache line length, see Table 2-36
Cache Size	Internal cache size, see Table 2-35
Cache Width	Internal cache data width, see Table 2-34
Master Width	Width of Master AXI4 interfaces used to access memory sub system, see Table 2-34
Sets	Number of associative sets: 0 - 2 Associative sets 1 - 4 Associative sets 2 to 15 are reserved

Interface and cache data width definitions are shown in [Table 2-34](#).

Table 2-34: Interface and Cache Data Width

Value	Description
0	8-bit data interface and path
1	16-bit data interface and path
2	32-bit data interface and path
3	64-bit data interface and path
4	128-bit data interface and path
5	256-bit data interface and path
6	512-bit data interface and path
7	1024-bit data interface and path

Cache size definitions are shown in [Table 2-35](#).

Table 2-35: Cache Size

Value	Description
0	64 byte cache size
1	128 byte cache size
2	256 byte cache size
3	512 byte cache size
4	1K byte cache size
5	2K byte cache size
6	4K byte cache size
7	8K byte cache size
8	16K byte cache size
9	32K byte cache size
10	64K byte cache size
11	128K byte cache size
12	256K byte cache size
13	512K byte cache size
14	1M byte cache size
15	2M byte cache size

Cache line length definitions are shown in [Table 2-36](#).

Table 2-36: Cache Line Length

Value	Description
0	4 word cache line
1	8 word cache line
2	16 word cache line
3-7	Reserved

Designing with the Core

This chapter includes guidelines and additional information to make designing with the core easier. The descriptions herein are MicroBlaze™ centric, but the end result can usually be achieved in a similar fashion by any master that can behave like an MicroBlaze from a bus transaction point of view.

System Cache Design

The System Cache core is a write-back cache with configurable size and set associativity. The configuration determines how the address range for the System Cache core is divided and used, see [Figure 3-1](#).

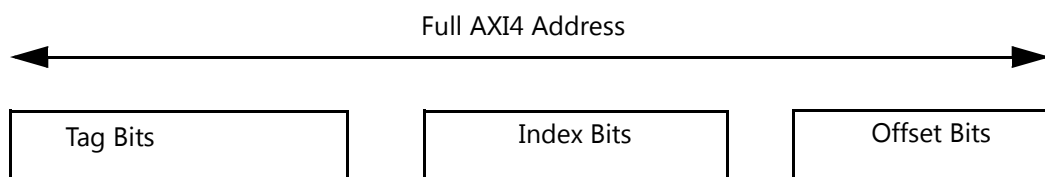


Figure 3-1: Address Bit Usage

Cache Lines

The cache size is divided into cache lines, the number of cache lines is determined by cache size (`C_CACHE_SIZE`) divided by line length in bytes ($4 * C_CACHE_LINE_LENGTH$). In the System Cache core storage, data inside a cache line is accessed by the offset bits of an address.

Sets

Several cache lines, determined by `C_NUM_SETS`, are grouped to form a set. Each set is accessed by the index bits part of the address, see [Figure 3-1](#). An address can be mapped to any of the cache lines, also called ways, in a set. The way that is used when allocating a cache line is firstly any free way in a set, secondly already allocated lines replace by a Least Recently Used (LRU) algorithm.

Tags

A cache line tag consists of the tag bits part of the address and flag bits that determine the status of the cache line, for example if it is valid or dirty. See [Figure 3-2](#) for tag contents.

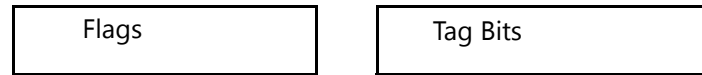


Figure 3-2: Cache Line Tag Contents

General Design Guidelines

There are no golden settings to achieve maximum performance for all cases, as performance is application and system dependent. This chapter contains general guidelines that should be considered when configuring the System Cache core and other IP cores to improve performance.

AXI4 Data Widths

AXI4 Data widths should match wherever possible. Matching widths results in minimal area overhead and latency for the AXI4 interconnects.

AXI4 Clocking

The System Cache core is fully synchronous. Using the same clock for all the AXI4 ports removes the need for clock conversion blocks and results in minimal area overhead and latency for the AXI4 interconnects.

Frequency and Hit Rate

Increased cache hit rate results in higher performance.

The system cache size should be configured to be larger than the connected L1 caches to achieve any improvements. Increasing the system cache size increases hit rate and has a positive effect on performance. The downside of increasing the system cache size is an increased number of FPGA resources being used. Higher set associativity usually increases the hit rate and the application performance.

The maximum frequency of MicroBlaze is affected by its cache sizes. Smaller MicroBlaze cache sizes usually means that MicroBlaze can meet higher frequency targets. The sweet spot for the frequency versus cache size trade-off when using the System Cache core occurs when configuring MicroBlaze caches to either 256 or 512 bytes, depending on other

MicroBlaze configuration settings. The key to improve frequency is to implement MicroBlaze cache tags with distributed RAM.

Enabling the MicroBlaze Branch Target Cache can improve performance but might reduce the maximum obtainable frequency. Depending on the rest of the MicroBlaze configuration smaller BTC sizes, such as 32 entries (`C_BRANCH_TARGET_CACHE_SIZE = 3`), should be considered.

MicroBlaze advanced cache features can be used to tweak performance but they are only available in non coherent configurations. Enabling MicroBlaze victim caches increases MicroBlaze cache hit rates, with improved performance as a result. Enabling victim caches can however reduce MicroBlaze maximum frequency in some cases. Instruction stream cache should be disabled, because it usually reduces performance when connected to the System Cache core. MicroBlaze performance is often improved by using 8-word cache lines on the Instruction Cache and Data Cache.

Bandwidth

Using wider AXI4 interfaces increases data bandwidth, but also increases FPGA resource usage. Using the widest possible common AXI4 data width between the System Cache AXI4 Master and the external memory gives the highest possible bandwidth. This also applies to the AXI4 connection between MicroBlaze caches and the System Cache core. The widest possible common width gives the highest bandwidth.

Arbitration

The System Cache core arbitration scheme is round-robin. When the selected port does not have a pending transaction, the first port with an available transaction is scheduled, considering the optimized ports in ascending numeric order and finally the generic port.

Address Map

The most common case is when the System Cache core is connected to one memory controller. In this case the System Cache core should have the exact same address range as the memory controller. It is allowed to have other configurations, but it is only recommended for the advanced user. An example with single memory controller is shown in [Figure 3-3](#).

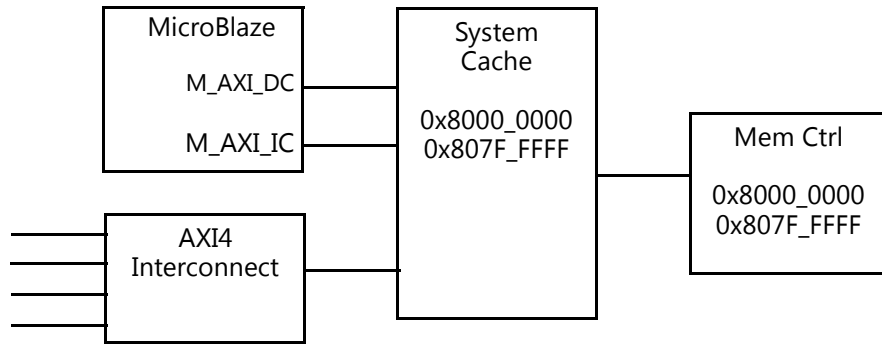


Figure 3-3: Single Memory Controller Configuration

When the System Cache core is connected to multiple slaves it normally has an address range that spans the complete range of all the slaves. Depending on how many slaves there are and their individual address ranges this could leave holes in the address map, which the software designer must be aware of to avoid program issues. An example with a dual memory controller having a hidden address hole is shown in Figure 3-4.

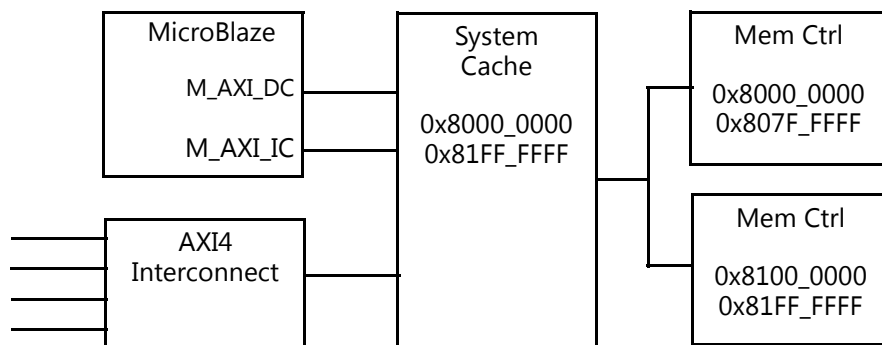


Figure 3-4: Dual Memory Controller Configuration with Hole

Cache Coherency

Enable cache coherency when a multi processor system is expected to work on the same data, and hardware support for cache coherence is desired for efficiency and safety. This handles all coherency support that is required for Branch Target Cache, MMU as well as Instruction and Data caches. Without the hardware cache coherency support all this has to be handled through software.

Back-door DMA

When the System Cache core shares the memory controller(s) with at least one other master, a back-door DMA connection is opened up, Figure 3-5 shows a configuration with one additional master. This back-door connection creates issues with data visibility: if an

address is allocated in the System Cache core it hides data newly updated by MicroBlaze from the other masters that access the memory directly, because the System Cache core uses a write-back storage policy. Similarly, updates from other masters to main memory are hidden from MicroBlaze due to the system cache allocation, which provides the obsolete data that has been previously allocated.

There are multiple solutions to the issues that arise from this system design, depending on the System Cache core configuration. All methods are designed to make sure that an address is not allocated in any of the cache lines in a set.

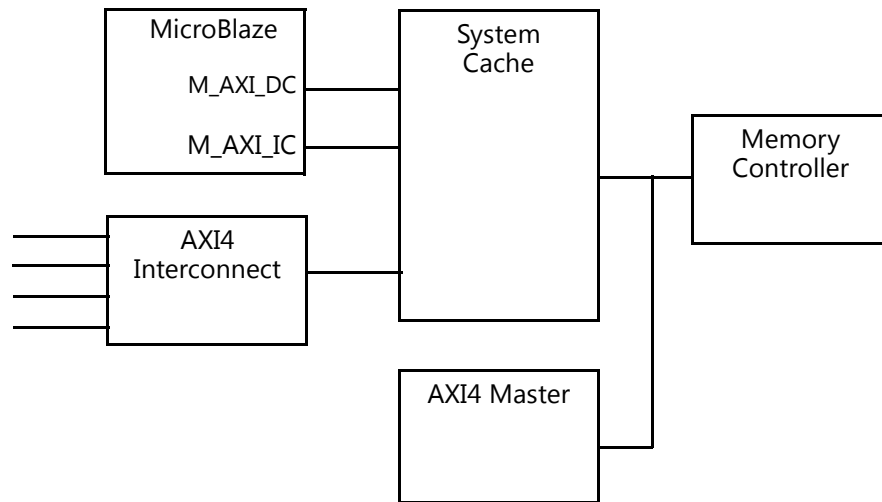


Figure 3-5: Back-Door DMA Connection with One Additional Master

With Cache Coherency

Cache coherency enables communication directly from MicroBlaze to the System Cache core with sideband information. In this case the MicroBlaze code can use the WDC.EXT instructions. There are two types of cache maintenance operations, flush or clear, that can be used depending on how dirty data in the System Cache core for this memory region is handled.

Flush is used when the old data should be retained. This is useful for keeping the old data when the memory region is only partially or sparsely updated from the other master. A flush operation must be used before the other master writes new data or new data might be lost when flushing the system cache. Flush is also used to make sure data written from a MicroBlaze is also visible to the other back-door masters.

Clear should be used when the old data is no longer needed or before the entire memory region is completely updated. Clear operations are typically faster than flush because they do not add transactions on the M_AXI interface of the System Cache core, which have the potential of introducing stall conditions depending on utilization level.

With Control Interface

The control interface can be used when cache coherency is not implemented or if a master not connected to one of the Optimized ACE ports should handle the cache maintenance. Both Flush and Clear type of operations are available by writing to registers on the control interface. The rules for when Flush or Clear should be used are the same as for the cache coherent case.

The cache maintenance operations from the control port have lower priority than ordinary transactions from the Optimized and Generic ports. Due to this they can be slower than the equivalent cache coherent counterpart if the cache load remains high during cache maintenance.

Without Cache Coherency and Control Interface

When neither cache maintenance, through the Optimized ACE ports, nor Control interface are available, cache lines can still be evicted but with less control and more overhead. This eviction is achieved by reading enough dummy data to ensure that an address is evicted from any of the Cache Lines in a Set that the address can be mapped to. The amount of dummy data that needs to be read equals the set associativity that is implemented.

Preferably the dummy data should be located a multiple of the System Cache core cache size away from the memory region that needs to be cleared. From this point the dummy reads should be performed with a distance of the system cache size (C_CACHE_SIZE) divided by number of sets association (C_NUM_SETS). This has to be repeated for each cache line that is covered by the memory region that should be cleared.

For large memory regions it is probably easiest to read data in a system cache sized memory region with a step size of the system cache line length in bytes ($4 * C_CACHE_LINE_LENGTH$). As this method is equivalent to a flush cache maintenance operation it has to be performed before another master updates the memory locations in question, otherwise old dirty data could potentially overwrite the new data as cache lines are evicted.

Clocking

The System Cache core is fully synchronous with all interfaces and the internal function clocked by the ACLK input signal. It is advisable to avoid asynchronous clock transitions in the system as they add latency and consumes area resources.

Resets

The System Cache core is reset by the ARESETN input signal. ARESETN is synchronous to ACLK and needs be asserted one ACLK cycle to take affect. The System Cache core is ready for statistic register operation three ACLK cycles after ARESETN is deasserted. Before the System Cache core is available for general data access the entire memory is cleared, that is, all previous content is discarded. The time it takes to clear the cache depends on the configuration; the approximate time is $2 * C_CACHE_SIZE / (4 * C_CACHE_LINE_LENGTH)$ clock cycles.

Protocol Description

All interfaces to the System Cache core adhere to the AXI4, AXI4-Lite and ACE protocols with limitations, see [Chapter 1, Overview](#).

Customizing and Generating the Core

This chapter includes information on using Xilinx tools to customize and generate the core in the Vivado® Design Suite.

If you are customizing and generating the core in the Vivado IP Integrator, see the *Vivado Design Suite User Guide: Designing IP Subsystems using IP Integrator* (UG994) [Ref 3] for detailed information. IP Integrator might auto-compute certain configuration values when validating or generating the design. To check whether the values do change, see the description of the parameter in this chapter. To view the parameter value you can run the `validate_bd_design` command in the tcl console.

Vivado Integrated Design Environment (IDE)

You can customize the IP for use in your design by specifying values for the various parameters associated with the IP core using the following steps:

1. Select the IP from the IP catalog.
2. Double-click the selected IP or select the Customize IP command from the toolbar or popup menu.

For details, see the sections, “Working with IP” and “Customizing IP for the Design” in the *Vivado Design Suite User Guide: Designing with IP* (UG896) [Ref 4] and the “Working with the Vivado IDE” section in the *Vivado Design Suite User Guide: Getting Started* (UG910) [Ref 5].

The System Cache core parameters are divided into two categories: core and system. See [Table 4-1](#) for allowed values. The core parameter tab is shown in [Figure 4-1](#).

Note: Figures in this chapter are illustrations of the Vivado IDE. This layout might vary from the current version.

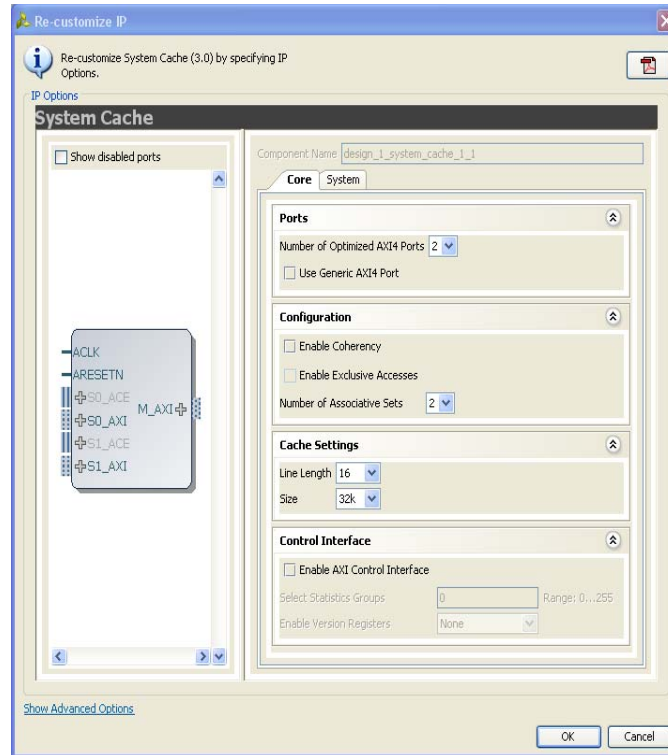


Figure 4-1: Core Parameter Tab

- **Number of Optimized Ports** - Sets the number of optimized ports that are available to connect to a MicroBlaze™ or equivalent IP in terms of AXI4/ACE transaction support.
- **Use Generic AXI4 Port** - Set if the Generic AXI4 port are available for IPs not adhering to the AXI4 subset required for the optimized port, such as DMA.
- **Enable Cache Coherency** - Enables cache coherency for the optimized ports.
- **Enable Exclusive Monitor** - Enables Exclusive handling for non-coherent implementation.
- **Number of Associative Sets** - Specify how many sets the associativity uses.
- **Line Length** - Cache line length is fixed to 16.
- **Size** - Sets the size of the system cache in bytes.
- **Enable AXI Control Interface** - Set if statistics interface is available.
- **Select Statistics Groups** - Bit mask that determines which statistics groups are included.
- **Enable Version Register** - Set level of Version Registers that should be included.

The system parameter tab is shown in [Figure 4-2](#) with the data width parameters visible for the slave interfaces.

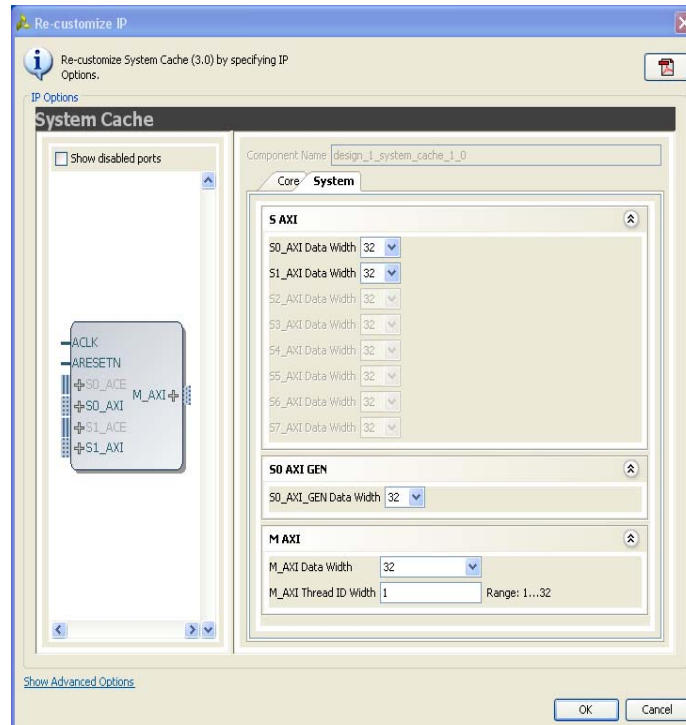


Figure 4-2: System Parameter Tab

- **Sx_AXI Data Width** - Sets the data width of the Optimized ports individually.
- **S0_AXI_GEN Data Width** - Sets the data width of the Generic port.
- **M_AXI Data Width** - Sets the data width of the master interface that is connected to the memory subsystem.

All frequency and interconnect related parameters are hidden in the Vivado interface and handled automatically in the background.

Parameter Values

Certain parameters are only available in some configurations, others impose restrictions that IP cores connected to the System Cache core need to adhere to. All these restrictions are enforced by design rule checks to guarantee a valid configuration. Table 4-1 describes the System Cache core parameters.

The parameter restrictions are:

- Internal cache data width must either be 32 or a multiple of the cache line length of masters connected to the optimized ports ($C_CACHE_DATA_WIDTH = 32$ or $C_CACHE_DATA_WIDTH = n * 32 * C_Lx_CACHE_LINE_LENGTH$).
- All optimized slave port data widths must be less than or equal to the internal cache data width ($C_Sx_AXI_DATA_WIDTH \leq C_CACHE_DATA_WIDTH$).
- Generic slave port data width must be less than or equal to the internal cache data width ($C_S0_AXI_GEN_DATA_WIDTH \leq C_CACHE_DATA_WIDTH$).
- The master port data width must be greater than or equal to the internal cache data width ($C_CACHE_DATA_WIDTH \leq C_M_AXI_DATA_WIDTH$).
- The internal cache line length must be greater than or equal to the corresponding cache line length of the AXI4 masters connected to the optimized port ($C_CACHE_LINE_LENGTH \geq C_Lx_CACHE_LINE_LENGTH$).
- With cache coherency enabled = only 32-bit data is supported for all parts of the datapath ($C_Sx_AXI_DATA_WIDTH = C_CACHE_DATA_WIDTH = C_M_AXI_DATA_WIDTH = 32$).

Table 4-1: System Cache I/O Interfaces

Parameter Name	Feature/Description	Allowable Values	Default Value	VHDL Type
C_FAMILY	FPGA Architecture	Supported architectures	virtex7	string
C_INSTANCE	Instance Name	Any instance name	system_cache	string
C_FREQ	System Cache clock frequency	Any valid frequency for the device	0	natural
C_BASEADDR	Cacheable area base address		0xFFFFFFFF	std_logic_vector
C_HIGHADDR	Cacheable area high address. Minimum size is 32KB		0x00000000	std_logic_vector
C_ENABLE_COHERENCY	Enable implementation of cache coherent optimized ports	0, 1	0	natural

Table 4-1: System Cache I/O Interfaces (Cont'd)

Parameter Name	Feature/Description	Allowable Values	Default Value	VHDL Type
C_ENABLE_EXCLUSIVE	Enable implementation of exclusive monitor for non-coherent implementation	0, 1	0	natural
C_ENABLE_CTRL	Enable implementation of Statistics and Control function	0, 1	0	natural
C_ENABLE_STATISTICS	Bit mask for which statistics groups implemented when Control Interface is enabled: xxxx_xxx1 - Optimized Ports xxxx_xx1x - Generic Port xxxx_x1xx - Arbiter xxxx_1xxx - Access xxx1_xxxx - Lookup xx1x_xxxx - Update x1xx_xxxx - Backend 1xxx_xxxx - Reserved for future use	0 - 255	255	natural
C_ENABLE_VERSION_REGISTER	Level of Version Register to include: 0 - None 1 - Basic 2 - Full	0, 1, 2	0	natural
C_NUM_OPTIMIZED_PORTS	Number of ports optimized for MicroBlaze cache connection	0 - 8	1	natural
C_NUM_GENERIC_PORTS	Number of ports supporting AXI4	0, 1	0	natural
C_NUM_SETS	Cache associativity	2, 4	2	natural
C_CACHE_DATA_WIDTH	Cache data width used internally. Automatically calculated to match AXI4 master interface	32, 64, 128, 256, 512	32	natural
C_CACHE_LINE_LENGTH	Cache line length. Constant value.	16	16	natural
C_CACHE_SIZE	Cache size in bytes	32768, 65536, 131072, 262144, 524288	32768	natural
C_Lx_CACHE_LINE_LENGTH	Cache line length on masters connected to optimized ports. Automatically assigned with manual override	4, 8	4	natural
C_Lx_CACHE_SIZE	Cache size on masters connected to optimized ports. Automatically assigned with manual override	64, 128, 256, 512, 1024, 2048, 4096, 8192, 16384, 32768, 65536	1024	natural

Table 4-1: System Cache I/O Interfaces (Cont'd)

Parameter Name	Feature/Description	Allowable Values	Default Value	VHDL Type
MicroBlaze cache optimized AXI4 slave interface parameters				
C_Sx_AXI_ADDR_WIDTH ⁽¹⁾	Address width. Constant value.	32	32	natural
C_Sx_AXI_DATA_WIDTH ⁽¹⁾	Data width	32, 128, 256, 512	32	natural
C_Sx_AXI_ID_WIDTH ⁽¹⁾	ID width, automatically assigned	1 - 32	1	natural
Generic AXI4 slave interface parameters				
C_S0_AXI_GEN_ADDR_WIDTH	Address Width. Constant value.	32	32	natural
C_S0_AXI_GEN_DATA_WIDTH	Data Width	32, 64, 128, 256, 512	32	natural
C_S0_AXI_GEN_ID_WIDTH	ID width, automatically assigned	1 - 32	1	natural
Statistics and Control AXI4-Lite slave interface parameters				
C_S_AXI_CTRL_BASEADDR	Control area base address		0xFFFFFFFF	std_logic_vector
C_S_AXI_CTRL_HIGHADDR	Control area high address. Minimum size is 128KB		0x00000000	std_logic_vector
C_S_AXI_CTRL_ADDR_WIDTH	Address Width. Constant value.	32	32	natural
C_S_AXI_CTRL_DATA_WIDTH	Data Width. Constant value.	32	32	natural
Memory Controller AXI4 master interface parameters				
C_M_AXI_ADDR_WIDTH	Address Width. Constant value.	32	32	natural
C_M_AXI_DATA_WIDTH	Data Width	32, 128, 256, 512	32	natural
C_M_AXI_THREAD_ID_WIDTH	ID width. Automatically assigned with manual override	1 - 32	1	natural

1. x = 0 - 7

Output Generation

For details, see “Generating IP Output Products” in the *Vivado Design Suite User Guide: Designing with IP* (UG896) [Ref 4].

Constraining the Core

There are no core-specific constraints for the System Cache core.

Simulation

For comprehensive information about Vivado simulation components, as well as information about using supported third party tools, see the *Vivado Design Suite User Guide: Logic Simulation* (UG900) [\[Ref 6\]](#).

Synthesis and Implementation

For details about synthesis and implementation, see “Synthesizing IP” and “Implementing IP” in the *Vivado Design Suite User Guide: Designing with IP* (UG896) [Ref 4].

Migrating and Upgrading

This appendix contains information about migrating a design from ISE® to the Vivado® Design Suite, and for upgrading to a more recent version of the IP core. For customers upgrading in the Vivado Design Suite, important details (where applicable) about any port changes and other impact to user logic are included.

Migrating to the Vivado Design Suite

For information on migrating to the Vivado® Design Suite, see the *ISE to Vivado Design Suite Migration Guide* (UG911) [\[Ref 7\]](#).

Upgrading in the Vivado Design Suite

This section provides information about any changes to the user logic or port designations that take place when you upgrade to a more current version of this IP core in the Vivado Design Suite.

Functionality Changes

Version 1.01a, 1.01b and 1.01c

The following describe changes between the ISE version of the core and the current version.

The supported cache sizes has been increased to support 256KB and 512KB.

Hit and miss statistics are changed to be on a per port basis instead of total.

Added support for simultaneously ongoing read for each channel.

Version 2.00a and 3.0

Added cache coherency support on optimized ports.

Added statistics related to cache coherency.

Added optional exclusive monitor for non-coherent cache implementation.

Added version and cache maintenance registers.

Port and Parameter Changes

There are no port or parameter changes between this version of the core and the previous version.

Debugging

This appendix includes details about resources available on the Xilinx Support website and debugging tools.

Finding Help on Xilinx.com

To help in the design and debug process when using the System Cache, the [Xilinx Support web page](http://www.xilinx.com/support) (www.xilinx.com/support) contains key resources such as product documentation, release notes, answer records, information about known issues, and links for obtaining further product support.

Documentation

This product guide is the main document associated with the System Cache. This guide, along with documentation related to all products that aid in the design process, can be found on the Xilinx Support web page (www.xilinx.com/support) or by using the Xilinx Documentation Navigator.

Download the Xilinx Documentation Navigator from the Design Tools tab on the Downloads page (www.xilinx.com/download). For more information about this tool and the features available, open the online help after installation.

Answer Records

Answer Records include information about commonly encountered problems, helpful information on how to resolve these problems, and any known issues with a Xilinx product. Answer Records are created and maintained daily ensuring that users have access to the most accurate information available.

Answer Records for this core can be located by using the Search Support box on the main [Xilinx support web page](http://www.xilinx.com/support). To maximize your search results, use proper keywords such as

- Product name
- Tool message(s)
- Summary of the issue encountered

A filter search is available after results are returned to further target the results.

Master Answer Record for the System Cache

AR: [54452](#)

Contacting Technical Support

Xilinx provides technical support at www.xilinx.com/support for this LogiCORE™ IP product when used as described in the product documentation. Xilinx cannot guarantee timing, functionality, or support of product if implemented in devices that are not defined in the documentation, if customized beyond that allowed in the product documentation, or if changes are made to any section of the design labeled DO NOT MODIFY.

To contact Xilinx Technical Support:

1. Navigate to www.xilinx.com/support.
2. Open a WebCase by selecting the [WebCase](#) link located under Additional Resources.

When opening a WebCase, include:

- Target FPGA including package and speed grade.
- All applicable Xilinx Design Tools and simulator software versions.
- Additional files based on the specific issue might also be required. See the relevant sections in this debug guide for guidelines about which file(s) to include with the WebCase.

Note: Access to WebCase is not available in all cases. Login to the WebCase tool to see your specific support options.

Debug Tools

There are many tools available to address System Cache design issues. It is important to know which tools are useful for debugging various situations.

Vivado Lab Tools

Vivado® lab tools inserts logic analyzer and virtual I/O cores directly into your design. Vivado lab tools allow you to set trigger conditions to capture application and integrated block port signals in hardware. Captured signals can then be analyzed. This feature represents the functionality in the Vivado IDE that is used for logic debugging and validation of a design running in Xilinx devices in hardware.

The Vivado lab tools logic analyzer is used to interact with the logic debug LogiCORE IP cores, including:

- ILA 2.0 (and later versions)
- VIO 2.0 (and later versions)

See *Vivado Design Suite User Guide: Programming and Debugging* (UG908) [Ref 8].

Reference Boards

All Xilinx development boards for 7 series FPGAs support System Cache. These boards can be used to prototype designs and establish that the core can communicate with the system.

Simulation Debug

The simulation debug flow for Questa SIM is described below. A similar approach can be used with other simulators.

- Check for the latest supported versions of Questa SIM in the [Xilinx Design Tools: Release Notes Guide](#). Is this version being used? If not, update to this version.
- If using Verilog, do you have a mixed mode simulation license? If not, obtain a mixed-mode license.
- Ensure that the proper libraries are compiled and mapped. In Xilinx Platform Studio this is done within the tool using **Edit > Preferences > Simulation**, and in the Vivado Design Suite using **Flow > Simulation Settings**.
- Have you associated the intended software program for all connected MicroBlaze™ processor with the simulation? Use **Project > Select Elf File** in Xilinx Platform Studio to do this. Make sure to regenerate the simulation files with **Simulation > Generate Simulation HDL Files** afterwards. The equivalent command in the Vivado Design Suite is **Tools > Associate ELF Files**.
- When observing the traffic on any of the AXI4 interfaces connected to the System Cache core, see the *AMBA® AXI and ACE Protocol Specification* [Ref 1] for the AXI4 timing.

Hardware Debug

Hardware issues can range from link bring-up to problems seen after hours of testing. This section provides debug steps for common issues. The Vivado lab tools are a valuable

resource to use in hardware debug. The signal names mentioned in the following individual sections can be probed using the Vivado lab tools for debugging the specific problems.

General Checks

Ensure that all the timing constraints for the core were properly incorporated from the example design and that all constraints were met during implementation.

- Does it work in post-place and route timing simulation? If problems are seen in hardware but not in timing simulation, this could indicate a PCB issue. Ensure that all clock sources are active and clean.
- If using MMCMs in the design, ensure that all MMCMs have obtained lock by monitoring the `LOCKED` port.

AXI4 Checks

Either use bus analyzer or connect the relevant AXI4 signals to a logic analyzer in the Vivado lab tools. Make sure the data is captured with `ACLK`.

Interface Debug

Optimized AXI4 Interfaces

Only the number of ports specified by `C_NUM_OPTIMIZED_PORTS` are available. There are no registers to read, but basic functionality is tested by writing data and then reading it back. Output `S<x>_AXI_AWREADY` asserts when the write address is used, `S<x>_AXI_WREADY` asserts when the write data is used, and output `S<x>_AXI_BVALID` asserts when the write response is valid. Output `S<x>_AXI_ARREADY` asserts when the read address is used, and output `S<x>_AXI_RVALID` asserts when the read data/response is valid. If the interface is unresponsive, ensure that the following conditions are met:

- The `ACLK` input is connected and toggling.
- The interface is not being held in reset, and `ARESETN` is an active-Low reset.
- Make sure the accessed Optimized port is activated.
- If the simulation has been run, verify in simulation and/or a Vivado lab tools debugging tool capture that the waveform is correct for accessing the AXI4 interface.

Generic AXI4 Interfaces

The Generic ports is only available when `C_NUM_GENERIC_PORTS` is set to one. There are no registers to read, but basic functionality is tested by writing data and then reading it

back. Output `S0_AXI_GEN_AWREADY` asserts when the write address is used, `S0_AXI_GEN_WREADY` asserts when the write data is used, and output `S0_AXI_GEN_BVALID` asserts when the write response is valid. Output `S0_AXI_GEN_ARREADY` asserts when the read address is used, and output `S0_AXI_GEN_RVALID` asserts when the read data/response is valid. If the interface is unresponsive, ensure that the following conditions are met:

- The `ACLK` input is connected and toggling.
- The interface is not being held in reset, and `ARESETN` is an active-Low reset.
- Make sure the Generic port is activated.
- If the simulation has been run, verify in simulation and/or a Vivado lab tools debugging tool capture that the waveform is correct for accessing the AXI4 interface.

AXI4-Lite Interfaces

The AXI4-Lite interface is only available when the Control interface is enabled with `C_ENABLE_CTRL`. Read from a register that does not have all 0s as a default to verify that the interface is functional. Output `S_AXI_CTRL_ARREADY` asserts when the read address is used, and output `S_AXI_CTRL_RVALID` asserts when the read data/response is valid. If the interface is unresponsive, ensure that the following conditions are met:

- The `ACLK` input is connected and toggling.
- The interface is not being held in reset, and `ARESETN` is an active-Low reset.
- If the simulation has been run, verify in simulation and/or a Vivado lab tools debugging tool capture that the waveform is correct for accessing the AXI4-Lite interface.

Additional Resources

Xilinx Resources

For support resources such as Answers, Documentation, Downloads, and Forums, see the Xilinx Support website at:

www.xilinx.com/support.

For a glossary of technical terms used in Xilinx documentation, see:

www.xilinx.com/company/terms.htm.

References

These documents provide supplemental material useful with this product guide:

1. AMBA® AXI and ACE Protocol Specification ([ARM IHI 0022D](#))
2. AMBA® 4 AXI4-Stream Protocol Specification v1.0 ([ARM IHI 0051A](#))
3. *Vivado Design Suite User Guide: Designing IP Subsystems using IP Integrator* ([UG994](#))
4. *Vivado Design Suite User Guide: Designing with IP* ([UG896](#))
5. *Vivado Design Suite User Guide: Getting Started* ([UG910](#))
6. *Vivado Design Suite User Guide - Logic Simulation* ([UG900](#))
7. *ISE to Vivado Design Suite Migration Guide* ([UG911](#))
8. *Vivado Design Suite User Guide: Programming and Debugging* ([UG908](#))

Revision History

The following table shows the revision history for this document.

Date	Version	Revision
03/20/2013	1.0	Initial release as a Product Guide; replaces PG031. No documentation changes for this release.
10/02/2013	3.0	<ul style="list-style-type: none"> • Revision number advanced to 3.0 to align with core version number. • Description of new reset behavior • Resource tables updated • Updated latency number for write transactions

Notice of Disclaimer

The information disclosed to you hereunder (the "Materials") is provided solely for the selection and use of Xilinx products. To the maximum extent permitted by applicable law: (1) Materials are made available "AS IS" and with all faults, Xilinx hereby DISCLAIMS ALL WARRANTIES AND CONDITIONS, EXPRESS, IMPLIED, OR STATUTORY, INCLUDING BUT NOT LIMITED TO WARRANTIES OF MERCHANTABILITY, NON-INFRINGEMENT, OR FITNESS FOR ANY PARTICULAR PURPOSE; and (2) Xilinx shall not be liable (whether in contract or tort, including negligence, or under any other theory of liability) for any loss or damage of any kind or nature related to, arising under, or in connection with, the Materials (including your use of the Materials), including for any direct, indirect, special, incidental, or consequential loss or damage (including loss of data, profits, goodwill, or any type of loss or damage suffered as a result of any action brought by a third party) even if such damage or loss was reasonably foreseeable or Xilinx had been advised of the possibility of the same. Xilinx assumes no obligation to correct any errors contained in the Materials or to notify you of updates to the Materials or to product specifications. You may not reproduce, modify, distribute, or publicly display the Materials without prior written consent. Certain products are subject to the terms and conditions of the Limited Warranties which can be viewed at <http://www.xilinx.com/warranty.htm>; IP cores may be subject to warranty and support terms contained in a license issued to you by Xilinx. Xilinx products are not designed or intended to be fail-safe or for use in any application requiring fail-safe performance; you assume sole risk and liability for use of Xilinx products in Critical Applications: <http://www.xilinx.com/warranty.htm#critapps>.

Automotive Applications Disclaimer

XILINX PRODUCTS ARE NOT DESIGNED OR INTENDED TO BE FAIL-SAFE, OR FOR USE IN ANY APPLICATION REQUIRING FAIL-SAFE PERFORMANCE, SUCH AS APPLICATIONS RELATED TO: (I) THE DEPLOYMENT OF AIRBAGS, (II) CONTROL OF A VEHICLE, UNLESS THERE IS A FAIL-SAFE OR REDUNDANCY FEATURE (WHICH DOES NOT INCLUDE USE OF SOFTWARE IN THE XILINX DEVICE TO IMPLEMENT THE REDUNDANCY) AND A WARNING SIGNAL UPON FAILURE TO THE OPERATOR, OR (III) USES THAT COULD LEAD TO DEATH OR PERSONAL INJURY. CUSTOMER ASSUMES THE SOLE RISK AND LIABILITY OF ANY USE OF XILINX PRODUCTS IN SUCH APPLICATIONS.

© Copyright 2013 Xilinx, Inc. Xilinx, the Xilinx logo, Artix, ISE, Kintex, Spartan, Virtex, Vivado, Zynq, and other designated brands included herein are trademarks of Xilinx in the United States and other countries. AMBA, AMBA Designer, ARM, ARM1176JZ-S, CoreSight, Cortex, and PrimeCell are trademarks of ARM in the EU and other countries. All other trademarks are the property of their respective owners.