

# **Video In to AXI4-Stream v4.0**

## ***LogiCORE IP Product Guide***

**Vivado Design Suite**

**PG043 March 17, 2021**



# Table of Contents

## IP Facts

### Chapter 1: Overview

Feature Summary .....	7
Applications .....	7
Licensing and Ordering .....	7

### Chapter 2: Product Specification

Standards .....	8
Performance .....	8
Resource Utilization .....	9
Core Interfaces .....	9

### Chapter 3: Designing with the Core

General Design Guidelines .....	17
System Considerations .....	19
Interlaced Operation .....	20
Module Descriptions .....	23

### Chapter 4: Design Flow Steps

Customizing and Generating the Core .....	25
Constraining the Core .....	27
Simulation .....	28
Synthesis and Implementation .....	28

### Chapter 5: Example Design

### Appendix 1: Verification, Compliance, and Interoperability

Simulation .....	30
Hardware Testing .....	30
Interoperability .....	30

## Appendix 2: Upgrading

Migrating to the Vivado Design Suite . . . . .	31
Upgrading in Vivado Design Suite. . . . .	31

## Appendix 3: Debugging

Finding Help on Xilinx.com . . . . .	33
Debug Tools . . . . .	34
Hardware Debug . . . . .	35
Interface Debug . . . . .	35

## Appendix 4: Additional Resources and Legal Notices

Xilinx Resources . . . . .	37
Documentation Navigator and Design Hubs . . . . .	37
References . . . . .	37
Revision History . . . . .	38
Please Read: Important Legal Notices . . . . .	39

## Introduction

The Xilinx® LogiCORE™ IP Video In to AXI4-Stream v4.0 Video In to AXI4-Stream v4.0 core is designed to interface from a video source (clocked parallel video data with synchronization signals - active video with either syncs, blanks or both) to the AXI4-Stream Video Protocol Interface. This core works with the timing detector portion of the Xilinx Video Timing Controller (VTC) core. This core provides a bridge between a video input and video processing cores with AXI4-Stream Video Protocol interfaces.

## Features

- Video input (clocked parallel video data with synchronization signals - active video with either syncs, blanks or both)
- AXI4-Stream master interface
- Interface to Xilinx Video Timing Controller core for video timing detection
- Support for common or independent clock modes between AXI4-Stream and video clock domains
- Selectable FIFO depth from 32–8192 locations
- Selectable input data width of 8–256 bits
- Support for interlaced operation
- Component width conversion for 8, 10, 12, and 16 bits

LogiCORE IP Facts Table	
<b>Core Specifics</b>	
Supported Device Family <sup>(1)</sup>	UltraScale+™ Families, UltraScale™ Architecture, Zynq® -7000, 7 Series
Supported User Interfaces	AXI4-Stream <sup>(2)</sup>
Resources	<a href="#">Performance and Resource Utilization web page</a>
<b>Provided with Core</b>	
Documentation	Product Guide
Design Files	Verilog Source Code
Example Design	Provided Separately <sup>(3)</sup> See XAPP521 <a href="#">[Ref 3]</a> and XAPP721 <a href="#">[Ref 4]</a>
Test Bench	Verilog
Constraints File	XDC
Simulation Models	Verilog Source Code
Supported Software Drivers	N/A
<b>Tested Design Flows</b>	
Design Entry Tools	Vivado® Design Suite
Simulation <sup>(4)</sup>	For supported simulators, see the <a href="#">Xilinx Design Tools: Release Notes Guide</a> .
Synthesis Tools	Vivado Synthesis
<b>Support</b>	
Release Notes and Known Issues	Master Answer Record: <a href="#">54538</a>
All Vivado IP Change Logs	Master Vivado IP Change Logs: <a href="#">72775</a>
<a href="#">Xilinx Support web page</a>	

**Notes:**

1. For a complete listing of supported devices, see the Vivado IP Catalog.
2. Video protocol as defined in the *Video IP: AXI Feature Adoption* section of (UG761) *AXI Reference Guide* [\[Ref 5\]](#).
3. Example designs are provided in FPGA device-specific application notes
4. For the supported versions of the tools, see the [Xilinx Design Tools: Release Notes Guide](#).

## Overview

Many Xilinx<sup>®</sup> video processing cores utilize the AXI4-Stream video protocol to transfer video between cores. Between systems, video is commonly transmitted with explicit blanking and sync signals for horizontal and vertical timing, and a data valid signal. Digital visual interface (DVI) is an example of such a transmission mode. The Video In to AXI4-Stream core converts incoming video with explicit sync and timing to the AXI4-Stream Video protocol to interface with Xilinx video processing cores that use this protocol.

The Video In to AXI4-Stream core accepts video inputs. For this document, video is defined as parallel video data with a pixel clock and one of the following sets of timing signals:

- Vsync, Hsync, and Data Valid
- Vblank, Hblank, and Data Valid
- Vsync, Hsync, Vbank, Hblank, and Data Valid

Any of these sets of signals is sufficient for the operation of the Video In to AXI4-Stream core. The particular choice is important to the Video Timing Controller (VTC) detector, so you should specify the set of timing signals when you generate the VTC core. The output side of the core is an AXI4-Stream interface in master mode. This interface consists of parallel video data, `tdata`, handshaking signals `tvalid` and `tready`, and two flags, `tlast` and `tuser`, which identify certain pixels in the video stream. The flag `tlast` designates the last valid pixel of each line, and is also known as end of line (EOL). The flag `tuser` designates the first valid pixel of a frame, and is known as start of frame (SOF). These two flags are necessary to identify pixel locations on the AXI4 stream bus because there are no sync or blank signals. Only active pixels are carried on the bus. The *Video IP: AXI Feature Adoption* section of the *AXI Reference Guide* [Ref 5] describes the video over AXI4 Stream Video protocol in detail.

A block diagram of a Video In to AXI4-Stream core with a video timing generator is shown in [Figure 1-1](#).

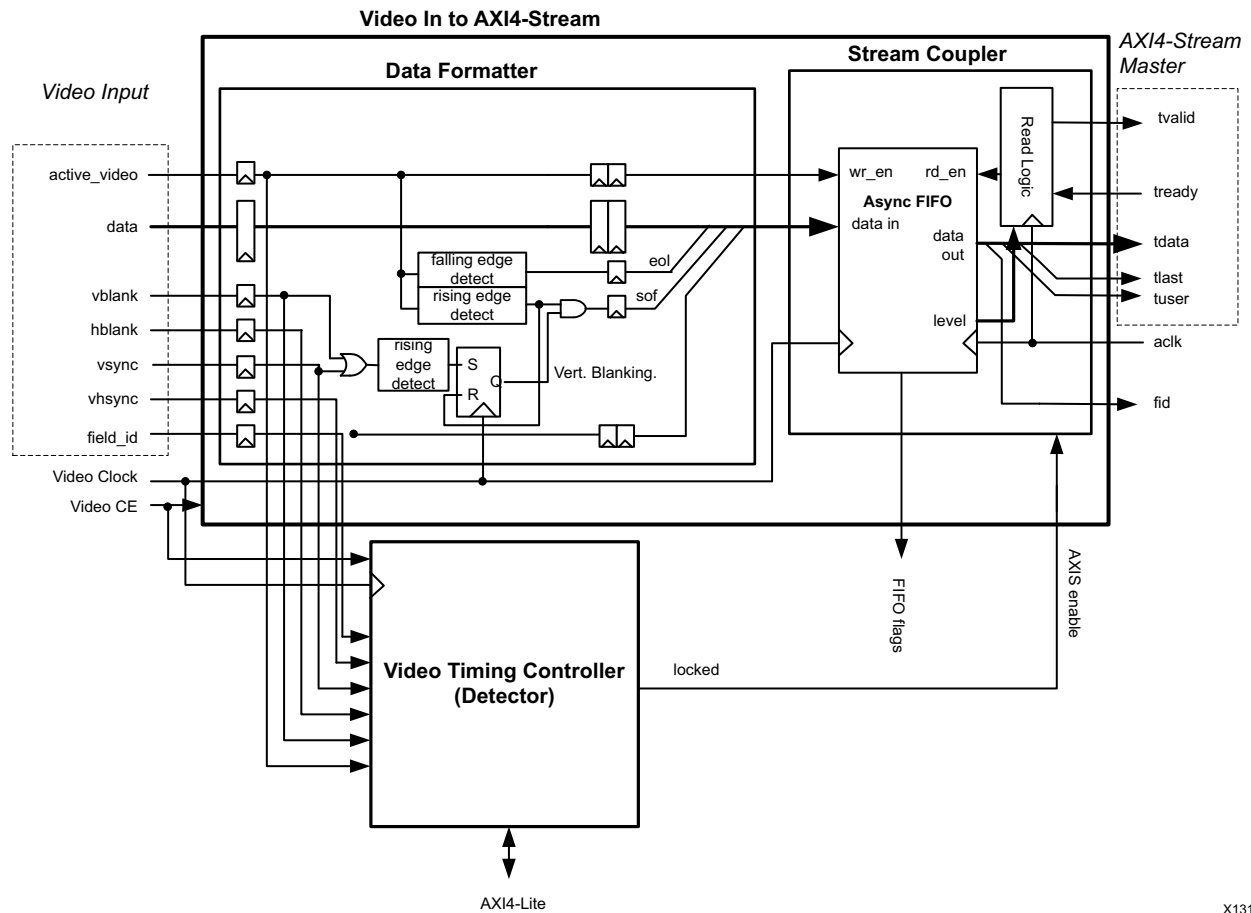


Figure 1-1: Block Diagram of Video In to AXI4-Stream Core with the Video Timing Controller

The core is designed to be used in parallel with the detector functionality of the VTC. The video timing detector detects the line standard of the incoming video, and makes the detected timing values, such as the number of active pixels per line and the number of active lines available to video processing cores downstream of the Video In to AXI4-Stream core via an AXI4-Lite interface. It is recommended to connect the “locked” status output of the video timing detector to the `axis_enable` input of the Video In to AXI4-Stream core in order to inhibit the AXI4-Stream bus when the video input is missing or unstable. The detector locked indicator from the Video Timing Controller is bit 8 of the `INTC_if` register.

**Note:** When the video clock is not present, for example, when an input cable is unplugged. Ensure to reset the VTC and Video In to AXI4-Stream cores. If these cores are not reset, locked signal goes high and it might allow partial frames down stream. Therefore, Xilinx recommends that you reset the VTC and Video In to AXI4-Stream cores when the video clock is not available.

---

## Feature Summary

The Video In to AXI4-Stream core converts a video input, consisting of parallel video data, video syncs, blanks and data valid, to an AXI4-Stream master bus that follows the AXI4-Stream Video protocol. The core provides a pass-thru of all timing signals for the Xilinx video timing controller, although the signals for the Video timing Controller are not required to pass through the Video In to AXI4 Stream core.

The core handles the asynchronous clock boundary crossing between the video clock domain and the AXI4-Stream clock domain. The data width is selectable from 8 to 256 depending on the number of components required for the video format, the number of bits per component, and the number of pixels per clock. Interlaced operation is supported. There is an input FIFO with selectable depth from 32 to 8192 locations.

---

## Applications

- Video input to AXI4-Stream Video Protocol interface for parallel, clocked video sources:
  - DVI
  - HDMI
  - Image Sensors
  - Other clocked, parallel video sources

---

## Licensing and Ordering

This Xilinx LogiCORE IP module is provided at no additional cost with the Xilinx Vivado Design Suite under the terms of the [Xilinx End User License](#). Information about other Xilinx LogiCORE IP modules is available at the [Xilinx Intellectual Property](#) page. For information about pricing and availability of other Xilinx LogiCORE IP modules and tools, contact your [local Xilinx sales representative](#).

# Product Specification

---

## Standards

The Video In to AXI4-Stream v4.0 core is compliant with the AXI4-Stream Video Protocol. Refer to the *Video IP: AXI Feature Adoption* section of the *Vivado AXI Reference Guide* (UG1037) [Ref 5] for additional information.

---

## Performance

The following sections detail the performance characteristics of the Video In to AXI4-Stream v4.0 core.

### Maximum Frequencies

This section contains typical clock frequencies for the target devices. The maximum achievable clock frequency can vary. The maximum achievable clock frequency and all resource counts can be affected by other tool options, additional logic in the FPGA device, using a different version of Xilinx tools and other factors.

### Latency

When the downstream processing block on the AXI4-Stream bus can take data at the pixel rate or faster, the typical latency through the Video In to AXI4-Stream v4.0 core is 6 cycles of `vid_io_in_clk` + 3 cycles of `aclk`.

If the downstream block takes pixels at a slower rate, the FIFO is used to balance the mismatch in the input and output rates over the course of lines and frames. This storage of pixels in the FIFO adds to the latency and varies according to the data flow in and out of the core.

### Throughput

The average data rates of active pixels on the AXI4-Stream interface matches the average rate of active pixels in on the Video bus. However, the clock rates of the input and output



need not match. Because the AXI4-Stream bus does not carry blank pixels, the clock rate can be lower than the video clock rate and still have sufficient bandwidth to meet the average rate requirement. Additional FIFO depth is required to smooth the mismatch in instantaneous rates. Both the input video pixel clock ( $F_{vclk}$ ) and the rate of the AXI4-Stream Clock ( $F_{aclk}$ ) are limited by the overall  $F_{max}$ .

If  $F_{aclk}$  is equal to or greater than  $F_{vclk}$ , only the minimum buffer size (32 locations) is required. This assumes that the cores connected downstream of the Video In to AXI4-Stream core can sink data at the full video rate. For example, the downstream core can accept data in a virtually continuous stream with gaps occurring only following `EOL`, and each line consecutively with line gaps only preceding `SOE`. In this scenario, the FIFO empties after the `EOL` on each line.

If  $F_{aclk}$  is less than  $F_{vclk}$ , additional buffering is required. The FIFO must be large enough to handle the differential in the rate that pixels are coming in on the video clock, and the slower rate that they can go out on the AXI4-Stream bus using `aclk`. For `aclk` frequencies above the line average but below that of `vclk`, the input FIFO depth must be:

$$\text{FIFO depth min} = 32 + \text{Active Pixels} * F_{vclk}/F_{aclk}$$

If the downstream processing core accepts data at a lower rate than the `aclk`, additional buffering is required in an amount sufficient to prevent the FIFO from overflowing during frame transmission.

---

## Resource Utilization

For details about resource utilization, visit [Performance and Resource Utilization](#).

---

## Core Interfaces

### Port Descriptions

The Video In to AXI4-Stream v4.0 core uses industry-standard control and data interfaces to connect to other system components. The following sections describe the various interfaces available with the core. [Figure 2-1](#) illustrates an I/O diagram of the Video In to AXI4-Stream v4.0 core. Not all of the timing signals are required by this core, however it also passes these signals to a Xilinx Video Timing Controller which, depending on its configuration, may require certain signals. Therefore all timing signals are present. For the Video In to AXI4 Stream core, the data valid is always required. Also, either a vertical sync or a vertical blank input is required.

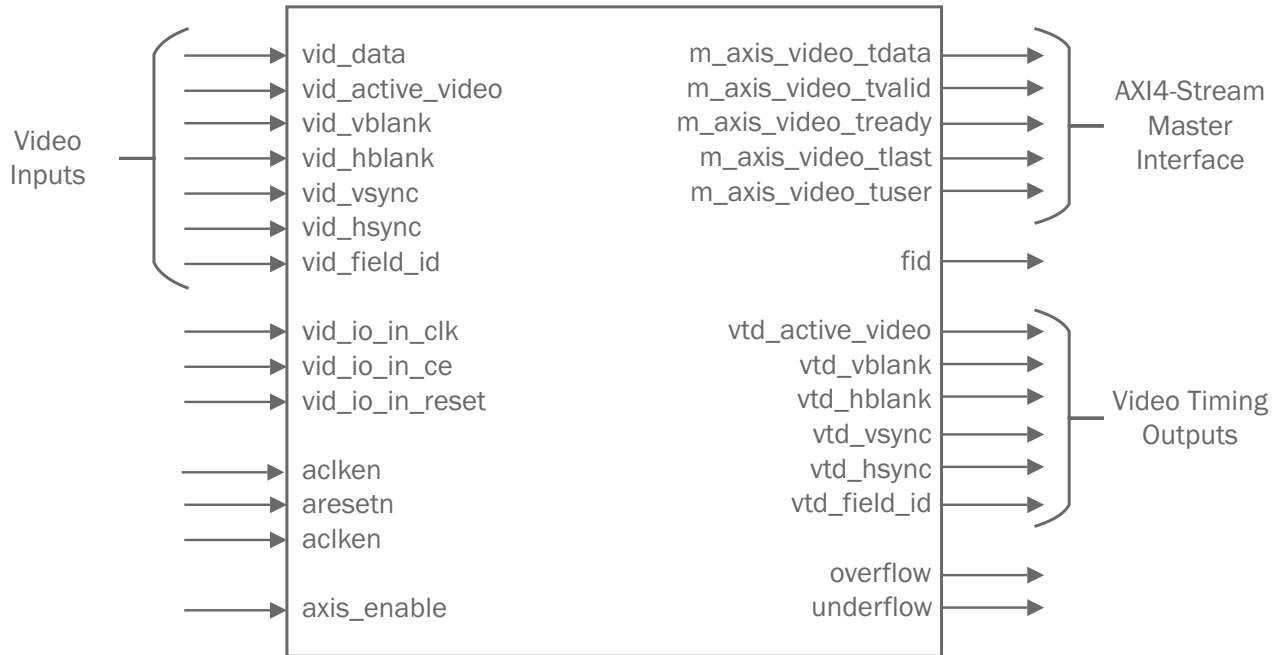


Figure 2-1: Video In to AXI4-Stream Core Top-Level Signaling Interface

## Common Interface

Table 2-1: Port Name I/O Width Description

Signal Name	Direction	Width	Description
aclk	Input	1	AXI4-Stream ACLK.
aclken	Input	1	AXI4-Stream ACLKEN. Active-High.
aresetn	Input	1	AXI4-Stream ARESETN. Active-Low. Synchronous to ACLK.
axis_enable	Input	1	This input should be connected to the VTC detector locked status and is synchronous to vid_io_in_clk. 1 = Enable writes into FIFO 0 = Disable writes into FIFO
fid	Output	1	Field-ID for AXI4-Stream bus. Used only for interlaced video: 0=even field, 1=odd field. This bit changes coincident with SOF on the AXI4-Stream bus. It should be connected to the field-ID bit of the next device downstream that is field-aware, otherwise it should be left unconnected. Synchronous to aclk.
vid_io_in_clk	Input	1	Native video clock. Only available in independent clock mode.
vid_io_in_ce	Input	1	Native video clock enable
vid_io_in_reset	Input	1	Native video clock domain reset. Synchronous to vid_io_in_clk. Only available in independent clock mode. Active-High.

Table 2-1: Port Name I/O Width Description (Cont'd)

Signal Name	Direction	Width	Description
overflow	Output	1	Flag indicating that the FIFO has over-flowed. Synchronous to vid_io_in_clk. If an overflow occurs, this could indicate that the connected AXI4-Stream Slave is creating excessive back-pressure.
underflow	Output	1	Flag indicating that the FIFO has under-flowed. This should never occur under normal operation. Synchronous to aclk.

### **ACLK**

The AXI4-Stream output signals are synchronous to the clock signal `ACLK`. AXI4-Stream signals are sampled on the rising edge of `ACLK`. AXI4-Stream output signal changes occur after the rising edge of `ACLK`.

### **ACLKEN**

The `ACLKEN` pin is an active-High, synchronous clock-enable input pertaining to the AXI4-Stream interface. Setting `ACLKEN` Low (deasserted) halts the operation of the AXI4-Stream Bus despite rising edges on the `ACLK` pin. Internal states are maintained, and output signal levels are held until `ACLKEN` is asserted again. When `ACLKEN` is deasserted, core AXI4-Stream inputs are not sampled, except `ARESETn`, which supersedes `ACLKEN`.

### **ARESETn**

The `ARESETN` pin is an active-Low reset, which is synchronous to the `ACLK` domain. When the bridge is in independent clock mode, this reset is used to reset the AXI4-Stream input side of the video bridge including the internal FIFO. Asserting either this reset causes the internal FIFO to be reset. In common clock mode this reset is used to reset the entire bridge.

### **Video Clock**

The video input interface and video timing interface must be synchronous to `vid_io_in_clk`.

### **Video Clock Enable**

The input signal `vid_io_in_ce` controls the clock enable of all registers in the video clock domain. This signal is typically used when the video clock domain is clocked at a higher rate than the video timing standard.

### **Video Reset**

The video reset signal `vid_io_in_reset` signal is only available when the core is configured in independent clock mode. This active-High signal is synchronous to

`vid_io_in_clk` and is used to reset the input side of the bridge. Asserting either this reset or `aresetn` causes the internal FIFO to be reset.

## Video Timing Interface

Table 2-2: Port Name I/O Width Description

Signal Name	Direction	Width	Description
<code>vtd_vsync</code>	Out	1	Vertical sync video timing signal.
<code>vtd_hsync</code>	Out	1	Horizontal sync video timing signal.
<code>vtd_vblank</code>	Out	1	Vertical blank video timing signal.
<code>vtd_hblank</code>	Out	1	Horizontal blank video timing signal.
<code>vtd_active_video</code>	Out	1	Active video flag. 1 = active video, 0 = blanked video
<code>vtd_field_id</code>	Out	1	VTC field ID. 0= even field, 1= odd field.

## Video Input Interface

The Video In to AXI4-Stream core receives standard video data using the Video Input interface and transmits data using AXI4-Stream interfaces that implement a video protocol. See the *AXI Reference Guide* (UG761) [Ref 5] for more information.

Table 2-3: Port Name I/O Width Description

Signal Name	Direction	Width	Description
<code>vid_active_video</code>	In	1	Video data valid. 1 = active video, 0 = blanked video
<code>vid_vsync</code>	In	1	Vertical sync video timing signal. Active-High
<code>vid_hsync</code>	In	1	Horizontal sync video timing signal. Active-High
<code>vid_vblank</code>	In	1	Vertical blank video timing signal. Active-High
<code>vid_hblank</code>	In	1	Horizontal blank video timing signal. Active-High
<code>vid_data</code>	In	8-256	Parallel video input data.
<code>vid_field_id</code>	In	1	Video field. Used only for interlace. 0= even field, 1= odd field. Tie LOW for non-interlace operation. Synchronous to <code>vid_io_in_clk</code> .

## AXI4-Stream Interface

Table 2-4 describes the AXI4-Stream signal names and descriptions. See *AXI4-Stream Video IP and System Design Guide* (UG934) [Ref 13] for more information.

Table 2-4: AXI4-Stream Data Interface Signal Descriptions

Signal Name	Direction	Width	Description
m_axis_video_tvalid	Output	1	AXI4-Stream TVALID. Active video data enable
m_axis_video_tdata	Output	1	AXI4-Stream TDATA. Video data
m_axis_video_tuser	Output	1	AXI4-Stream TUSER. Start of Frame
m_axis_video_tlast	Output	1	AXI4-Stream TLAST. End of Line
m_axis_video_tready	Input	1	AXI4-Stream TREADY. Slave Ready

### Video Data

The AXI4-Stream interface specification restricts TDATA widths to integer multiples of 8 bits. Therefore, if video data widths are not an integer multiple of 8, data must be padded with zeros on the MSB to form an N\*8-bit wide vector before connecting to m\_axis\_video\_tdata. Padding does not affect the size of the core.

Similarly, data on the Video in to AXI4-Stream output m\_axis\_video\_tdata is packed and padded to multiples of 8 bits as necessary. Figure 2-2 shows an example of this for 12-bit RGB data for one pixel per clock. For multiple pixels per clock, the pixels are packed together and packed to multiples of 8 bits as necessary. Figure <new figure> shows an example of three pixels per clock with 12-bit per component RGB data. Although this is the expected packing, the core itself does not parse the data. In other words, the AXI4-Stream output will be the video input padded to a multiple of 8 bits.

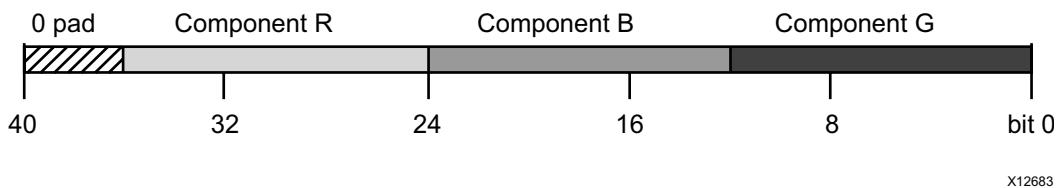


Figure 2-2: RGB Data Encoding on m\_axis\_video\_tdata

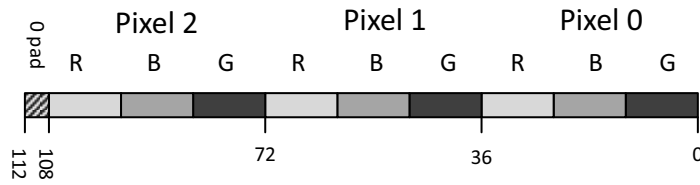


Figure 2-3: Three Pixels per Clock Format on m\_axis\_video\_tdata.

The bridge is also able to perform component width conversion from the input to output for any combination of width including: 8, 10, 12, and 16 bit. The example shown in Figure 2-4 illustrates trimming the component width from 12 bits on AXI4-Stream input to 8 bits on the Video output. The four LSB's of each component are trimmed and the remaining data is packed onto the output video bus.

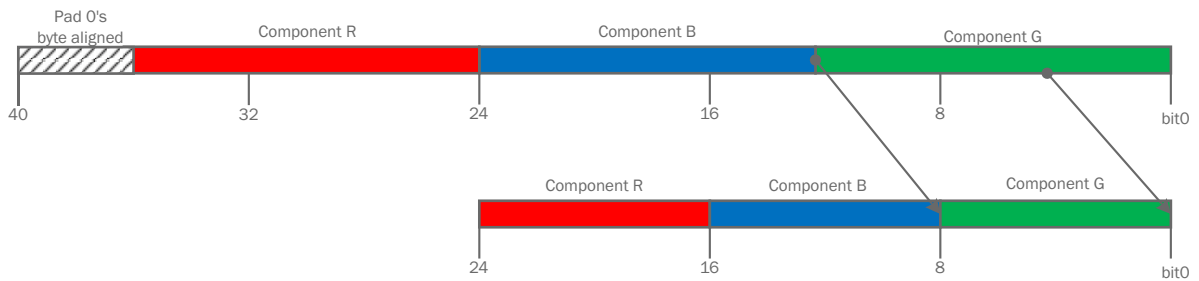


Figure 2-4: Component Width Trimming from AXI4-Stream input to Video Output (12b to 8b)

The example shown in Figure 2-5 illustrates padding the component width from 8 bits on AXI4-Stream to 12 bits on the Video output. The four LSB's on the output of each component are padded to zeros and the upper MSB's are mapped onto the bus from the AXI4-Stream input.

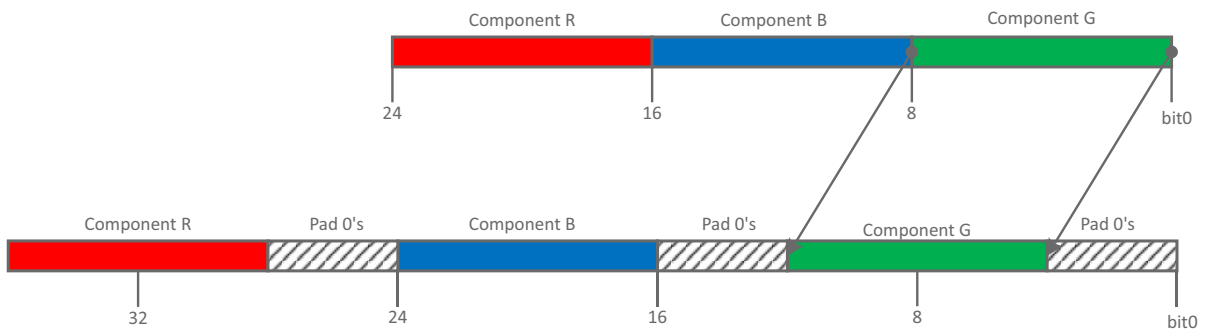


Figure 2-5: Component Width Padding from AXI4-Stream input to Video Output (8b to 12b)

### READY/VALID Handshake

A valid transfer occurs whenever `READY`, `VALID`, `ACLKEN`, and `ARESETn` are high at the rising edge of `ACLK`. During valid transfers, `DATA` only carries active video data. Blank periods and ancillary data packets are not transferred via the AXI4-Stream Video protocol.

### Driving `m_axis_video_tready`

The `m_axis_video_tready` signal can be asserted before, during, or after the cycle in which the Video in to AXI4-Stream core asserted `m_axis_video_tvalid`. The assertion of `m_axis_video_tready` may be dependent on the value of `m_axis_video_tvalid`. A slave that can immediately accept data qualified by `m_axis_video_tvalid` should preassert its `m_axis_video_tready` signal until data is received. Alternatively, `m_axis_video_tready` can be registered and driven the cycle following `VALID` assertion. It is recommended that the AXI4-Stream slave should drive `READY` independently, or pre-assert `READY` to minimize latency.

### SOF - `m_axis_video_tuser`

The `SOF` signal, physically transmitted over the AXI4-Stream `tuser` signal, marks the first pixel of a video frame. The `SOF` pulse is 1 valid transaction wide, and must coincide with the first pixel of the frame. `SOF` serves as a frame synchronization signal, which allows downstream cores to re-initialize, and detect the first pixel of a frame. The `SOF` signal may be asserted an arbitrary number of `aclk` cycles before the first pixel value is presented on `tdata`, as long as a `tvalid` is not asserted.

### EOL Signal - `m_axis_video_tlast`

The `EOL` signal, physically transmitted over the AXI4-Stream `tlast` signal, marks the last pixel of a line. The `EOL` pulse is 1 valid transaction wide, and must coincide with the last pixel of a scanline, as seen in Figure 2-6.

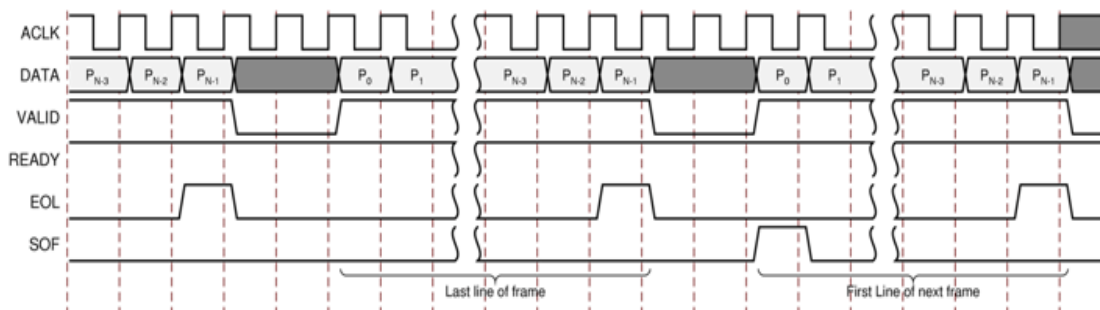


Figure 2-6: Use of EOL and SOF Signals

**Note:** No reorganization of the data bus occurs inside the IP, the output of the pixel components (RGB,YUV) will be in the same order as the input. For more details on AXI Stream output and component ordering, AXI4-Stream Video IP and System Design Guide UG934 [\[Ref 13\]](#).



# Designing with the Core

---

## General Design Guidelines

The video inputs of the Video In to AXI4 Stream core should be connected to the input video source; for example, a DVI interface chip that produces parallel video data and timing signals. Not all of the timing signals are required by this core. However, the core passes these signals to a Xilinx Video Timing Controller which, depending on its configuration, may require certain timing signals. Use the set of timing signals required by the VTC detector. See the *Video Timing Controller Product Guide* (PG016) [Ref 9] for more details. For the Video In to AXI4 Stream core, the data valid (vid\_active\_video) signal is always required. Also, either a vertical sync or a vertical blank input is required.

The main output of the core is a master AXI4-Stream bus that connects to downstream video processing blocks as shown in [Figure 3-1](#). The master and slave interfaces share a common clock, reset, and clock enable.

As shown in [Figure 3-1](#), the Video In to AXI4 Stream Core is generally used in conjunction with the Video Timing Controller, which detects the video timing parameters used by downstream processing blocks.

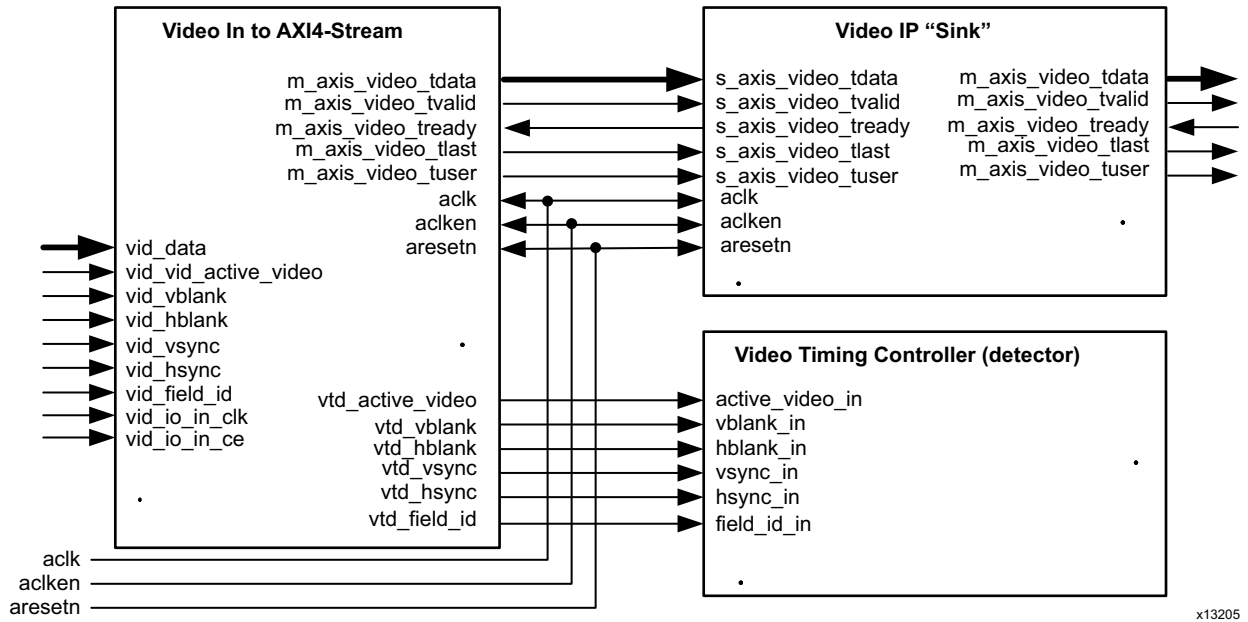


Figure 3-1: Video In to AXI4-Stream Connectivity

## Clocking

There are two clocking modes used by the Video In to AXI4-Streambridge, either common (synchronous) or independent (asynchronous). The common clocking mode is used when the native and AXI4-Stream sides of the bridge are running from a common synchronous clock. The common clocking mode disables the clock domain crossing logic in the internal FIFO, therefore saving resources. The independent clocking mode is used when the bridge requires asynchronous and independent clocks for the native and AXI4-Stream sides of the bridge.

The video input clock corresponds to the video line standard used on the input. It is part of the video line standard and is used by both the Video In to AXI4-Stream core and by the corresponding Video Timing Controller core that is used to detect video timing.

The AXI4-Stream clock (`aclk`) is part of the AXI4-Stream bus. To minimize buffering requirements, this clock should be of equal or higher frequency than the video input clock. This clock can be slower than the video input clock, in which case, additional buffering is required to store pixels so that lines can be input at the burst rate of the video clock. This is discussed in the [Buffer Requirements](#) section. At a minimum, the `aclk` frequency must be higher than the average pixel rate.

## Resets

When the core is in common clock mode, there is only a single reset input port `aresetn` that is used to reset both the AXI4-Stream output and Video input sides of the bridge. In independent clock mode, an additional reset port `vid_io_in_reset` is used to reset the

Video output side of the bridge. To reset the entire core in independent clock mode, both resets must be asserted. In independent clock mode, both resets are OR'ed together and synchronized for the purpose of resetting the FIFO; therefore, asserting either reset causes the FIFO to be flushed. Resets must be synchronous to their respective clock domains. The bridge requires that resets be externally synchronized to the destination clock domain as necessary to avoid metastability. When asserted, the reset should be held for at least two clock periods of the lowest frequency clock.

---

## System Considerations

### Buffer Requirements

The FIFO depth is selectable via the GUI when the core is generated. The buffering requirement for the asynchronous FIFO depends mainly on the relative frequency of the AXI4-Stream clock ( $aclk$ ) to the video clock ( $vid\_io\_in\_clk$ ) frequency, and the line standard used.

If the frequency of the AXI4-Stream clock ( $F_{aclk}$ ) is equal to or greater than the frequency of the Video input pixel clock ( $F_{vclk}$ ), only the minimum buffer size (32 locations) is required. This assumes that the cores connected downstream of the Video In to AXI4-Stream core can sink data at the full video rate. For example, the downstream core can accept data in a virtually continuous stream with gaps occurring only following `EOL`, and each line consecutively with line gaps only preceding `SOF`. In this scenario, the FIFO empties after the `EOL` on each line.

If  $F_{aclk}$  is less than  $F_{vclk}$ , additional buffering may be required. The FIFO must store enough pixels to supply them continuously throughout the active line. Due to phasing requirements, the horizontal active period on the output could overlap the effective blanking period of pixels coming in from the AXI4-Stream bus. This means that the input FIFO must also be large enough to provide output pixels continuously during this time.

For AXI4-Stream clock frequencies above the line average but below that of the video input pixel clock, the minimum FIFO initial fill level must be:

$$\text{FIFO depth min.} = 32 + \text{Active Pixels} * F_{vclk}/F_{aclk}$$

If the downstream processing core accepts data at a lower rate than the AXI4-Stream clock, additional buffering is required in an amount sufficient to prevent the FIFO from overflowing during the course of a frame.

## Interlaced Operation

To support standard definition video input such as PAL and NTSC, the Video In to AXI4-Stream core supports interlace on the video (with timing) side, the video input has a `vid_field_id` bit as part of its interface and embedded vertical blanks and horizontal blanks. The VTC has a corresponding `vid_field_id` pin defined for this purpose.

Figure 3-2 shows the interfaces on Video In to AXI4-Stream, AXI4-Stream to Video Out, and VTC cores to support the video field ID with the interlace-related signals highlighted in red.

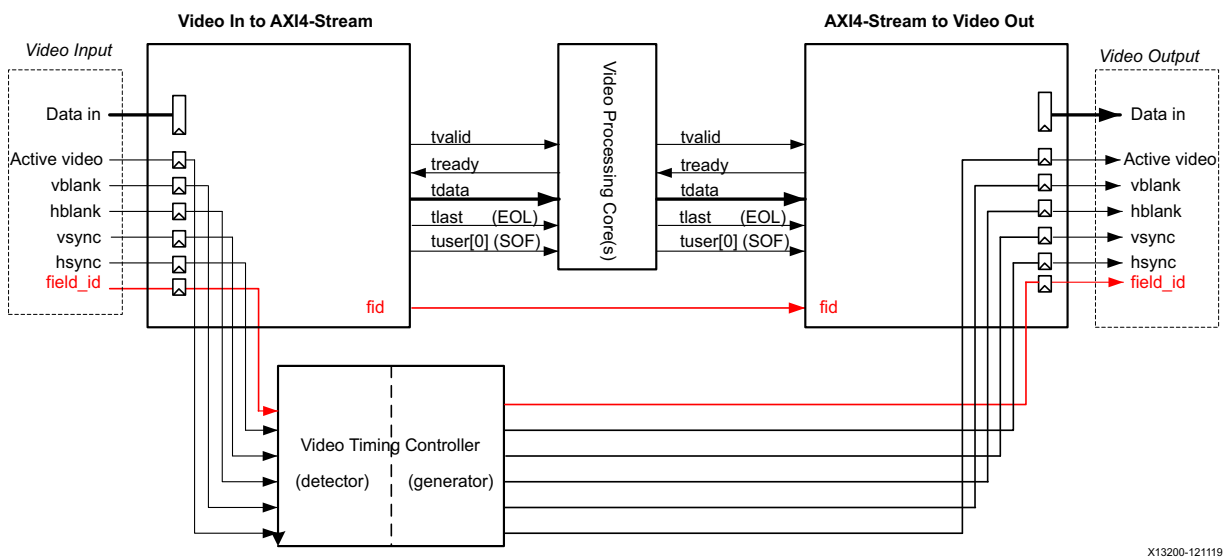
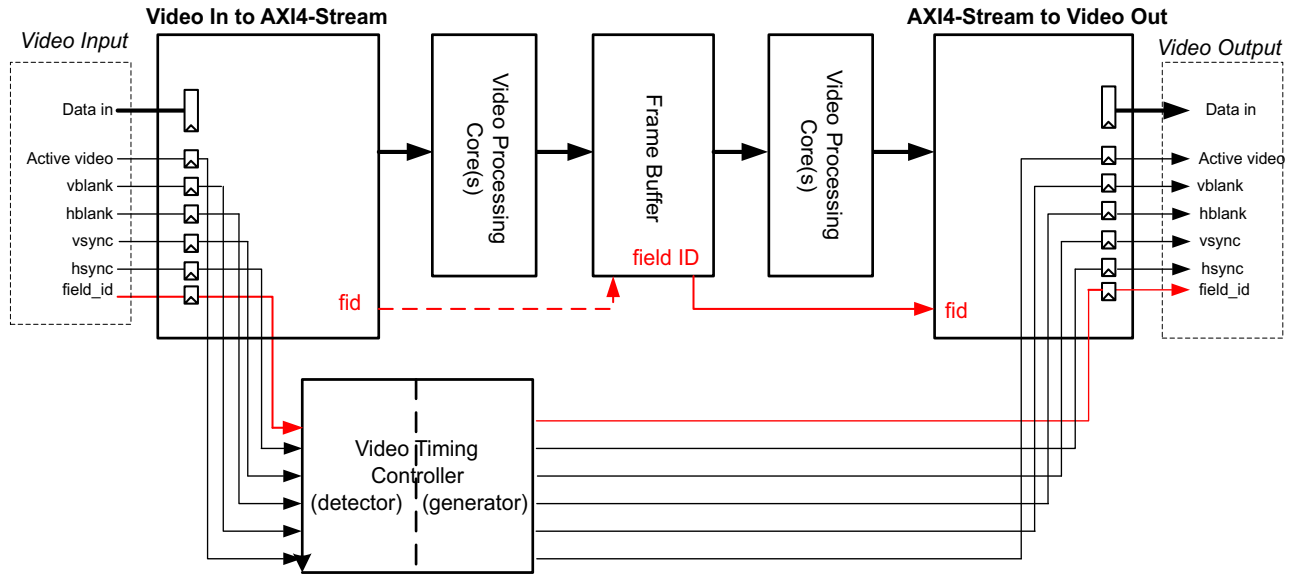


Figure 3-2: Interlace Signals on Video Cores

Most video processing cores are field-agnostic, and not aware of whether the picture being processed is an odd or even frame, or a progressive field. Therefore, interlace has no impact on these cores. The Video In to AXI4-Stream core has a frame ID output, `fid`, timed to the AXI4-Stream bus. This signal can be used as needed in the system. Some cores that use this `fid` bit are the AXI4-Stream to Video Out, VDMA, and Video Deinterlacer cores.

The AXI4-Stream to Video Out core has a field ID input, `fid`, sampled in time with the AXI4-Stream input bus. This `fid` bit must be asserted by the upstream source of AXI4-Stream video. For systems without a frame buffer or de-interlacing, the field ID input originates from the Video In core, as shown in Figure 3-3.



X13201-121119

Figure 3-3: Field ID Connections with a Frame Buffer

For systems with a frame buffer, the field ID input can come from any core containing a frame buffer. The field ID from the Video In to AXI4-Stream core can be used by the frame buffer if necessary, shown in [Figure 3-3](#).

**Note:** In [Figure 3-3](#), the AXI4-Stream to Video Out core is operating in slave mode.

A deinterlacer can be used after the Video In to AXI4-Stream core to convert the video format from interlaced to progressive. In this case, the deinterlacer uses the field ID bit, `fid`, from the Video In to AXI4-Stream core, as shown in [Figure 3-4](#).

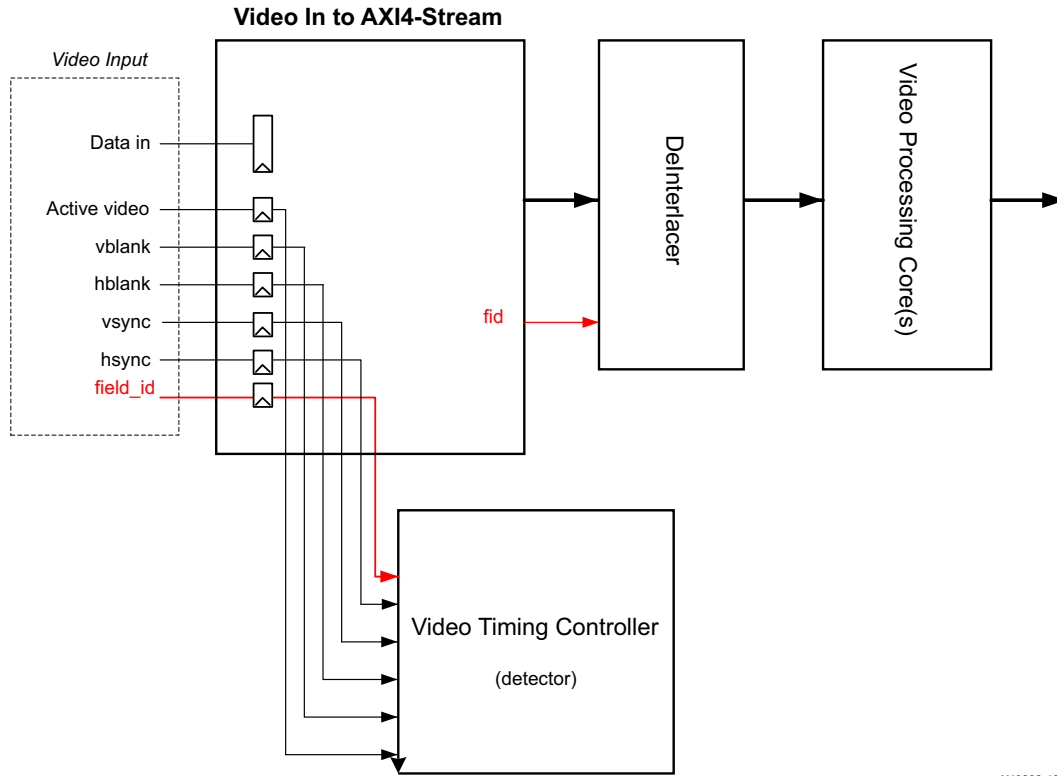


Figure 3-4: Field ID Connections with a DeInterlacer

On the Video In to AXI4-Stream core, the `fid` bit changes coincident with `SOF` and remains constant throughout the remainder of the field. On the AXI4-Stream to Video Out core, the `fid` bit is sampled coincident with `SOF` in Figure 3-5. Therefore, the Video In to AXI4-Stream can provide the field bit directly to the AXI4-Stream to Video Out core if no intervening frame buffer exists. When a deinterlacer or frame buffer is used, a similar scheme can be employed: generate the field ID coincident with the start of the field, and on the receiving side sample the field ID coincident with the first received pixel.

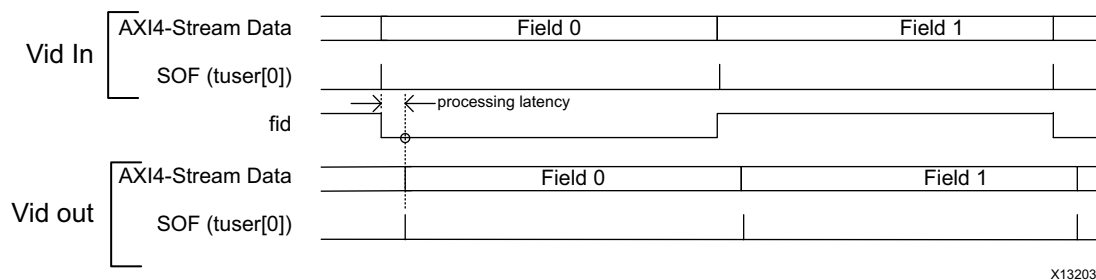


Figure 3-5: Timing of Field ID for AXI4-Stream

## Module Descriptions

Figure 1-1 shows a block diagram of the Video In to AXI4-Stream core. The video connections are on the left, and the AXI4-Stream interface is on the right. There are two main blocks, the data formatter and the stream coupler. The stream coupler contains an Asynchronous FIFO.

### Data Formatter

The data formatter derives the `EOL` and `SOE` flags required to transmit AXI4-Stream Video protocol. It also controls writing of the FIFO in the stream coupler. The flags are generated by looking at the edges of the data valid (`vid_active_video`) signal. Since only active pixels are carried on AXI4-Stream, the FIFO is only written when active pixels are present. There are input registers on all inputs to minimize input loading. The `EOL` flag is timed to be coincident with the last pixel before the falling edge of `DE`. Video data is delayed so that the falling edge of `DE` can be detected, and the `EOL` flag asserted coincident with the proper pixel as it is written to the FIFO. Similarly, the `SOE` flag is created based on the rising edge of `DE`, however it additionally requires knowledge of the vertical timing to identify the first line. This is done using the logical or `vsync` and `vblank`. The falling edge of either of these indicates that the input video is in the vertical blanking period. This enables `SOE` generation, and the `SOE` flag is asserted at the next rising edge of `DE`; the first valid pixel of the field.

The rising edge of `DE` also resets the vertical blanking flip-flop. Figure 3-6 shows the timing of outputs and internal signals relative to the inputs. The `de_1` and `de_2` signals are delayed versions of `de`. The outputs are highlighted in bold.

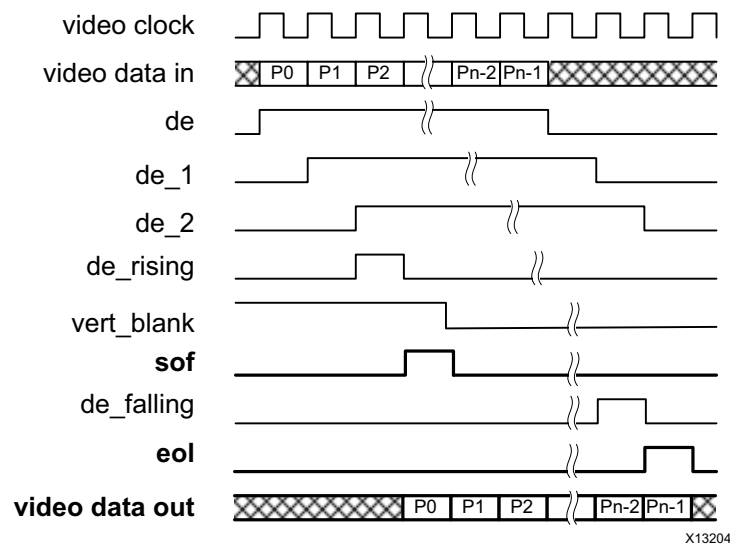


Figure 3-6: Data Formatter Timing Diagram

## Stream Coupler

The Stream Coupler block consists mainly of an asynchronous FIFO and write logic for the input side of the FIFO. The Output Synchronizer controls the reading of the FIFO. The FIFO serves two primary purposes:

1. Clock domain crossing.
2. Buffering of data between the AXI4-Stream input and the video output.

The buffering requirements depend on the ratio of the AXI4-Stream clock rate to the video clock rate, as described in [Buffer Requirements](#). The Stream Coupler also contains logic to ensure that the first AXI4-Stream transaction following a reset is the first pixel of the frame. Specifically, after a reset or loss of lock, AXI4-Stream `tdata_valid` is not asserted until the `axis_enable` input is active and an `SOF` is also present.

### Read Logic

The read logic controls the handshake for the AXI4-Stream bus and provides pixels to this bus as rapidly as possible. In general, the strategy for AXI4-Stream is downstream-greedy. That is, downstream modules take pixels as soon as they are available and there is buffer space to accommodate them. Since the Video In to AXI4-Stream core is at the front of the pipeline, it strives to empty its FIFO as fast as possible.

The Read Logic controls the `tvalid` handshaking signal based on the level and flags from the FIFO, and the `tready` signal returned from the downstream module. Whenever data is available in the FIFO, `tvalid` is asserted. When `tready` is returned active, the FIFO is read and the new pixel is again denoted by the `tvalid` being active. Thus, the `tvalid` is asserted except when there is no valid data available from the FIFO. The FIFO will only begin filling if the downstream core cannot accept data as fast as it is coming in from the video bus. This will happen, for example, if the AXI4-Stream clock, `ac1k`, is slower than the video clock. In this case, during the active portion of each line, pixels will be coming into the FIFO faster than they can be sent out on the AXI4-Stream bus. Thus the FIFO will begin to fill. Usually the FIFO will empty at the end of the active line when the downstream core is still taking pixels, but the incoming video data is in the horizontal blanking period.



# Design Flow Steps

This chapter describes customizing and generating the core, constraining the core, and the simulation, synthesis and implementation steps that are specific to this IP core. More detailed information about the standard Vivado<sup>®</sup> design flows and the IP integrator can be found in the following Vivado Design Suite user guides:

- *Vivado Design Suite User Guide: Designing IP Subsystems using IP Integrator* (UG994) [\[Ref 14\]](#)
- *Vivado Design Suite User Guide: Designing with IP* (UG896) [\[Ref 8\]](#)
- *Vivado Design Suite User Guide: Getting Started* (UG910) [\[Ref 12\]](#)
- *Vivado Design Suite User Guide: Logic Simulation* (UG900) [\[Ref 10\]](#)

---

## Customizing and Generating the Core

This chapter includes information about using Xilinx tools to customize and generate the core in the Vivado<sup>®</sup> Design Suite environment.

You can customize the IP for use in your design by specifying values for the various parameters associated with the IP core using the following steps:

1. Select the IP from the IP catalog.
2. Double-click on the selected IP or select the Customize IP command from the toolbar or popup menu.

For details, see the sections, “Working with IP” and “Customizing IP for the Design” in the *Vivado Design Suite User Guide: Designing with IP* (UG896) [\[Ref 8\]](#) and the “Working with the Vivado IDE” section in the *Vivado Design Suite User Guide: Getting Started* (UG910) [\[Ref 12\]](#).

If you are customizing and generating the core in the Vivado IP Integrator, see the *Vivado Design Suite User Guide: Designing IP Subsystems Using IP Integrator* (UG994) [\[Ref 14\]](#) for detailed information. IP Integrator might auto-compute certain configuration values when validating or generating the design. To check whether the values do change, see the description of the parameter in this chapter. To view the parameter value you can run the `validate_bd_design` command in the Tcl console.

**Note:** Figures in this chapter are illustrations of the Vivado IDE. This layout might vary from the current version.

## Vivado Integrated Design Environment

The Video In to AXI4-Stream core is easily configured to meet the developer's specific needs through the Vivado Design Suite. This section provides a quick reference to parameters that can be configured at generation time.

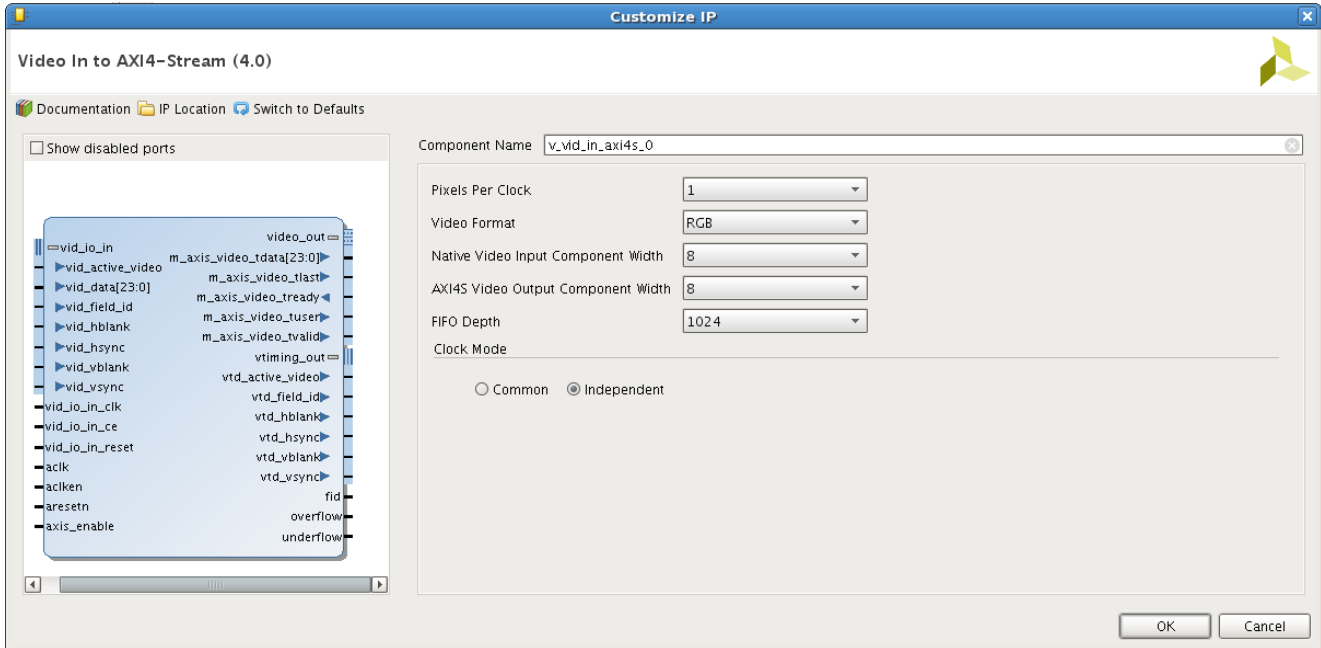


Figure 4-1: Video In to AXI4-Stream Vivado GUI

The GUI displays a representation of the IP symbol on the left side, and the parameter assignments on the right side, which are described as follows:

- **Component Name:** The component name is used as the base name of output files generated for the module. Names must begin with a letter and must be composed of characters: a to z, 0 to 9 and " \_ " .
- **Pixels Per Clock:** Specifies the number of pixels to be output in parallel. This parameter affects the data bus width of the input and output. The options for pixels per clock are 1, 2, or 4.
- **Input Component Width:** Specifies the video component bit width over the input video data bus.
- **Output Component Width:** Specifies the video component bit width over the output AXI4-Stream TDATA bus.
- **Clock Mode:** The clock mode is used to specify whether the AXI4-Stream output and Video input signals are clocked using common or independent clocks.

- **Video Format:** Specifies the video format used. The video formats are specified in the *Video IP: AXI Feature Adoption* section of the *Vivado AXI Reference Guide* (UG1037) [Ref 5]. The format selected determines the number of components used. The number of components (1-4) is multiplied by pixels per clock and the component width to determine the width of the video data bus, `v_data`. In turn, this width is rounded up to the nearest factor of 8 to determine the width of the AXI4-Stream data bus, `m_axis_video_tdata`. For example, if the component width is 14, pixels per clock is 2, and the Video Format is RGB (3 components), the `vid_data` is 84 bits wide and `m_axis_video_tdata` is 88 bits. When using IP Integrator, this parameter is automatically computed based on the Video Format of the video IP core connected to the slave AXI-Stream video interface.
- **FIFO Depth:** Specifies the number of locations in the input FIFO. The options for FIFO depth are 32, 1024, 2048, 4096, and 8192.

## Output Generation

For details, see “Generating IP Output Products” in the *Vivado Design Suite User Guide: Designing with IP* (UG896) [Ref 8].

---

## Constraining the Core

### Required Constraints

The only constraints required are clock frequency constraints for the video clock, `vid_io_in_clk`, and the AXI4-Stream clock, `ac1k`. Paths between the two clock domains should be constrained with a `max_delay` constraint and use the `datapathonly` flag, causing setup and hold checks to be ignored for signals that cross clock domains. These constraints are provided in the XDC constraints file included with the core.

### Device, Package, and Speed Grade Selections

There are no device, package, or speed grade requirements for this core. This core has not been characterized for use in low-power devices.

### Clock Frequencies

The pixel clock frequency is the required frequency for this core. See [Maximum Frequencies in Chapter 2](#).

## Clock Management

There are two clock domains for this core. The clock crossing boundary is handled by the FIFO and a handshake system for passing pointers between domains.

## Clock Placement

There are no specific Clock placement requirements for this core.

## Banking

There are no specific Banking rules for this core.

## Transceiver Placement

There are no Transceiver Placement requirements for this core.

## I/O Standard and Placement

There are no specific I/O standards and placement requirements for this core.

---

## Simulation

This chapter contains information about simulating IP in the Vivado® Design Suite environment. For comprehensive information about Vivado simulation components, as well as information about using supported third party tools, see the *Vivado Design Suite User Guide: Logic Simulation* (UG900) [Ref 10].

---

**IMPORTANT:** For cores targeting 7 series or Zynq-7000 devices, UNIFAST libraries are not supported. Xilinx IP is tested and qualified with UNISIM libraries only.

---

---

## Synthesis and Implementation

For details about synthesis and implementation, see “Synthesizing IP” and “Implementing IP” in the *Vivado Design Suite User Guide: Designing with IP* (UG896) [Ref 8].

## Example Design

This chapter contains information about the provided example design in the Vivado® Design Suite environment. The Video In to AXI4-Stream core is used in several reference designs and application notes. For detailed examples of how to use this core, refer to the following:

- *Creating a Video Design From Scratch Tutorial from Avnet Electronics Reference Design* [Ref 2]
- *Designing High-Performance Video Systems in 7 Series FPGAs with the AXI Interconnect (XAPP741)* [Ref 4]

# Verification, Compliance, and Interoperability

---

## Simulation

A test bench incorporating randomization of timing parameters was used to test the Video In to AXI4-Stream core. Testing included testing with multiple frames of data with many different timing parameters and frame sizes.

In addition to stand alone simulation, simulation was done on a pass-through video system consisting of the Video to AXI4-Stream Core core in a system with the AXI4-Stream to Video Out core and the VTC.

---

## Hardware Testing

The Video In to AXI4-Stream core has been validated in hardware using a complete pass through design with an external HDMI video source as an input, and an HDMI video display to verify the output. Re-initialization and re-synchronization was tested by removing and re-applying the video source multiple times.

---

## Interoperability

The AXI4-Stream output interface is compatible with any video processing block that implements the Video Over AXI4-Stream protocol.

The video input is compatible with digital video PHYs such as DVI that provide data in the format provided: Component video data, syncs, blanks, and data valid. With the addition of additional sync deemed logic external to the core, it can also interface with many other digital standards such as HDMI and SDI.

# Upgrading

This appendix contains information about migrating from an ISE design to the Vivado Design Suite, and for upgrading to a more recent version of the IP core. For customers upgrading their IP core, important details (where applicable) about any port changes and other impact to user logic are included.

---

## Migrating to the Vivado Design Suite

For information about migration to Vivado Design Suite, see *ISE to Vivado Design Suite Migration Guide* (UG911) [[Ref 7](#)].

---

## Upgrading in Vivado Design Suite

This section provides information about any changes to the user logic or port designations that take place when you upgrade to a more current version of this IP core in the Vivado Design Suite.

Version 4.0 supports IP upgrade from version 3.0. It has the following changes from version 3.0:

### Parameter Changes

The Clock Mode parameter has been added to allow for common or independent clocks. The default clock mode is set to independent.

The Video Component Width parameter has been replaced by Input Video Component Width and Output Video Component Width parameters to allow for component width conversion.

The Hysteresis Level parameter has been removed.

## Port Changes

Removed the following ports:

- rst
- wr\_error
- empty

Added the following ports:

- vid\_io\_in\_reset
- overflow
- underflow



# Debugging

This appendix includes details about resources available on the Xilinx Support website and debugging tools.

---

## Finding Help on Xilinx.com

To help in the design and debug process when using the Video In to AXI4-Stream, the [Xilinx Support web page](#) contains key resources such as product documentation, release notes, answer records, information about known issues, and links for opening a Technical Support Web Case.

### Documentation

This product guide is the main document associated with the Video In to AXI4-Stream. This guide, along with documentation related to all products that aid in the design process, can be found on the [Xilinx Support web page](#) or by using the Xilinx Documentation Navigator.

Download the Xilinx Documentation Navigator from the [Downloads page](#). For more information about this tool and the features available, open the online help after installation.

### Answer Records

Answer Records include information about commonly encountered problems, helpful information on how to resolve these problems, and any known issues with a Xilinx product. Answer Records are created and maintained daily ensuring that users have access to the most accurate information available.

Answer Records for this core are listed below, and can also be located by using the Search Support box on the main [Xilinx support web page](#). To maximize your search results, use proper keywords such as

- Product name
- Tool message(s)
- Summary of the issue encountered

A filter search is available after results are returned to further target the results.

### Answer Records for the Video In to AXI4-Stream Core

[AR 54538](#)

## Technical Support

Xilinx provides technical support in the [Xilinx Support web page](#) for this LogiCORE™ IP product when used as described in the product documentation. Xilinx cannot guarantee timing, functionality, or support if you do any of the following:

- Implement the solution in devices that are not defined in the documentation.
- Customize the solution beyond that allowed in the product documentation.
- Change any section of the design labeled DO NOT MODIFY.

To contact Xilinx Technical Support, navigate to [Xilinx Support web page](#).

---

## Debug Tools

There are many tools available to address Video In to AXI4-Stream design issues. It is important to know which tools are useful for debugging various situations.

## Example Design

The Video In to AXI4-Stream core is used in several reference designs and application notes. Information about the example designs can be found in *Chapter 6, Example Design*.

## Vivado Design Suite Debug Feature

The Vivado® Design Suite debug feature inserts logic analyzer and virtual I/O cores directly into your design. The debug feature also allows you to set trigger conditions to capture application and integrated block port signals in hardware. Captured signals can then be analyzed. This feature in the Vivado IDE is used for logic debugging and validation of a design running in Xilinx devices.

The Vivado logic analyzer is used to interact with the logic debug IP cores, including:

- ILA 2.0 (and later versions)
- VIO 2.0 (and later versions)

## Hardware Debug

Hardware issues can range from link bring-up to problems seen after hours of testing. This section provides debug steps for common issues. The Vivado debug feature is a valuable resource to use in hardware debug. The signal names mentioned in the following individual sections can be probed using the Vivado Lab Tools for debugging the specific problems.

### General Checks

Ensure that all the timing constraints for the core were properly incorporated from the example design and that all constraints were met during implementation.

- Does it work in post-place and route timing simulation? If problems are seen in hardware but not in timing simulation, this could indicate a PCB issue. Ensure that all clock sources are active and clean.
- If using MMCMs in the design, ensure that all MMCMs have obtained lock by monitoring the LOCKED port.
- If your outputs go to 0, check your licensing.

## Interface Debug

### AXI4-Stream Interfaces

Table 3-1 describes how to troubleshoot the AXI4-Stream interface.

Table 3-1: Troubleshooting AXI4-Stream Interface

Symptom	Solution
m_axis_video_tvalid stuck low, the downstream core is not receiving data	<ul style="list-style-type: none"> <li>• Is the axis_enable input HIGH?</li> <li>• Is there a proper signal on vid_vsync or vid_vblank? At least one of these must be present for the core to output data.</li> <li>• On startup or reset, tvalid remains Low until SOF after axis_enable is asserted High.</li> </ul>

### Other Interfaces

Table 3-2 describes how to troubleshoot third-party interfaces.

Table 3-2: Troubleshooting Third-Party Interfaces

Symptom	Solution
Severe color distortion or color-swap when interfacing to third-party video IP.	Verify that the color component logical addressing on the AXI4-Stream TDATA signal is in. If misaligned: In HDL, break up the TDATA vector to constituent components and manually connect the slave and master interface sides.
Severe color distortion or color-swap when processing video written to external memory using the AXI-VDMA core.	Unless the particular software driver was developed with the AXI4-Stream TDATA signal color component assignments in mind, there are no guarantees that the software correctly identifies bits corresponding to color components. Verify that the color component logical addressing TDATA is in alignment with the data format expected by the software drivers reading/writing external memory. If misaligned: In HDL, break up the TDATA vector to constituent components, and manually connect the slave and master interface sides.

# Additional Resources and Legal Notices

---

## Xilinx Resources

For support resources such as Answers, Documentation, Downloads, and Forums, see [Xilinx Support](#).

---

## Documentation Navigator and Design Hubs

Xilinx Documentation Navigator provides access to Xilinx documents, videos, and support resources, which you can filter and search to find information. To open the Xilinx Documentation Navigator (DocNav):

- From the Vivado IDE, select **Help > Documentation and Tutorials**.
- On Windows, select **Start > All Programs > Xilinx Design Tools > DocNav**.
- At the Linux command prompt, enter `docnav`.

Xilinx Design Hubs provide links to documentation organized by design tasks and other topics, which you can use to learn key concepts and address frequently asked questions. To access the Design Hubs:

- In the Xilinx Documentation Navigator, click the **Design Hubs View** tab.
- On the Xilinx website, see the [Design Hubs](#) page.

For more information on Documentation Navigator, see the [Documentation Navigator](#) page on the Xilinx website.

---

## References

These documents provide supplemental material useful with this user guide:

1. *Synthesis and Simulation Design Guide* ([UG626](#))

2. *Creating a Video Design From Scratch Tutorial from Avnet Electronics.*  
[https://www.em.avnet.com/Support%20And%20Downloads/FMC\\_IMAGEON\\_Building\\_Video\\_Design\\_Tutorial\\_14\\_4\\_20130110.zip](https://www.em.avnet.com/Support%20And%20Downloads/FMC_IMAGEON_Building_Video_Design_Tutorial_14_4_20130110.zip)
3. *Bridging Xilinx Streaming Video Interface with AXI4-Stream Protocol (XAPP521)*
4. *Designing High-Performance Video Systems in 7 Series FPGAs with the AXI Interconnect (XAPP741)*
5. *AXI Reference Guide (UG1037)*
6. *Video Timing Controller LogiCORE IP Product Guide (PG016)*
7. *ISE to Vivado Design Suite Migration Guide (UG911)*
8. *Vivado Design Suite User Guide: Designing with IP (UG896)*
9. *Video Timing Controller Product Guide (PG016)*
10. *Vivado Design Suite User Guide: Logic Simulation (UG900)*
11. *Vivado Design Suite User Guide: Programming and Debugging (UG908)*
12. *Vivado Design Suite User Guide: Getting Started (UG910)*
13. *AXI4-Stream Video IP and System Design Guide (UG934)*
14. *Vivado Design Suite User Guide: Designing IP Subsystems Using IP Integrator (UG994)*

## Revision History

The following table shows the revision history for this document.

Date	Version	Revision
03/17/2021	4.0	<ul style="list-style-type: none"> <li>• Added a note for input-output order in Product Specification.</li> <li>• Removed Test Bench section as it is not supported.</li> </ul>
12/17/2019	4.0	<ul style="list-style-type: none"> <li>• Added a note in the Overview chapter.</li> <li>• Updated Figures 3-5, 3-6, and 3-7.</li> <li>• Removed Timing Mode, Slave Mode, Master Mode, and Master Mode with Fsynch sections from Chapter 3.</li> </ul>
10/04/2017	4.0	<ul style="list-style-type: none"> <li>• Added clock domain for field-id signals</li> <li>• Updated vid_io_in_reset signal information.</li> </ul>
11/18/2015	4.0	Added UltraScale+ support.
09/30/2015	4.0	Updated System Clocking and Resets.
04/01/2014	3.0	Added support for multiple pixels per clock.
12/18/2013	3.0	Added UltraScale Architecture support.

Date	Version	Revision
10/02/2013	3.0	<ul style="list-style-type: none"> <li>• Sync document version with core version.</li> <li>• Updated Constraints and Migration chapters.</li> </ul>
03/20/2013	4.0	<ul style="list-style-type: none"> <li>• Updated for core version. Removed ISE chapters.</li> <li>• Updated Debugging appendix.</li> <li>• Updated Core Interfaces. Updated Designing with the Core chapter.</li> </ul>
10/16/2012	3.0	<ul style="list-style-type: none"> <li>• Updated for core version.</li> <li>• Updated for ISE v14.3 and Vivado v2012.3.</li> <li>• Added Vivado test bench.</li> </ul>
07/25/2012	2.0	<ul style="list-style-type: none"> <li>• Updated for core version.</li> <li>• Added Vivado information.</li> </ul>
04/24/2012	1.0	Initial Xilinx release of core.

## Please Read: Important Legal Notices

The information disclosed to you hereunder (the "Materials") is provided solely for the selection and use of Xilinx products. To the maximum extent permitted by applicable law: (1) Materials are made available "AS IS" and with all faults, Xilinx hereby DISCLAIMS ALL WARRANTIES AND CONDITIONS, EXPRESS, IMPLIED, OR STATUTORY, INCLUDING BUT NOT LIMITED TO WARRANTIES OF MERCHANTABILITY, NON-INFRINGEMENT, OR FITNESS FOR ANY PARTICULAR PURPOSE; and (2) Xilinx shall not be liable (whether in contract or tort, including negligence, or under any other theory of liability) for any loss or damage of any kind or nature related to, arising under, or in connection with, the Materials (including your use of the Materials), including for any direct, indirect, special, incidental, or consequential loss or damage (including loss of data, profits, goodwill, or any type of loss or damage suffered as a result of any action brought by a third party) even if such damage or loss was reasonably foreseeable or Xilinx had been advised of the possibility of the same. Xilinx assumes no obligation to correct any errors contained in the Materials or to notify you of updates to the Materials or to product specifications. You may not reproduce, modify, distribute, or publicly display the Materials without prior written consent. Certain products are subject to the terms and conditions of Xilinx's limited warranty, please refer to Xilinx's Terms of Sale which can be viewed at <https://www.xilinx.com/legal.htm#tos>; IP cores may be subject to warranty and support terms contained in a license issued to you by Xilinx. Xilinx products are not designed or intended to be fail-safe or for use in any application requiring fail-safe performance; you assume sole risk and liability for use of Xilinx products in such critical applications, please refer to Xilinx's Terms of Sale which can be viewed at <https://www.xilinx.com/legal.htm#tos>.

### AUTOMOTIVE APPLICATIONS DISCLAIMER

AUTOMOTIVE PRODUCTS (IDENTIFIED AS "XA" IN THE PART NUMBER) ARE NOT WARRANTED FOR USE IN THE DEPLOYMENT OF AIRBAGS OR FOR USE IN APPLICATIONS THAT AFFECT CONTROL OF A VEHICLE ("SAFETY APPLICATION") UNLESS THERE IS A SAFETY CONCEPT OR REDUNDANCY FEATURE CONSISTENT WITH THE ISO 26262 AUTOMOTIVE SAFETY STANDARD ("SAFETY DESIGN"). CUSTOMER SHALL, PRIOR TO USING OR DISTRIBUTING ANY SYSTEMS THAT INCORPORATE PRODUCTS, THOROUGHLY TEST SUCH SYSTEMS FOR SAFETY PURPOSES. USE OF PRODUCTS IN A SAFETY APPLICATION WITHOUT A SAFETY DESIGN IS FULLY AT THE RISK OF CUSTOMER, SUBJECT ONLY TO APPLICABLE LAWS AND REGULATIONS GOVERNING LIMITATIONS ON PRODUCT LIABILITY.

© Copyright 2012-2021 Xilinx, Inc. Xilinx, the Xilinx logo, Alveo, Artix, Kintex, Spartan, Versal, Virtex, Vivado, Zynq, and other designated brands included herein are trademarks of Xilinx in the United States and other countries. All other trademarks are the property of their respective owners.