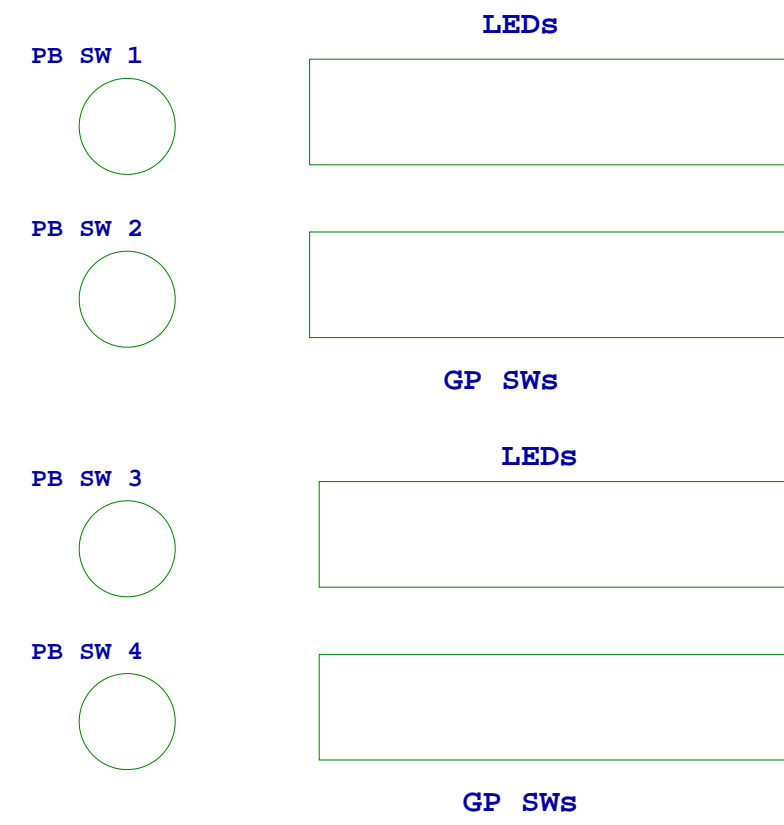
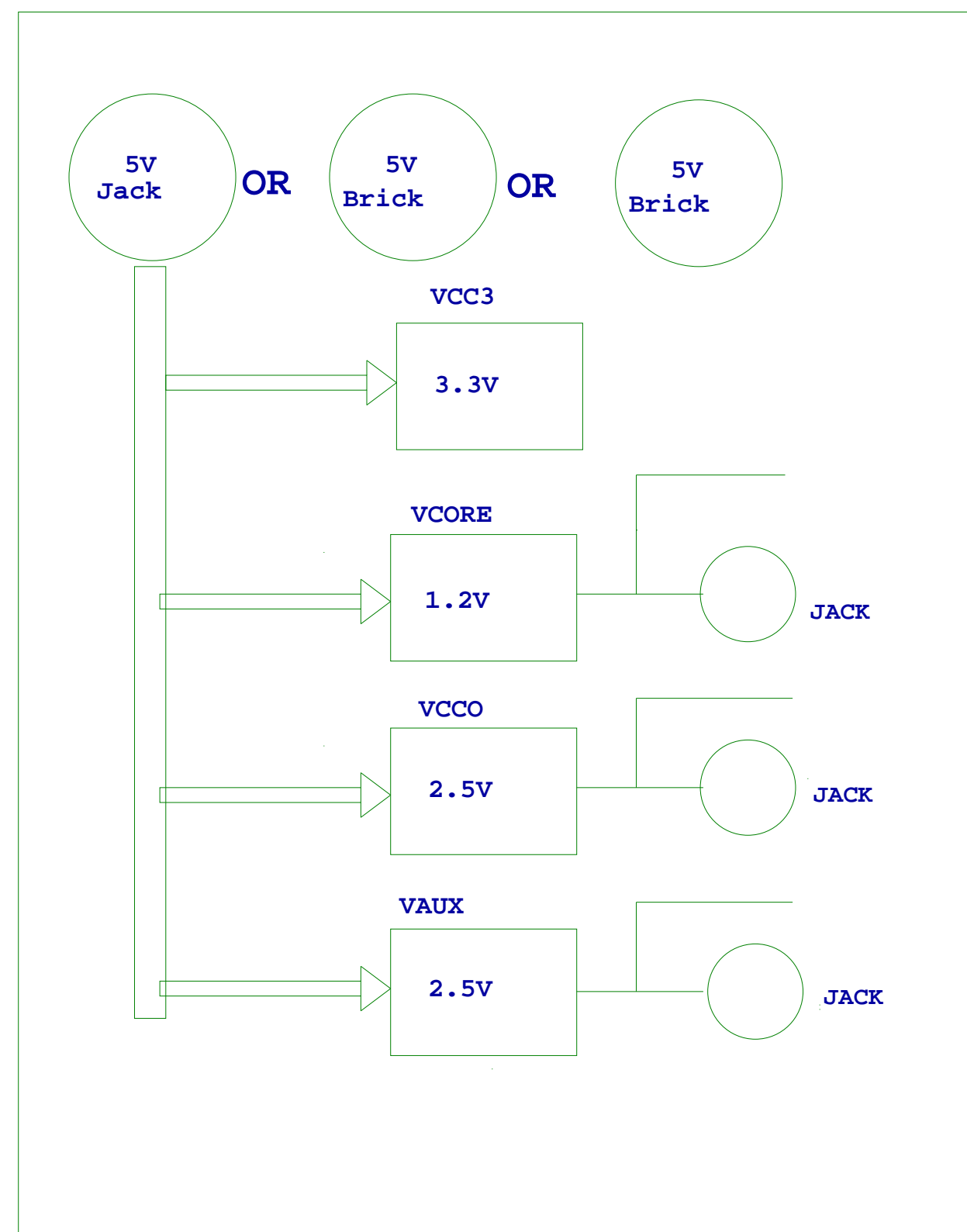
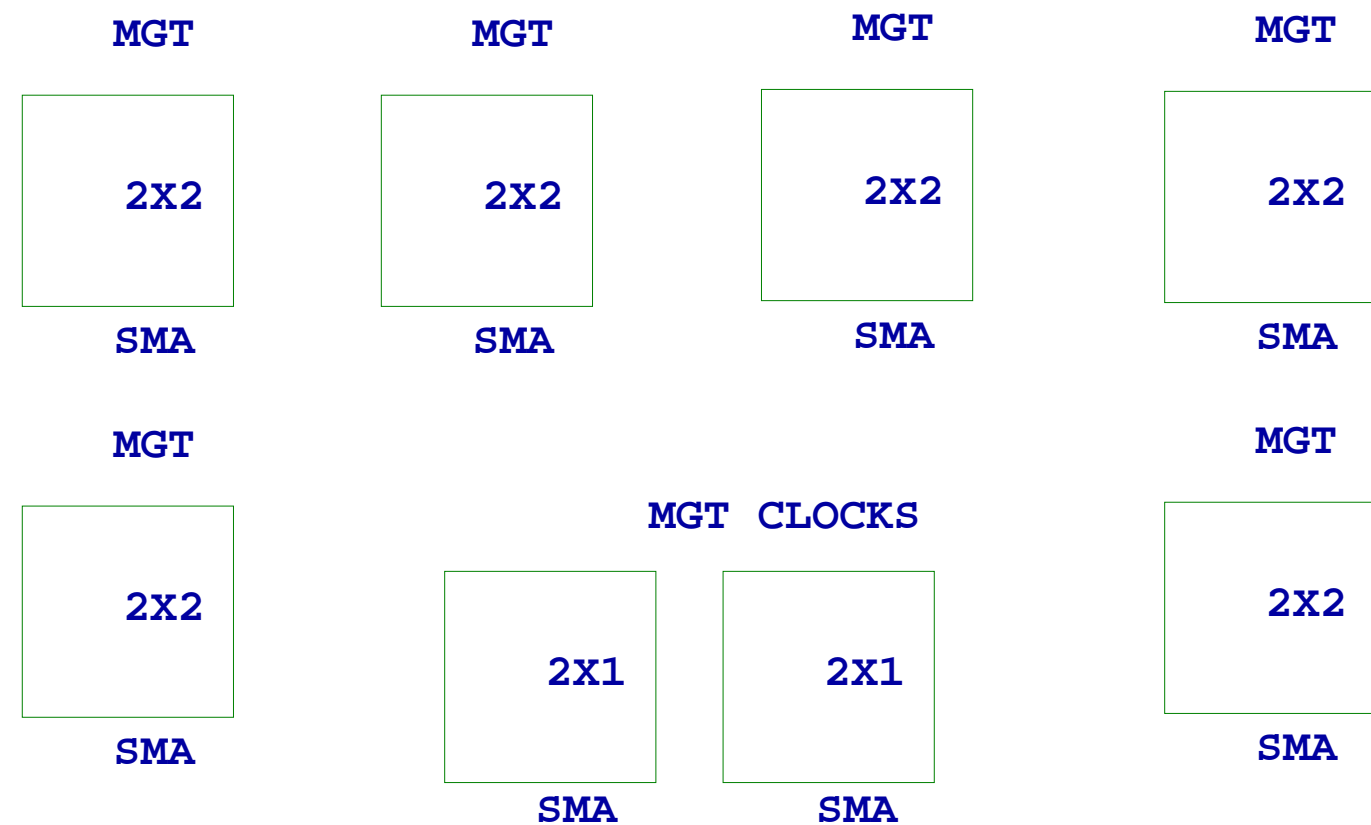
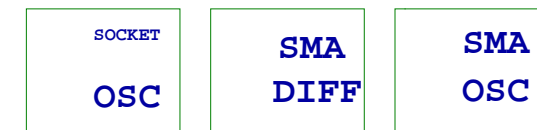


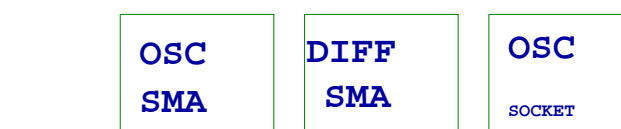
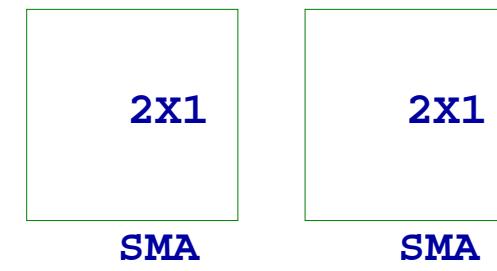
ON BOARD FPGA SUPPLIES



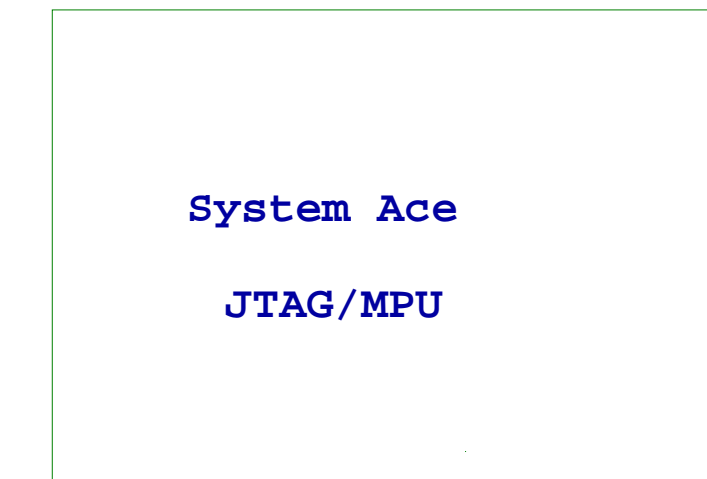
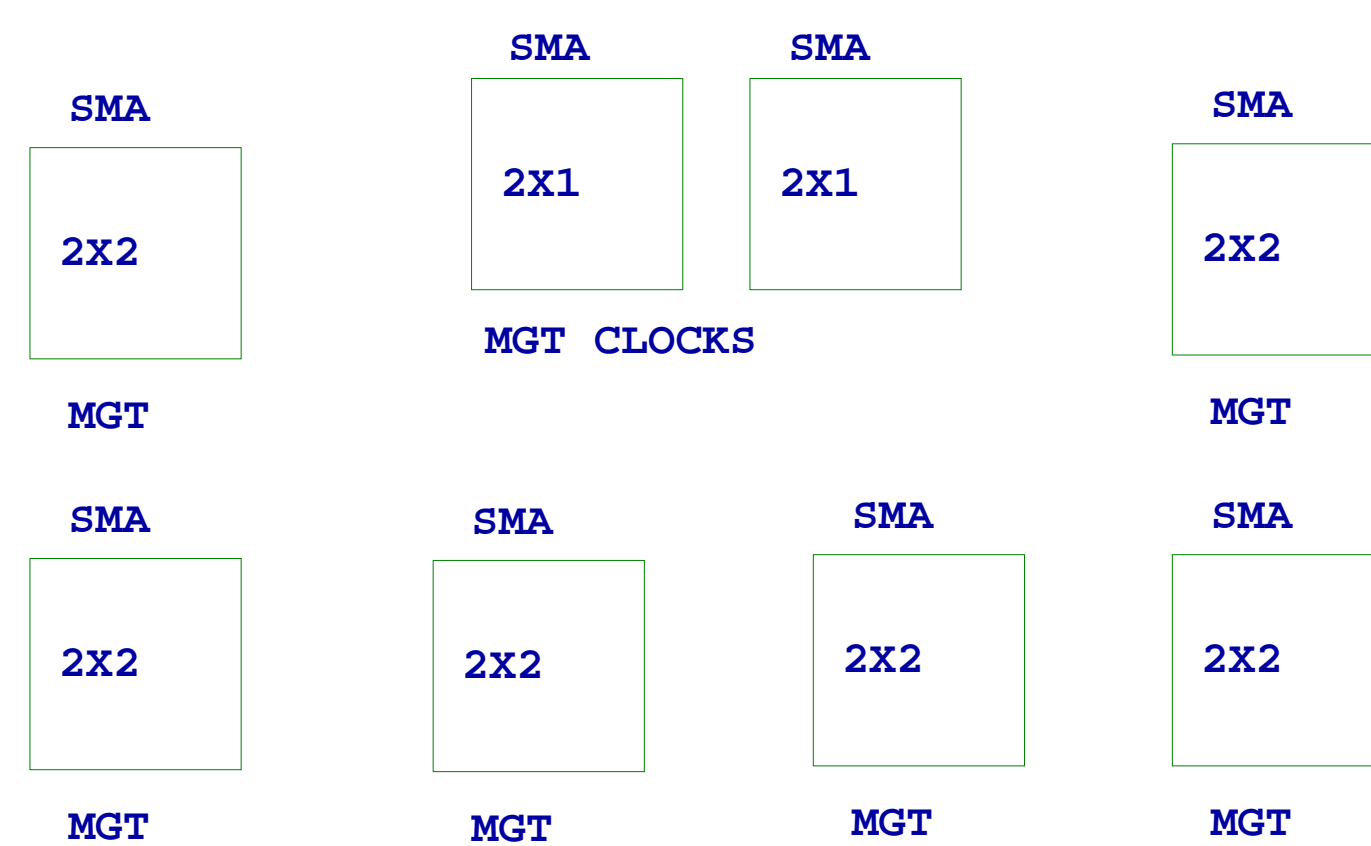
STANDARD CLOCKS



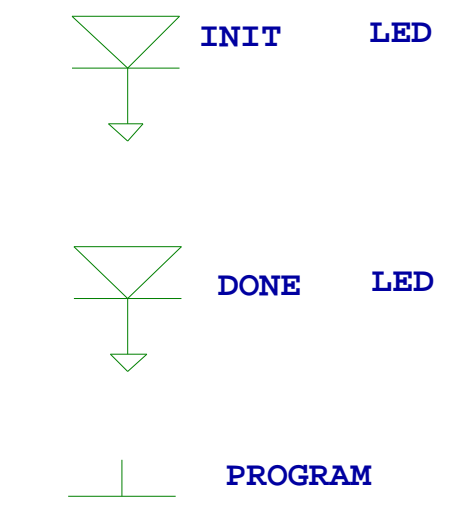
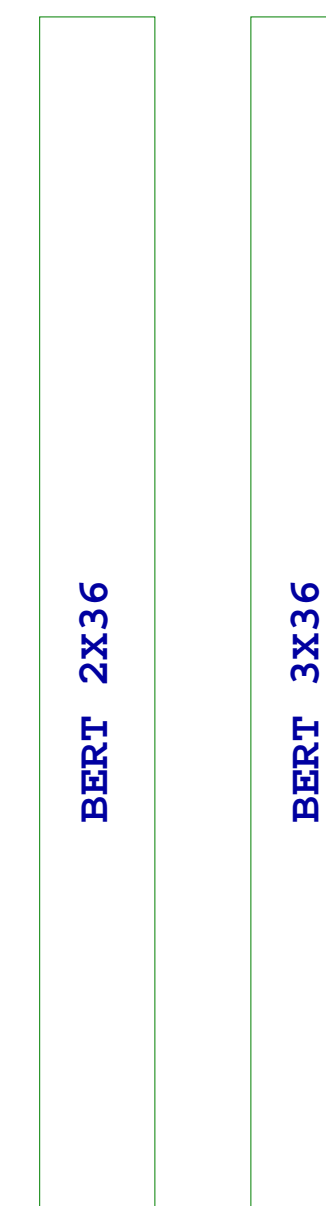
MGT CLOCKS



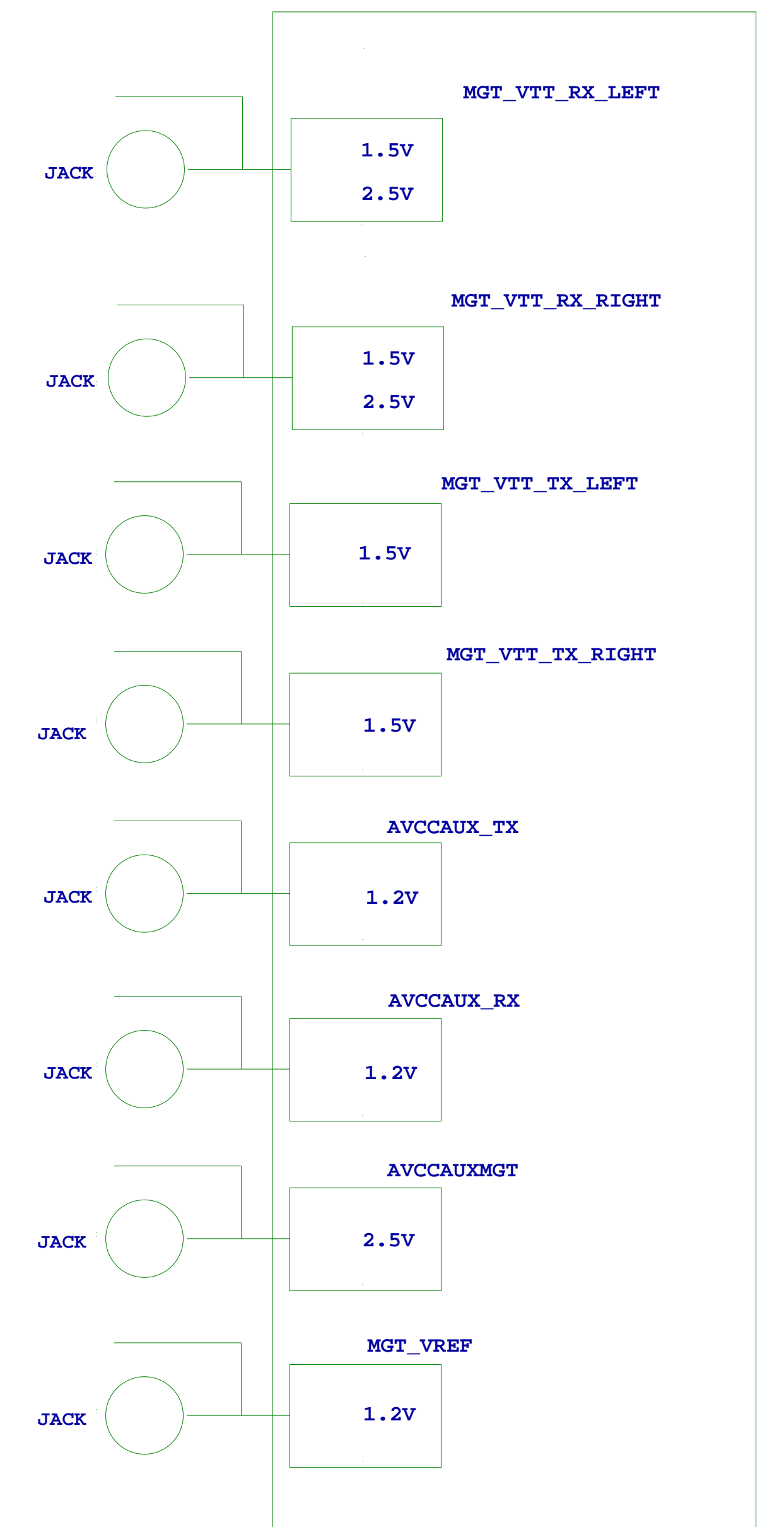
STANDARD CLOCKS

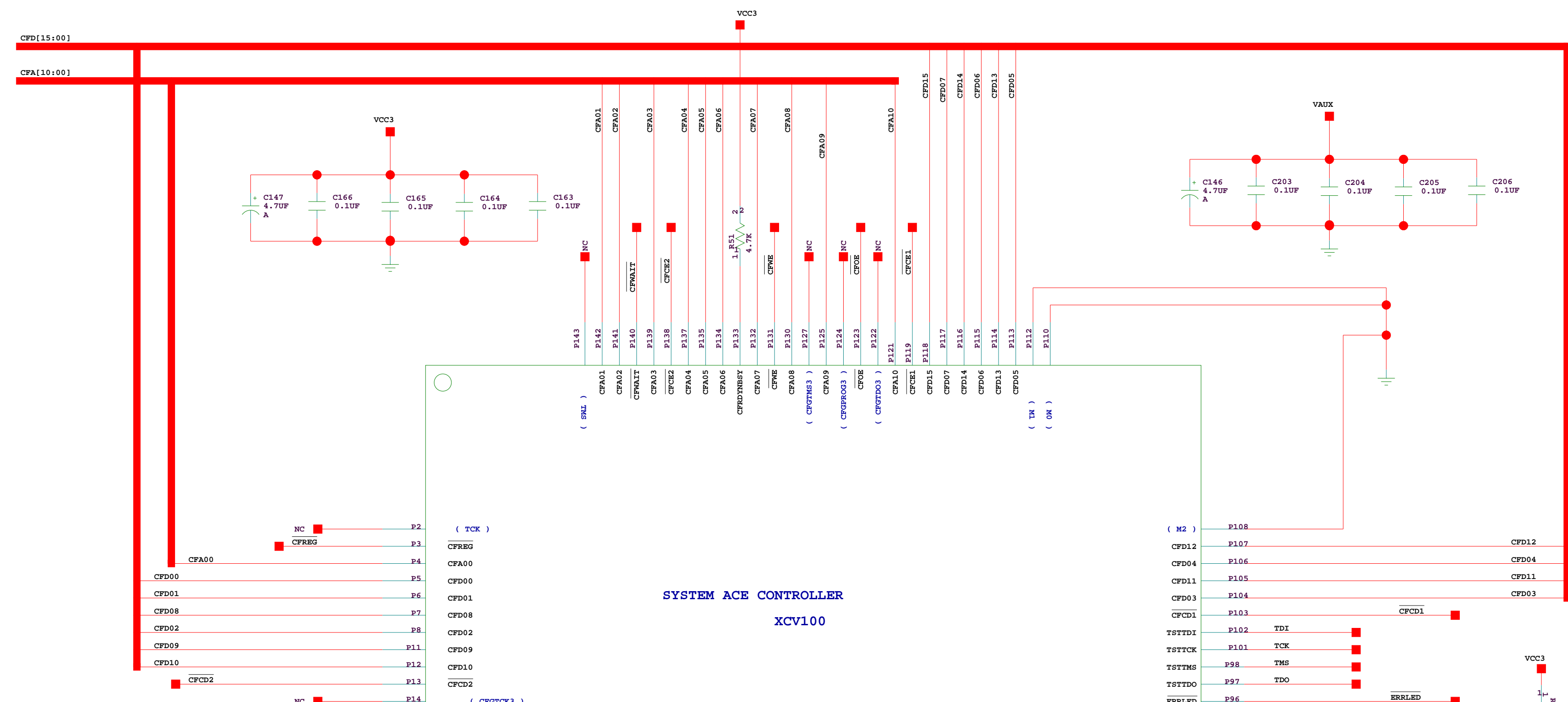


RX TX

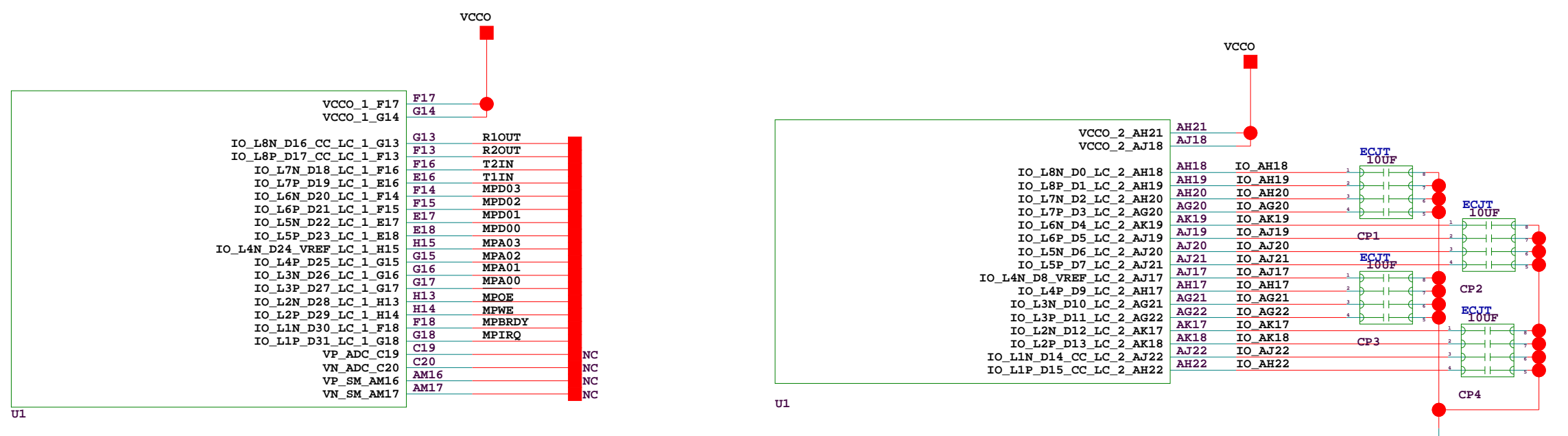
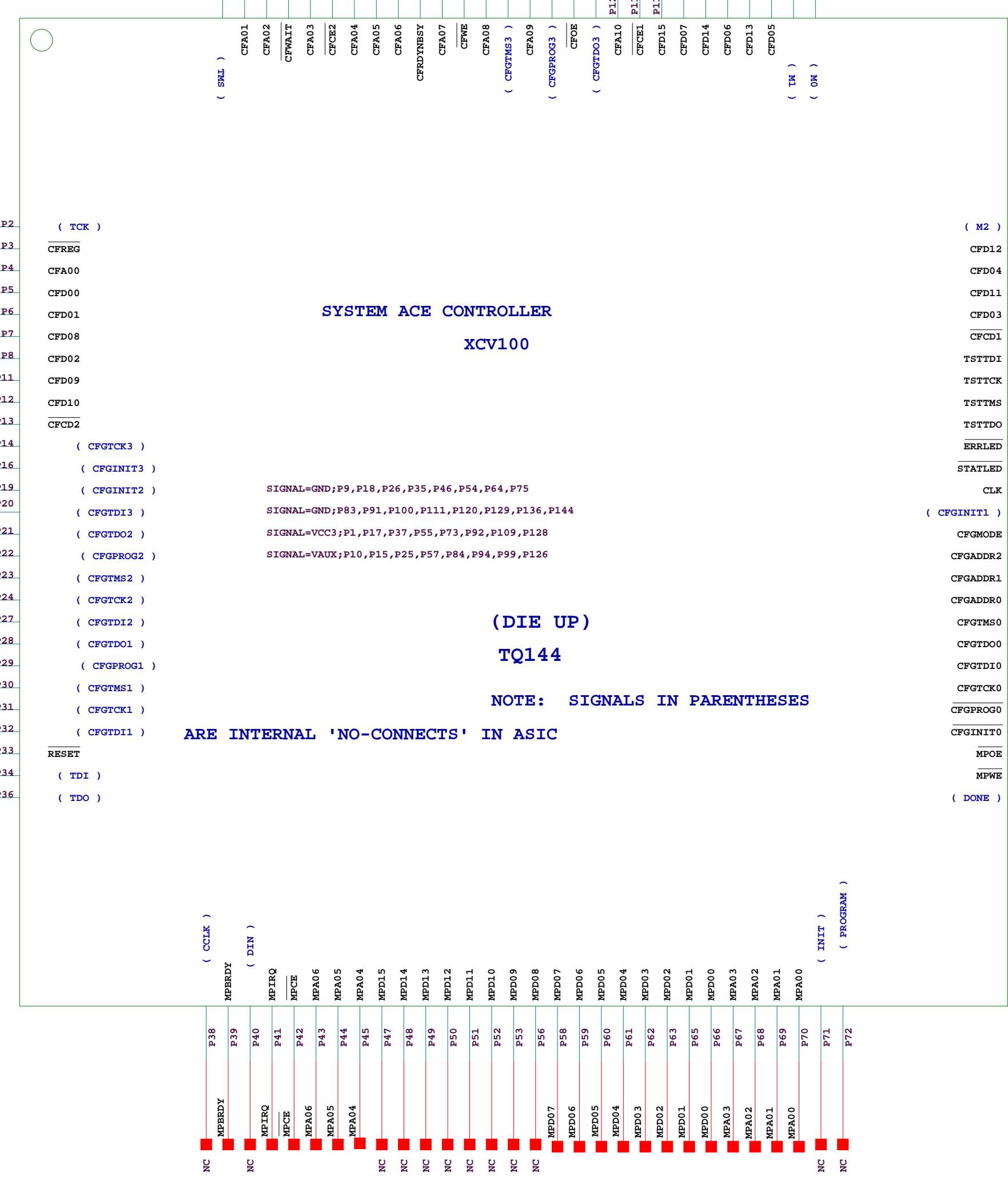
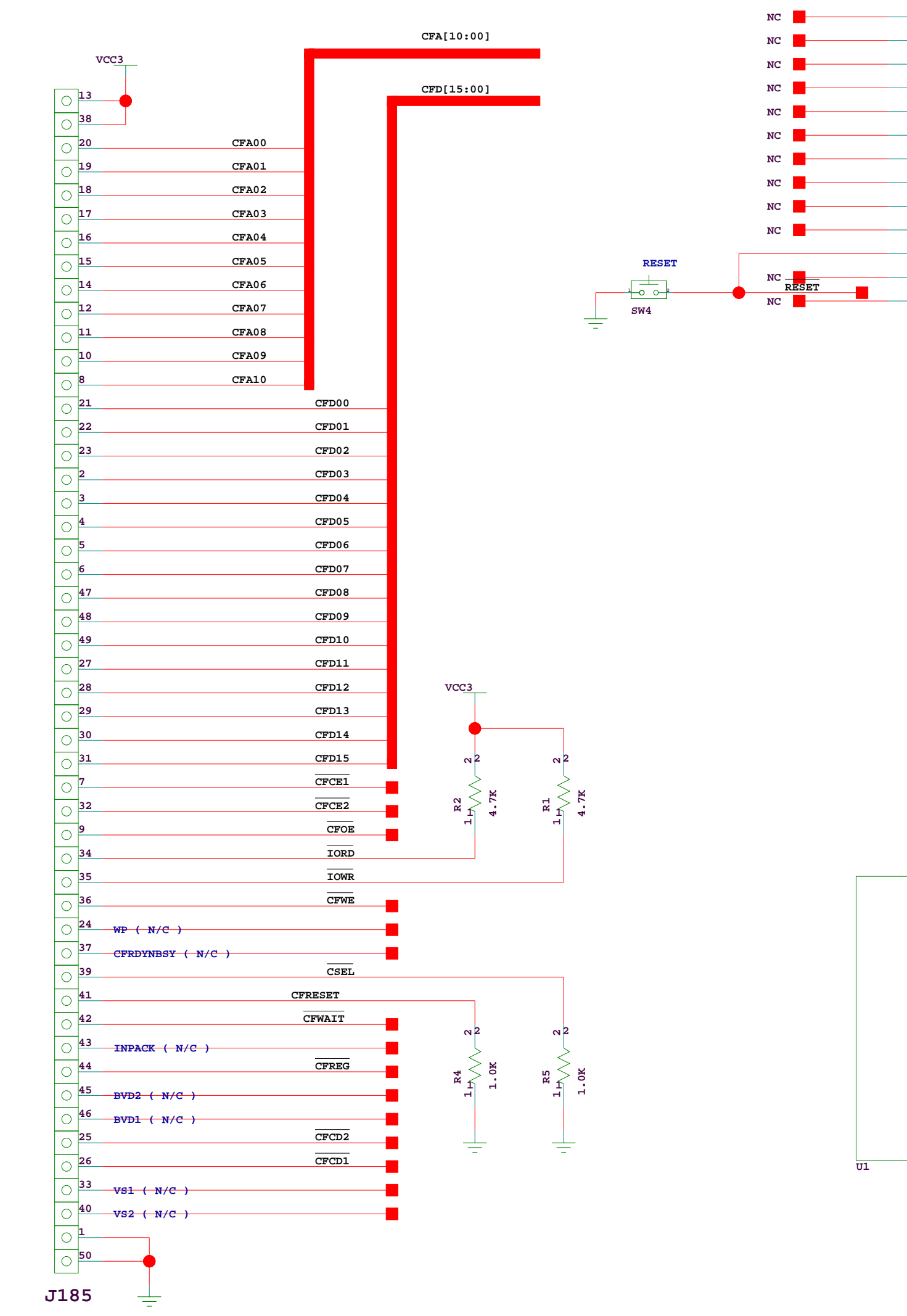


MGT POWER MODULE



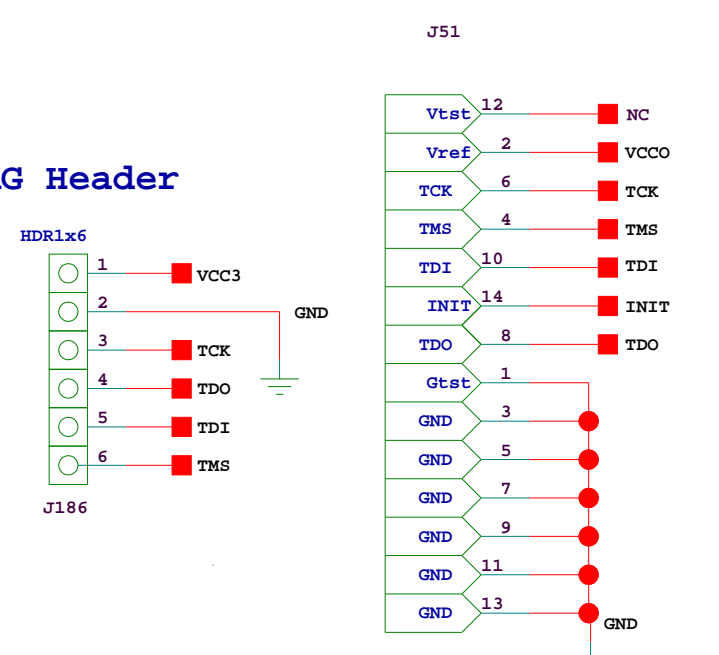


**COMPACT FLASH CARD INTERFACE**

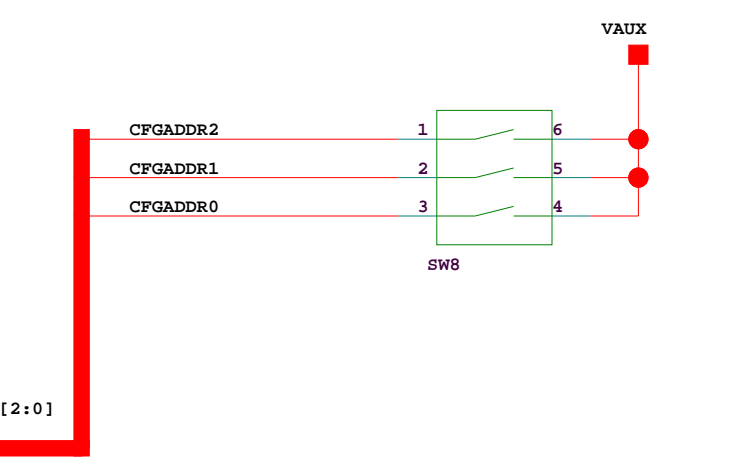
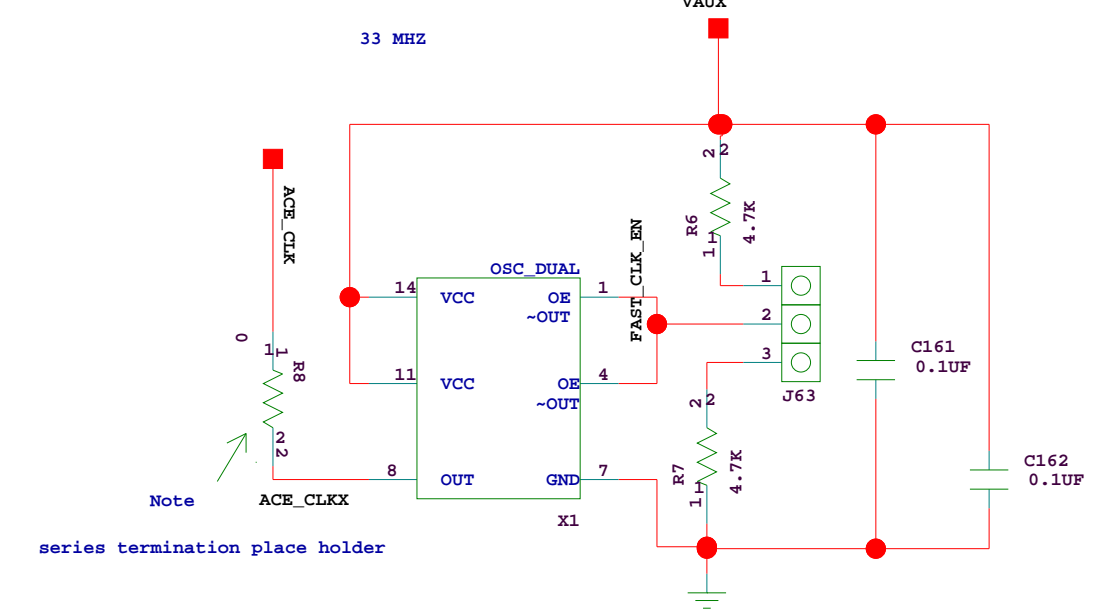


SW5	FUNCTION
1	CONFIG FILE ADDRESS_2
2	CONFIG FILE ADDRESS_1
3	CONFIG FILE ADDRESS_0
SELECTION	
1	FILE INDEX 0
2	FILE INDEX 1
3	FILE INDEX 2
NOTATION:	
○	OPEN
●	CLOSED

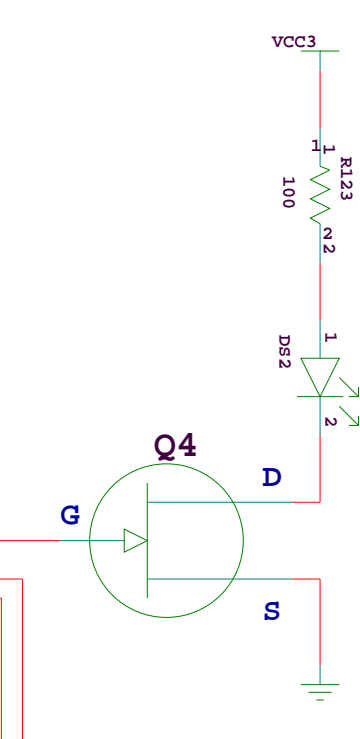
**JTAG Header**



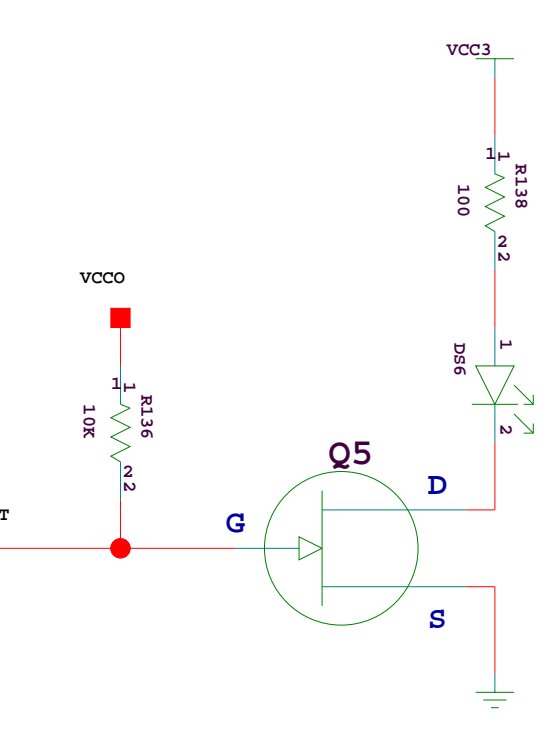
**ACE SYSTEM CLOCK**



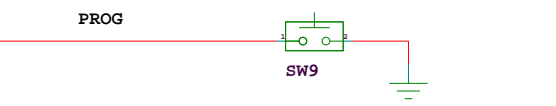
**DONE LED**



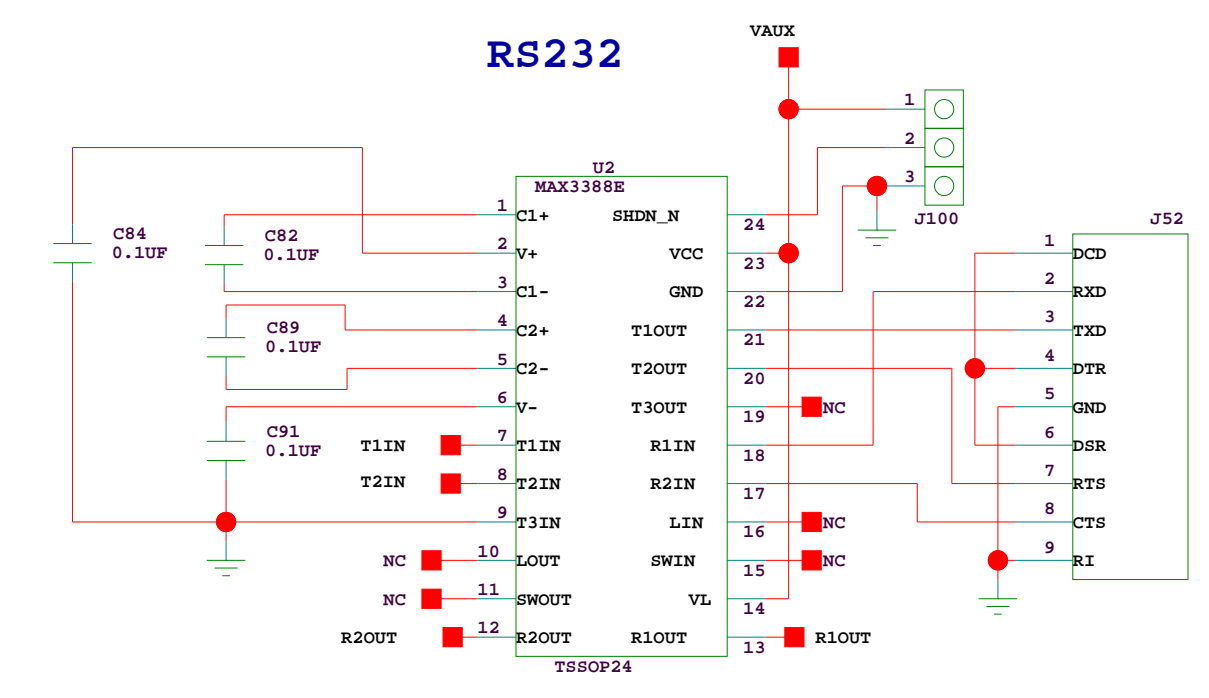
**INIT LED**



**PROGRAM**



**RS232**



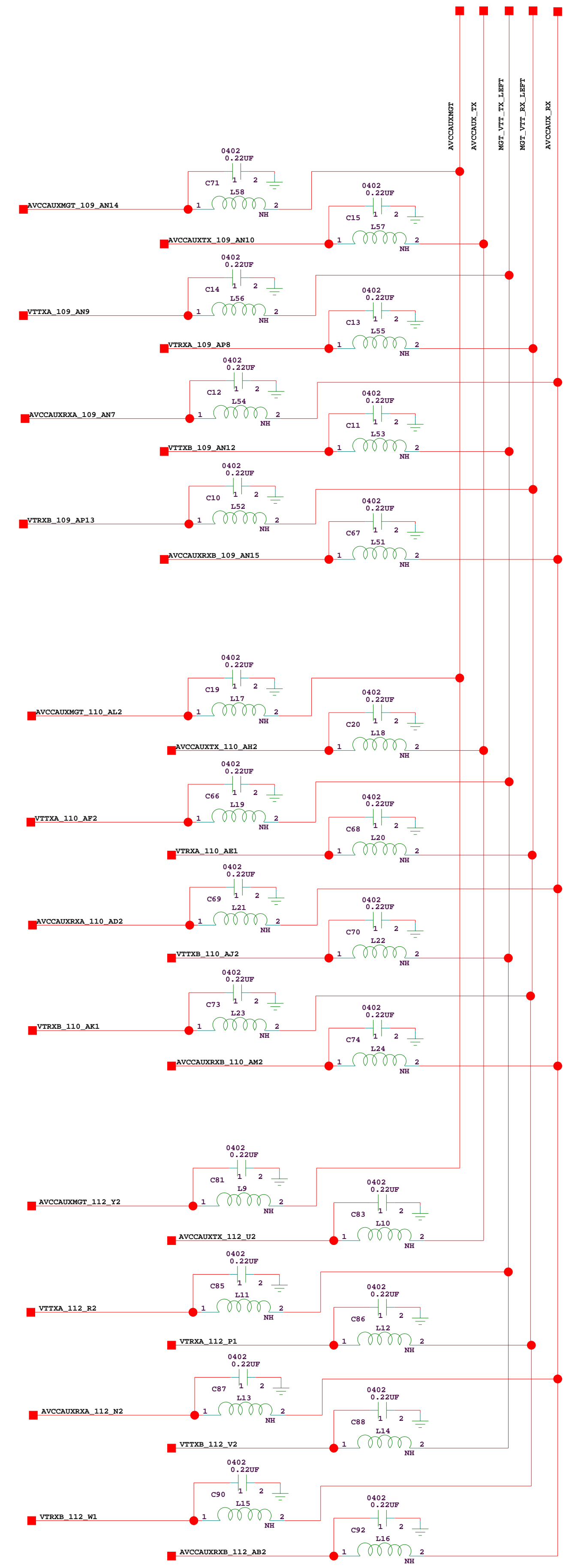
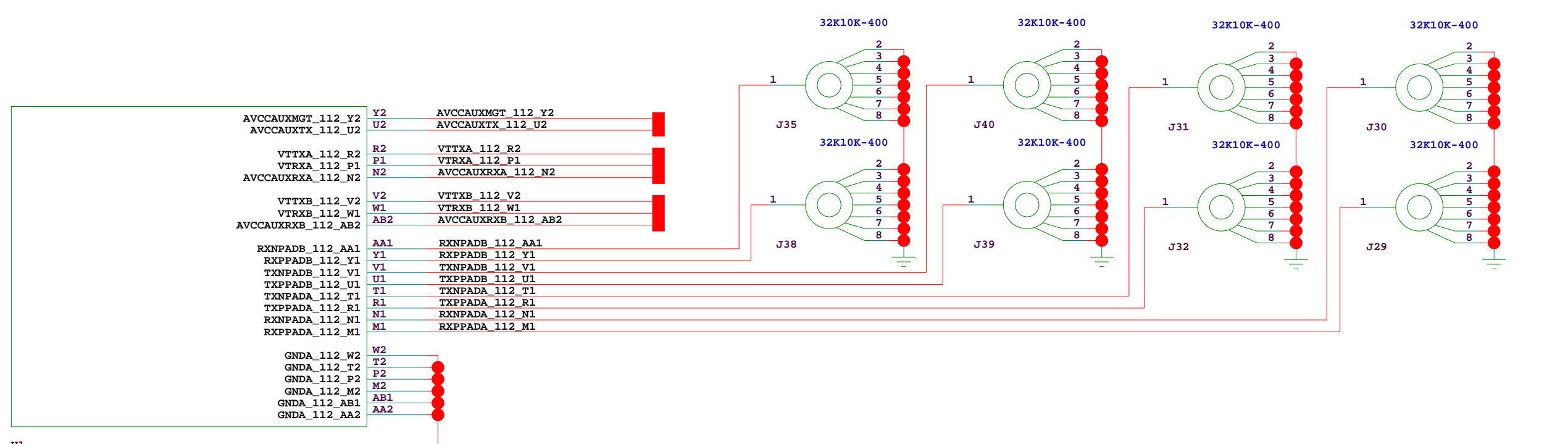
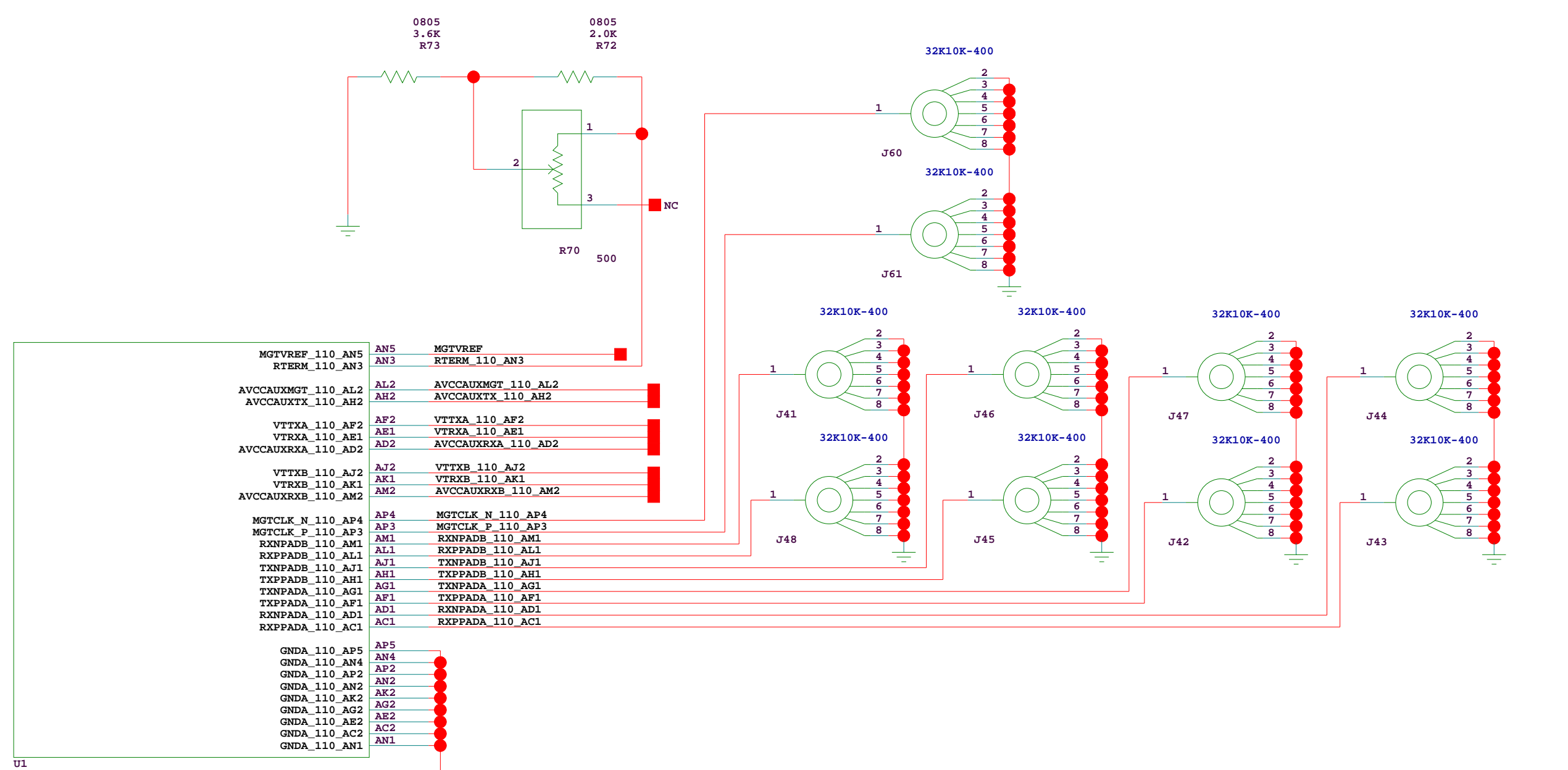
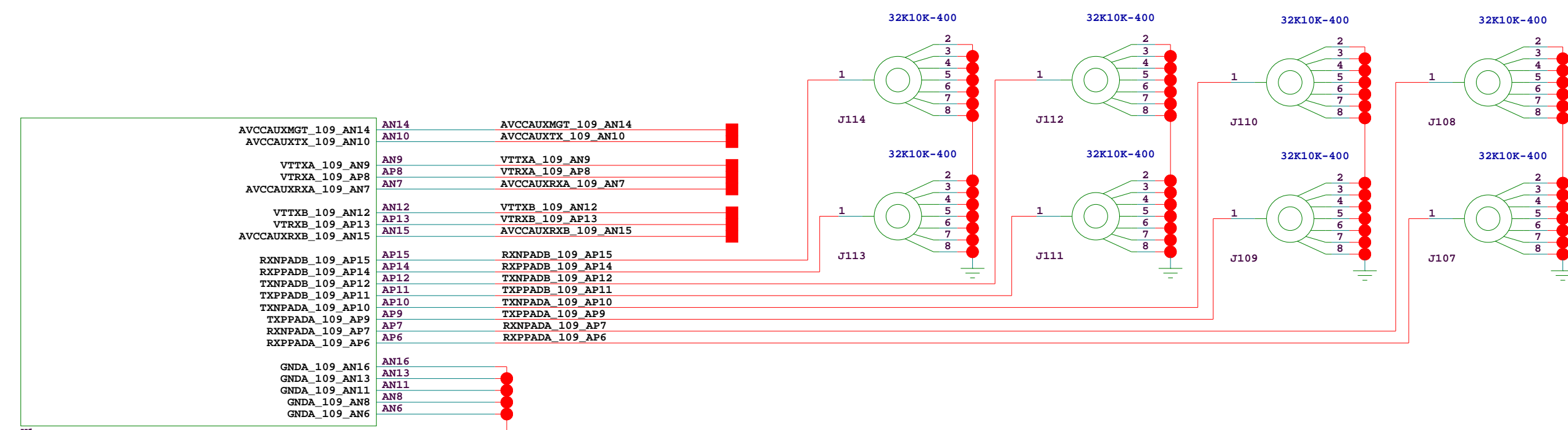
**GND TEST POINTS**  
distributed evenly across the board

**System Ace / UART / Configuration Pins**

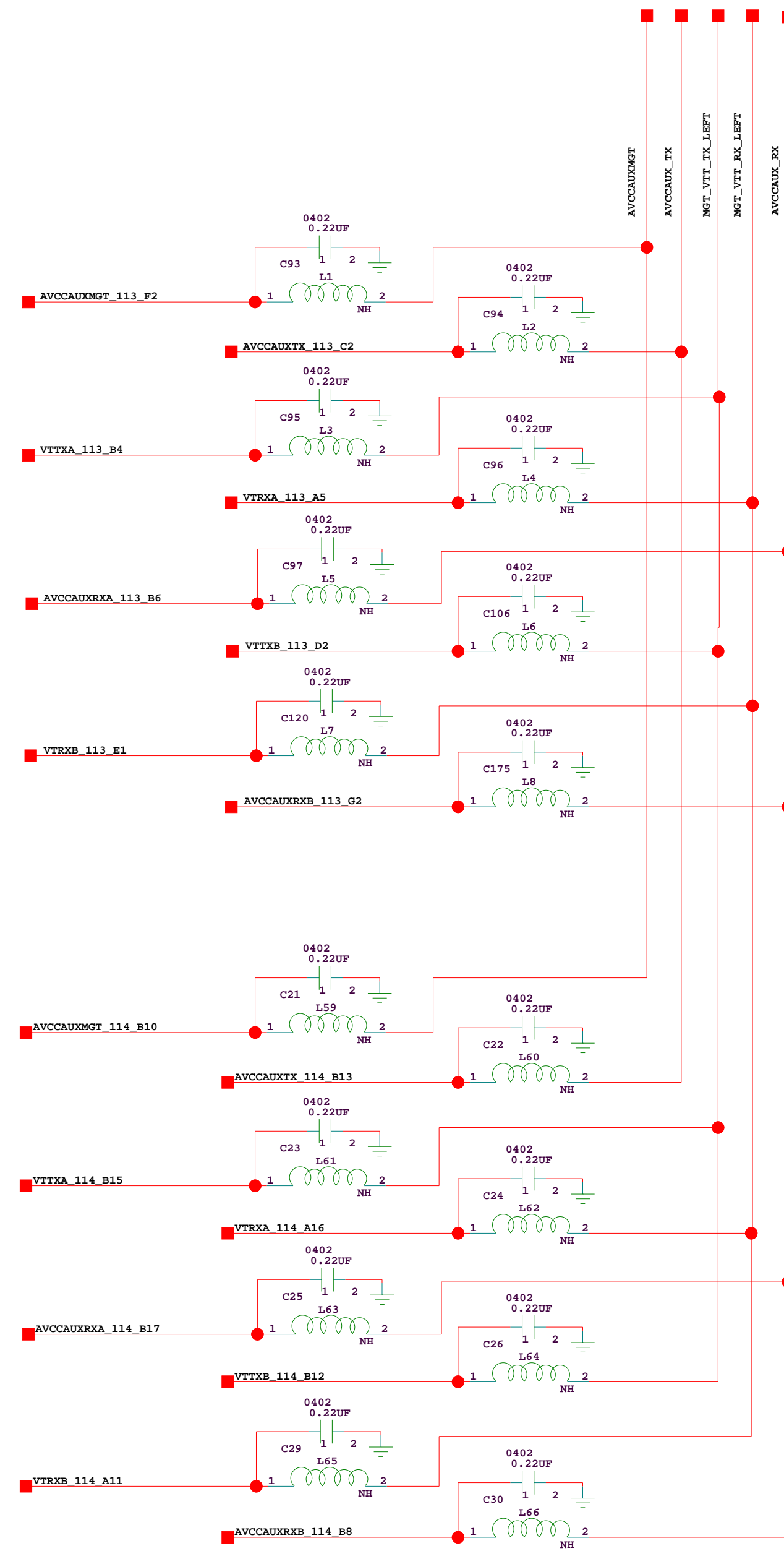
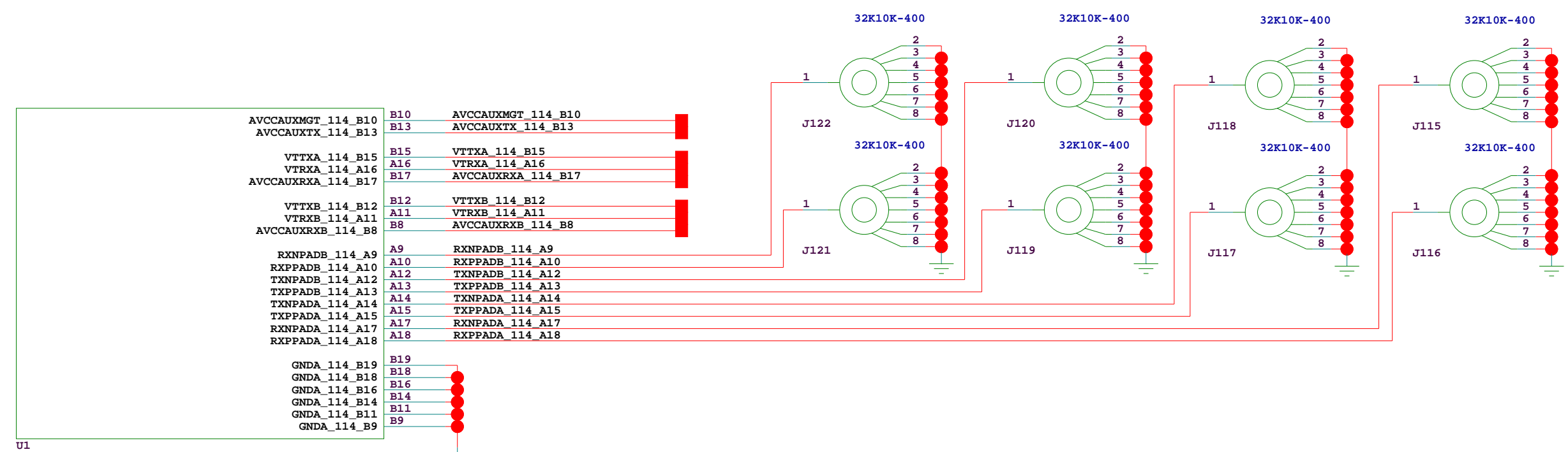
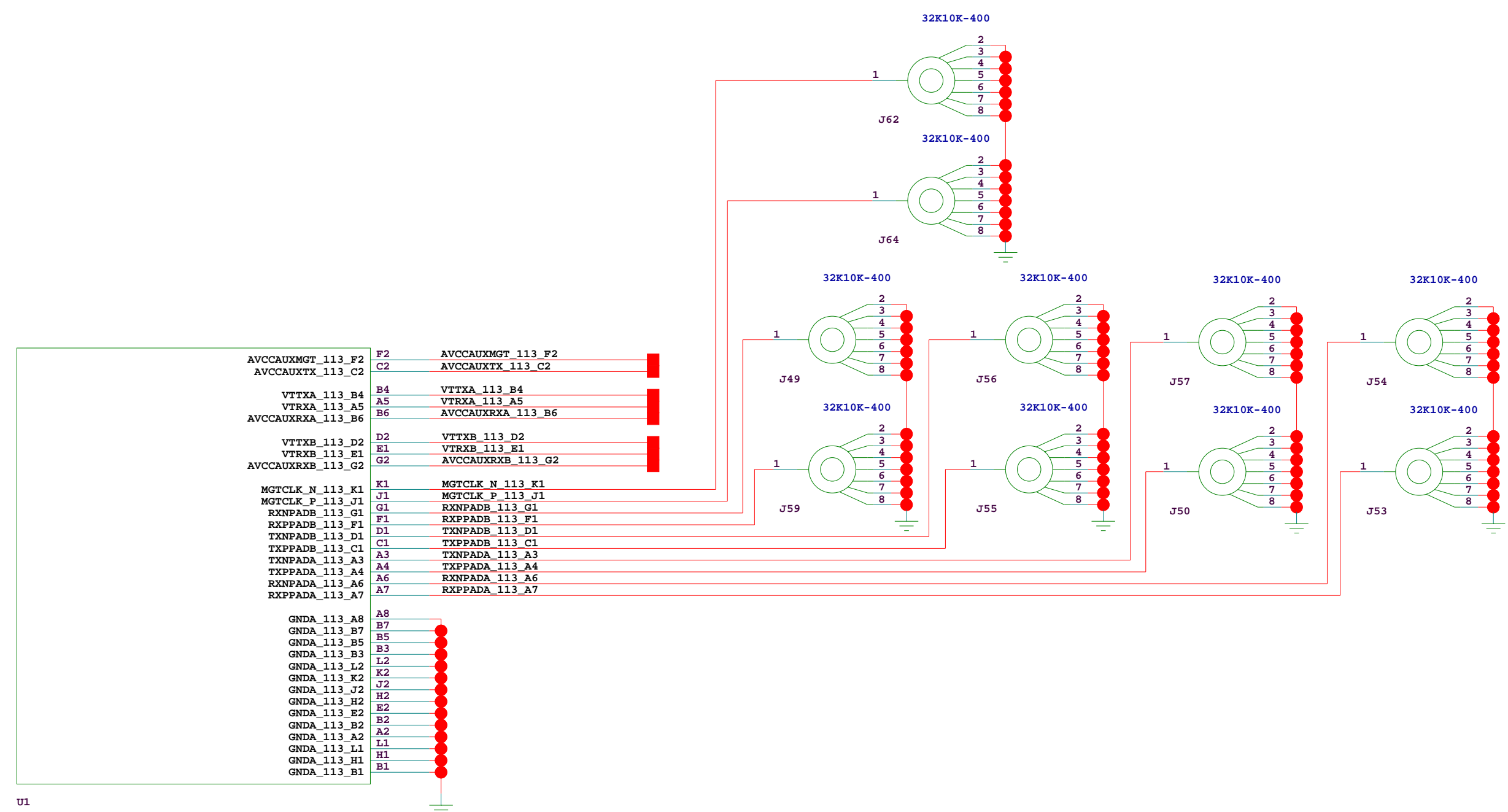
**XILINX**

Title: Schematic, ROHS COMPLIANT, ML423 FP1152, 1280358  
0381190

Date: 01-23-02 Ver: D  
Sheet Size: B Rev: 01  
Sheet 2 of 11 Drawn By: B.M/S.S

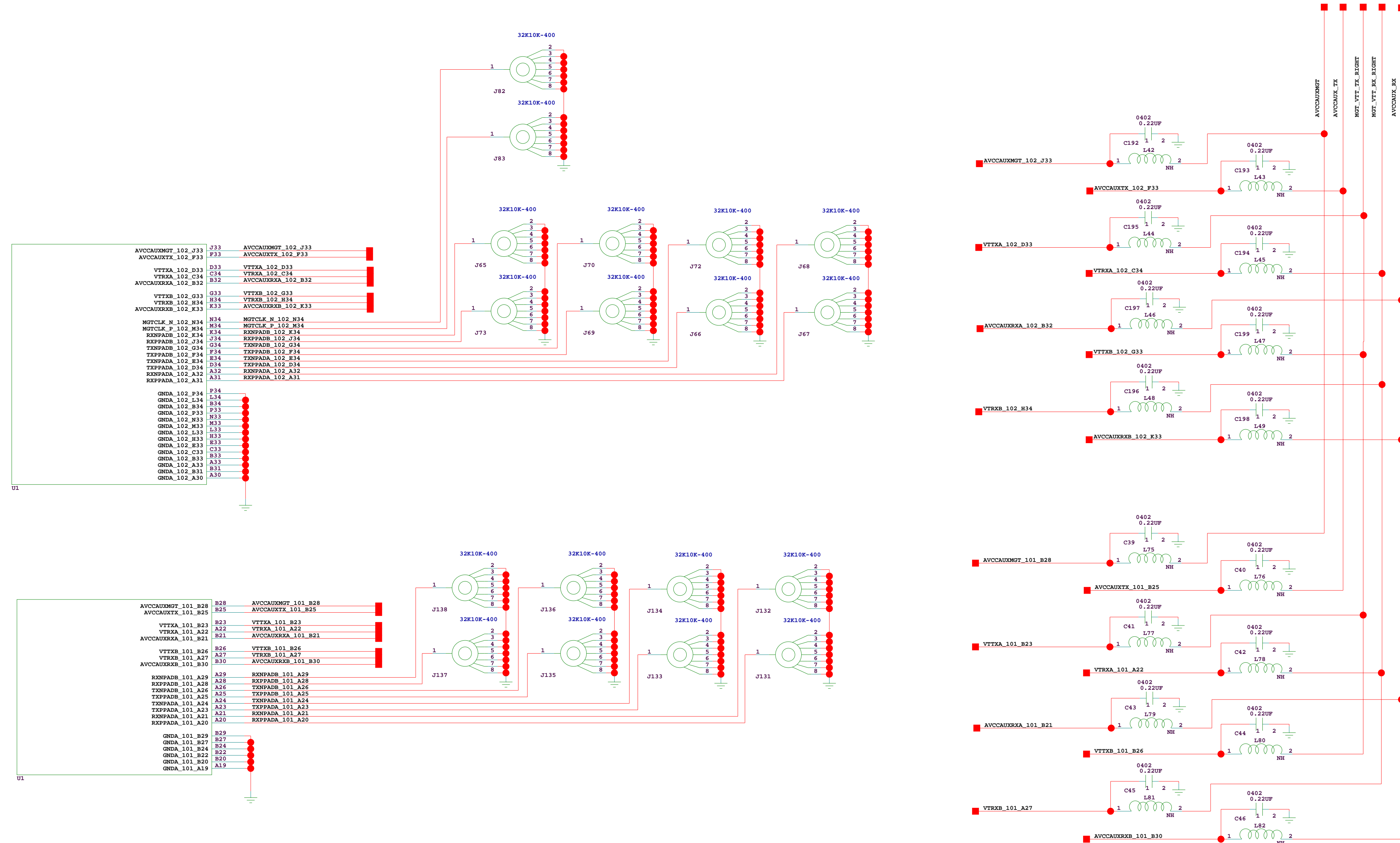






MGTS RIGHT SIDE





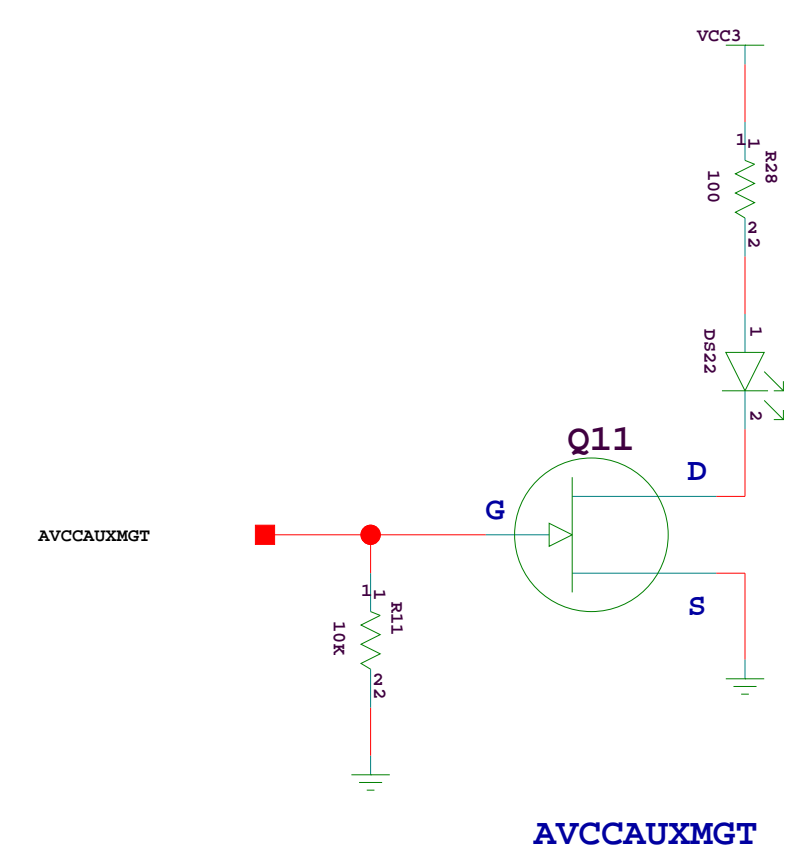
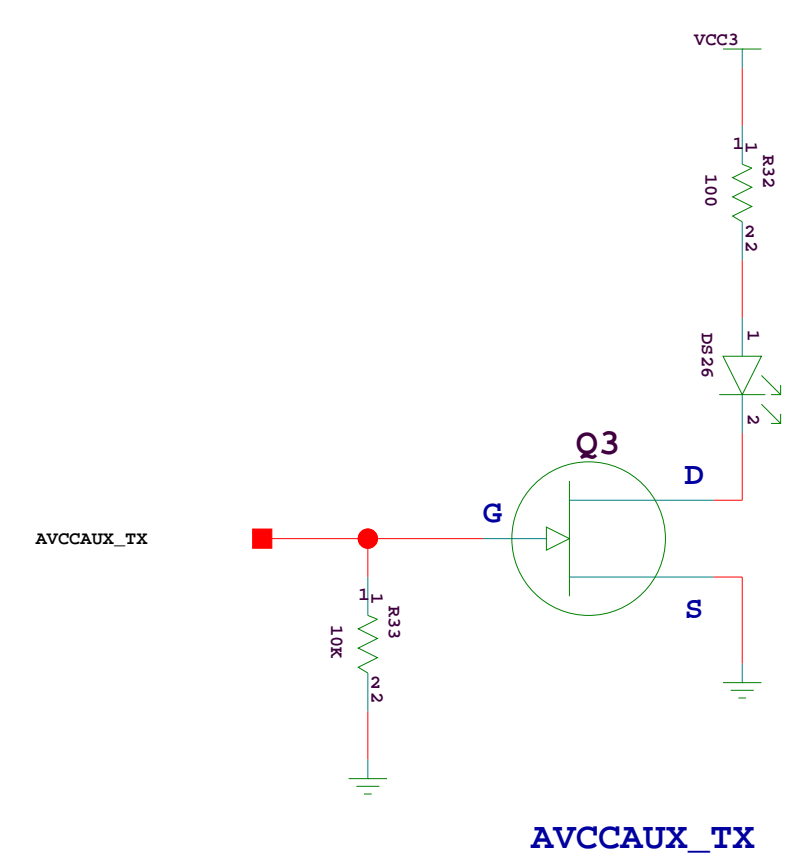
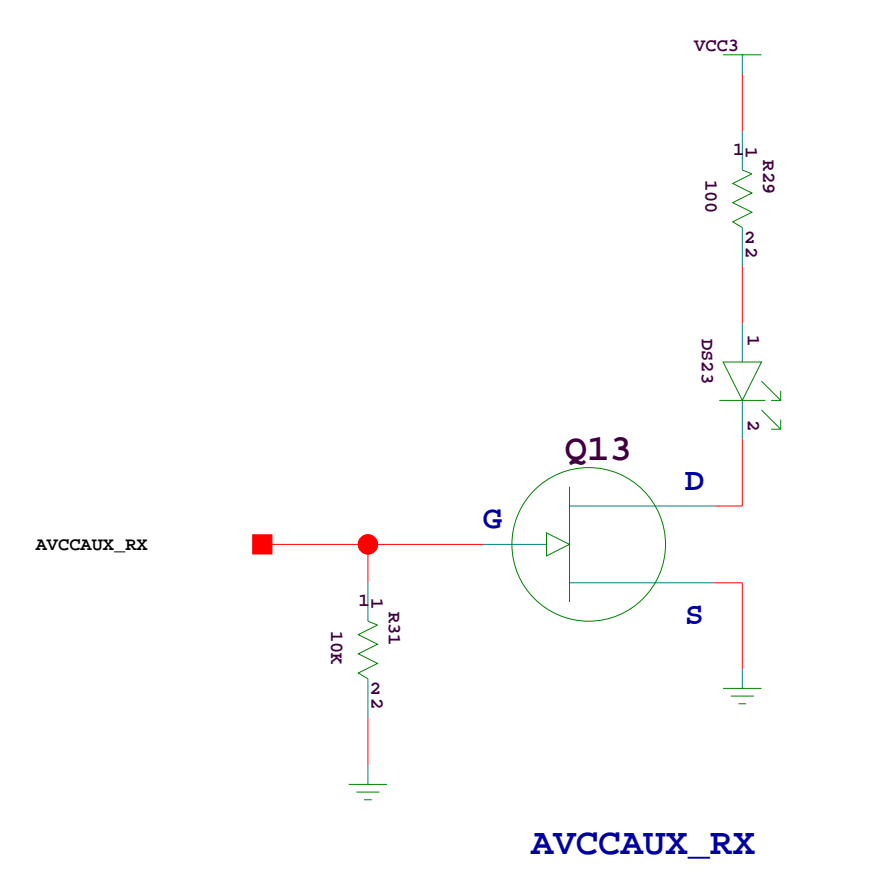
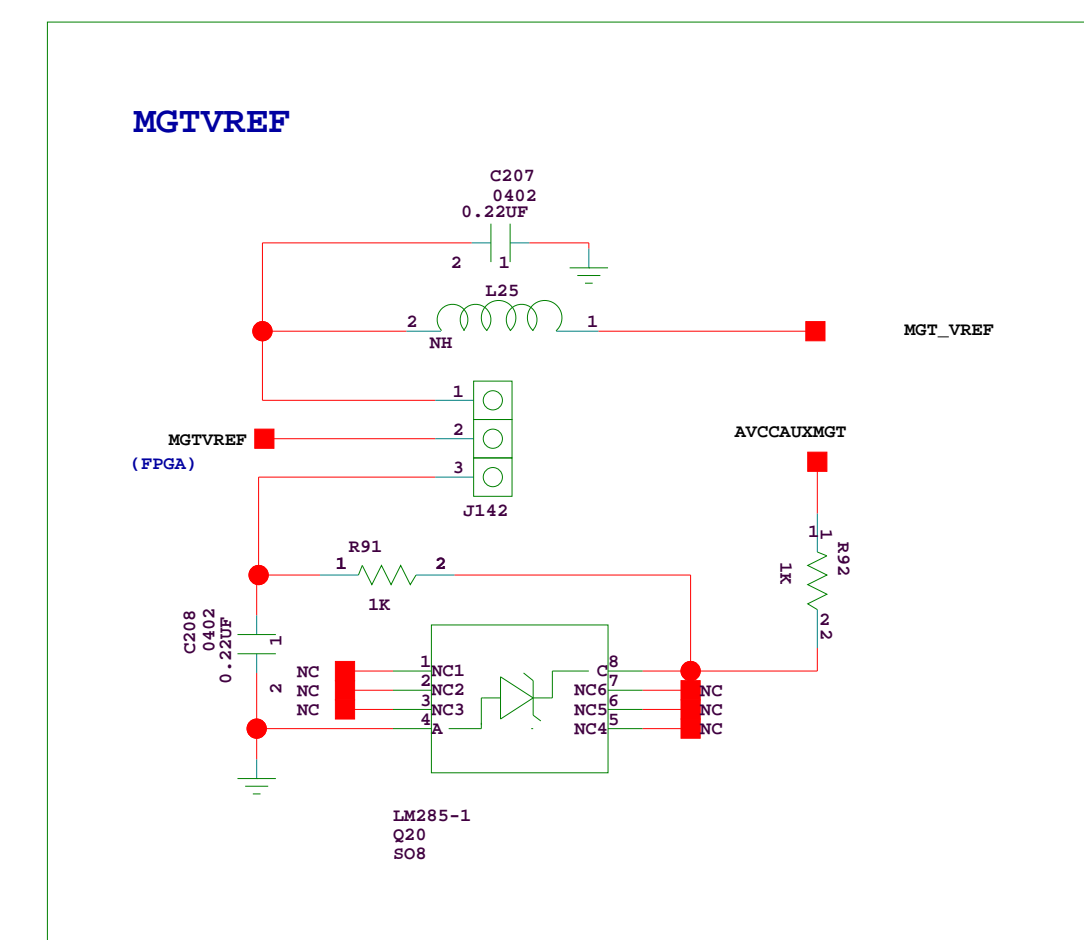
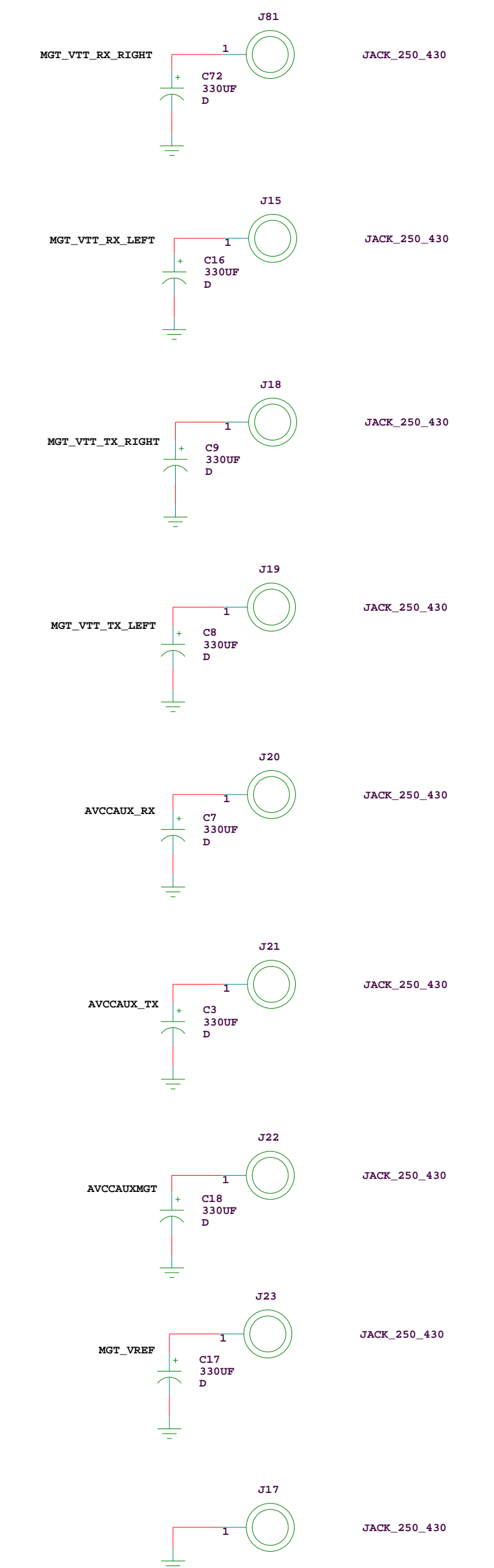
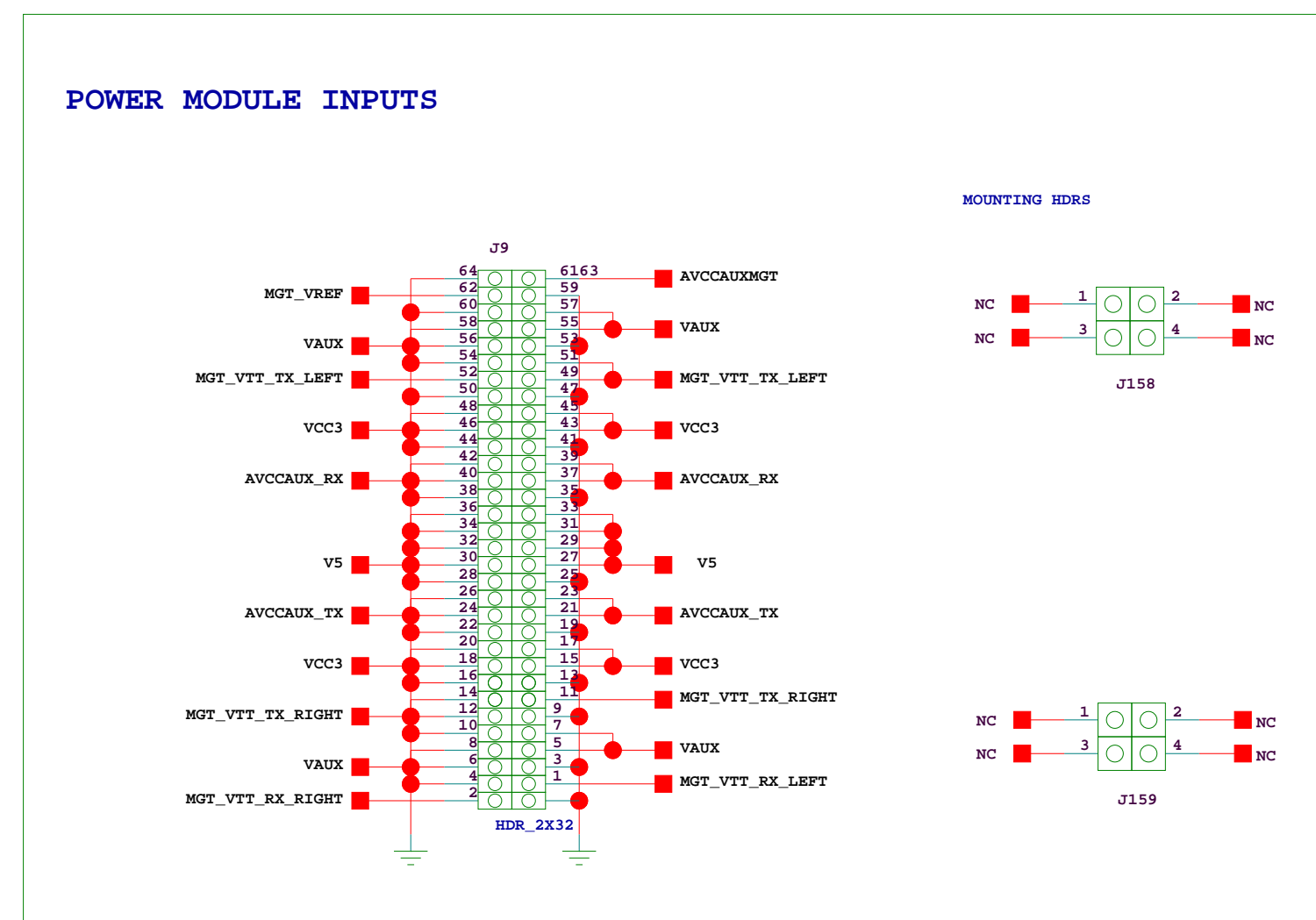
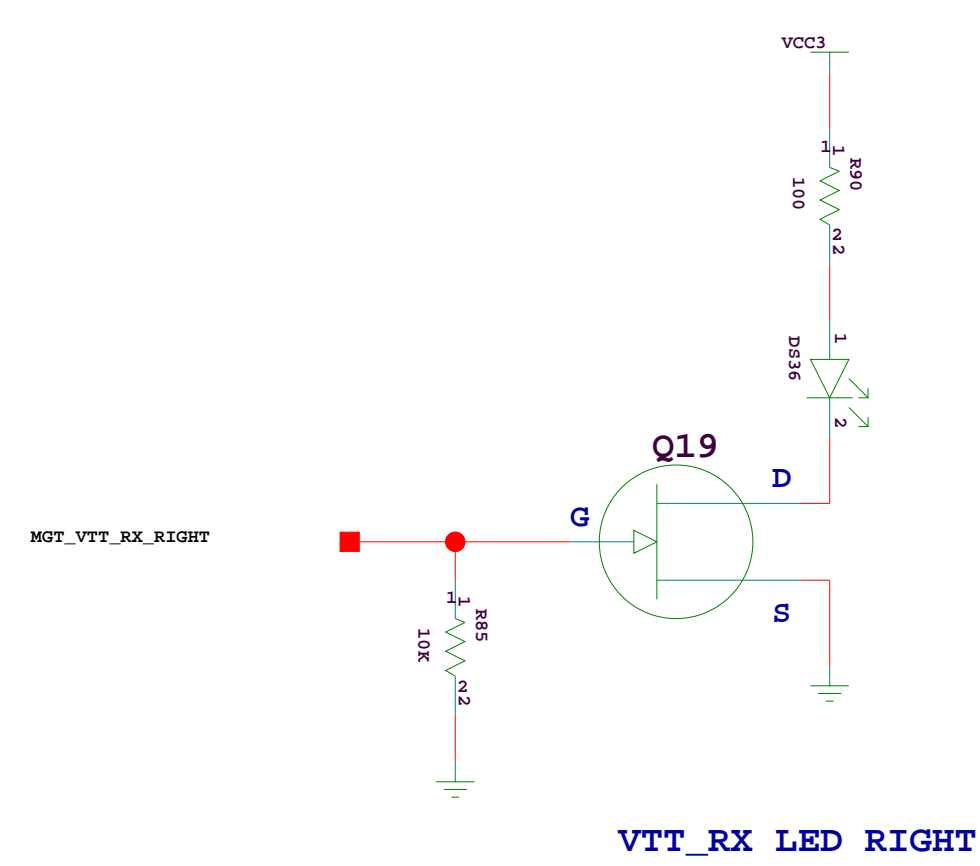
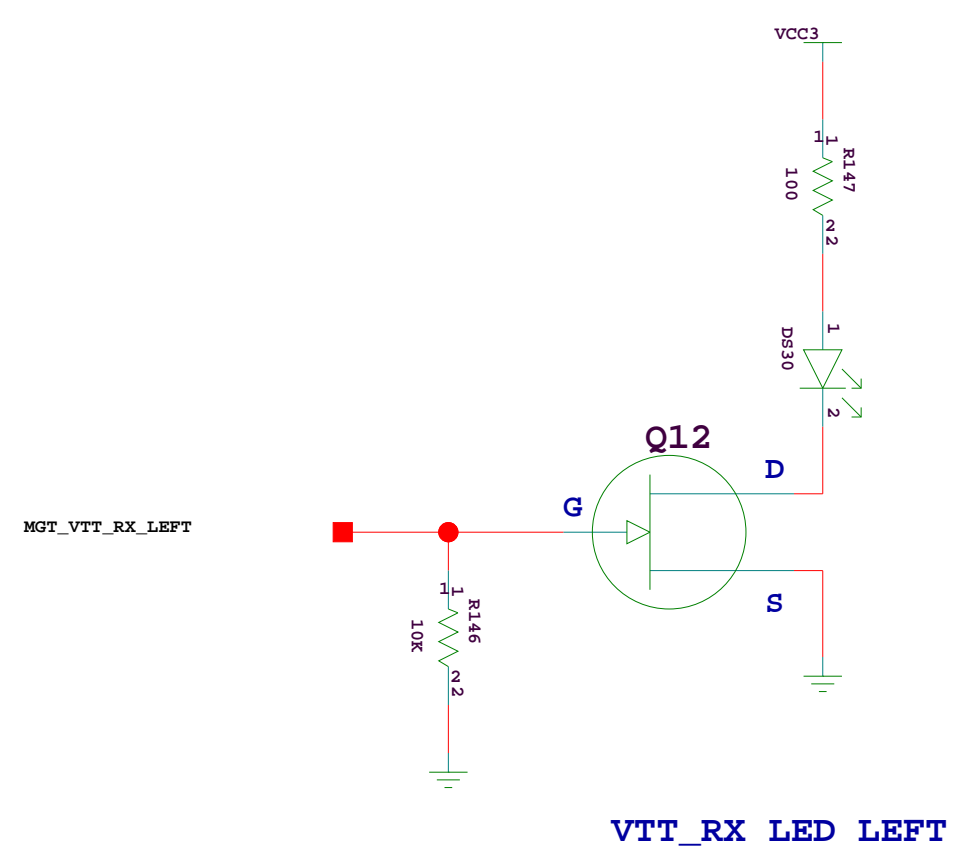
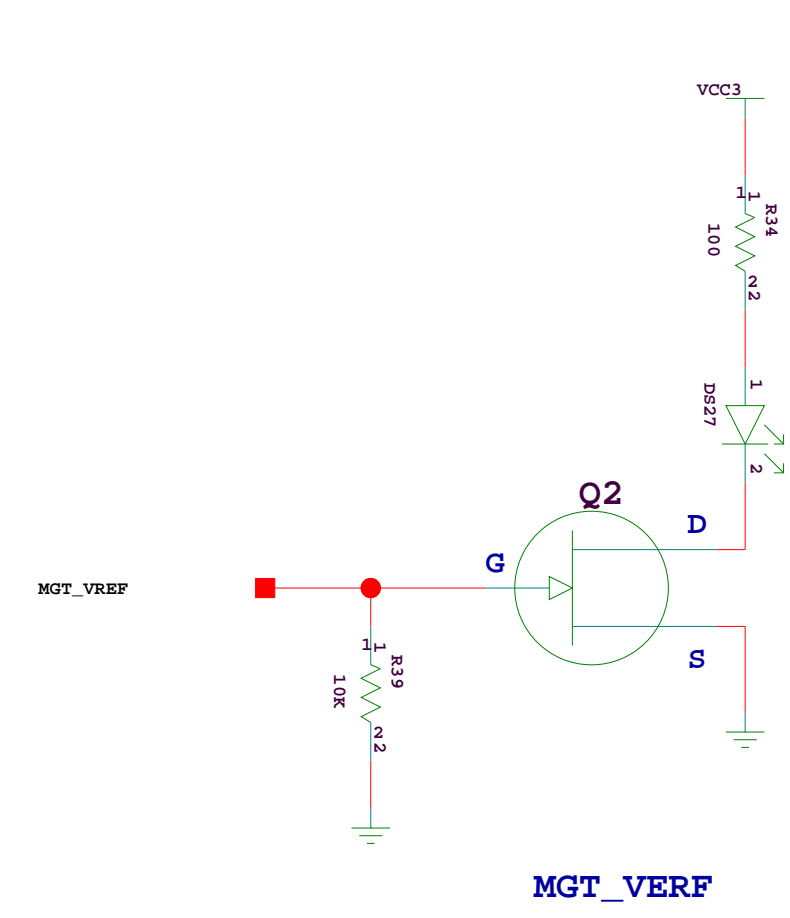
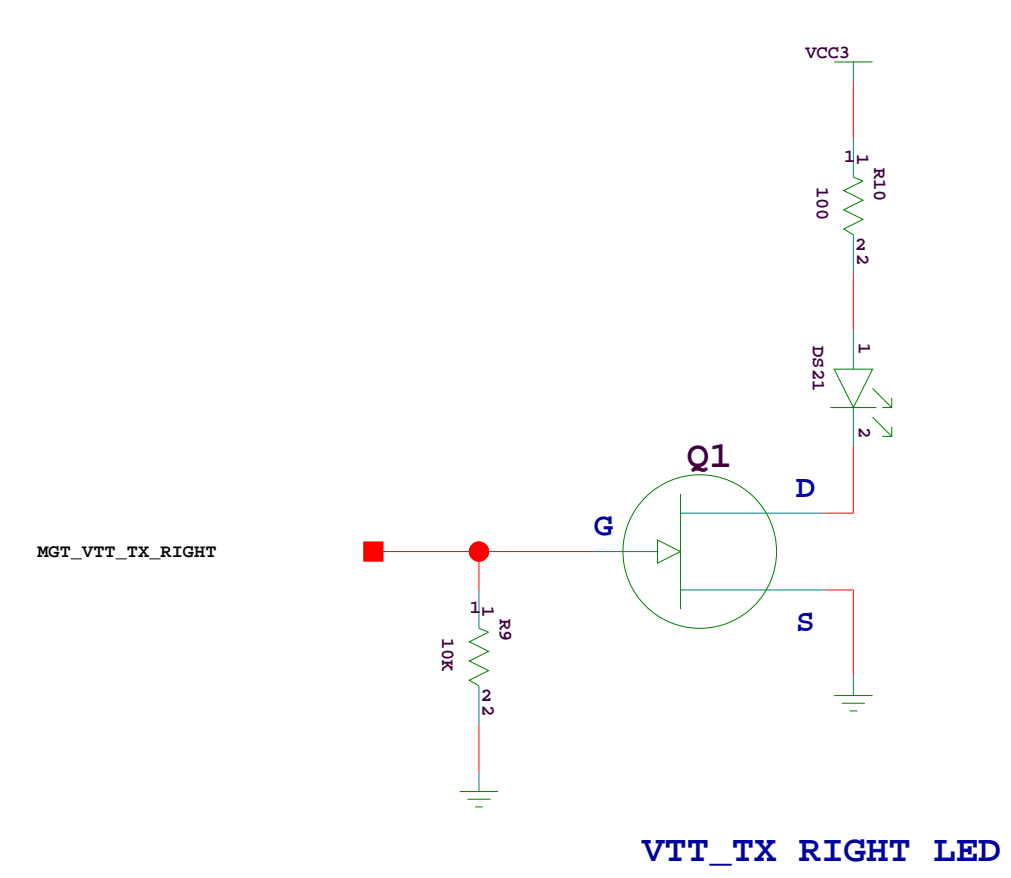
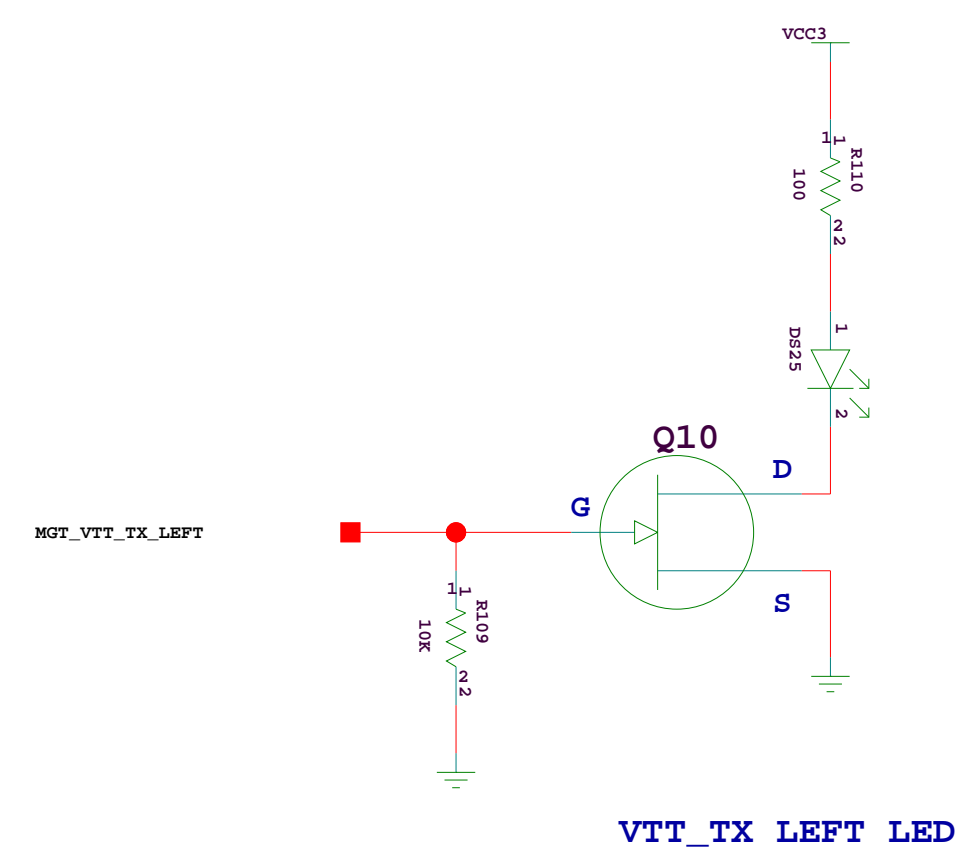
**MGTs LEFT SIDE**



Title: Schematic, ROHS COMPLIANT, ML423 PF1152, 1280358  
0381190

Date: Ver: D  
Sheet Size: B Rev: 01  
Sheet 6 of 11 Drawn By



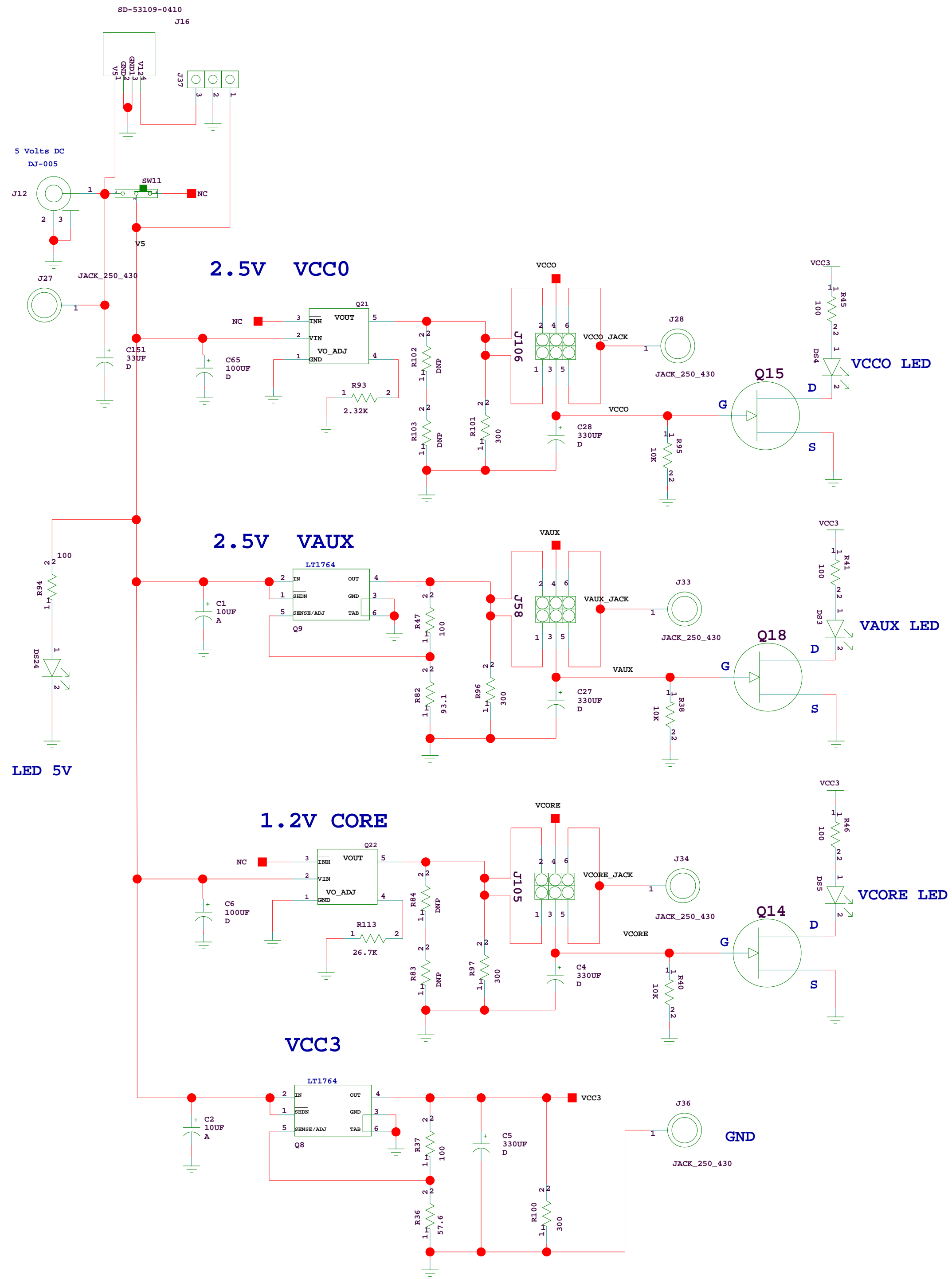


## Rocket I/O Power Supply Module



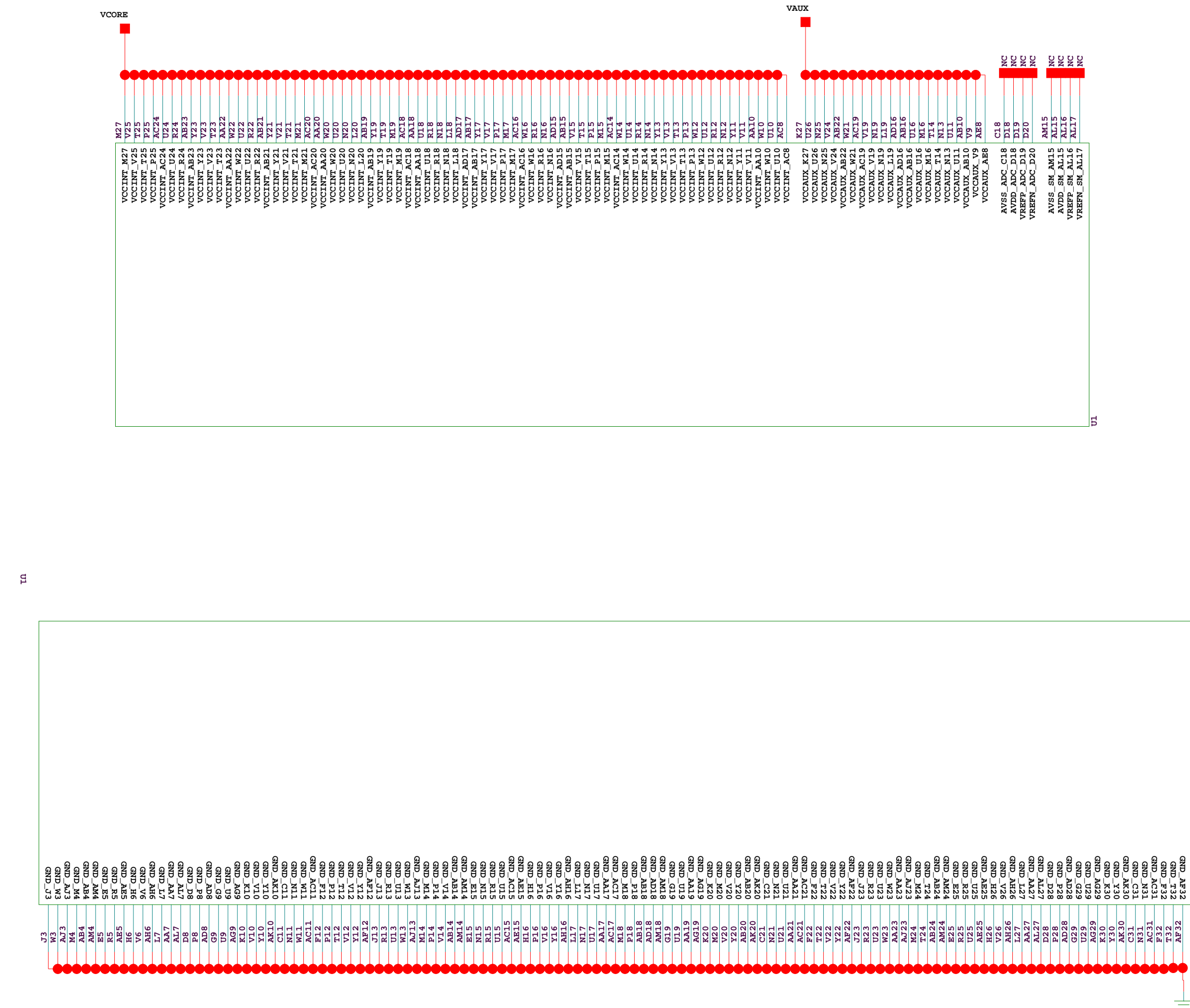


$$V_{out} = 1.21 (1 + R2/R1)$$

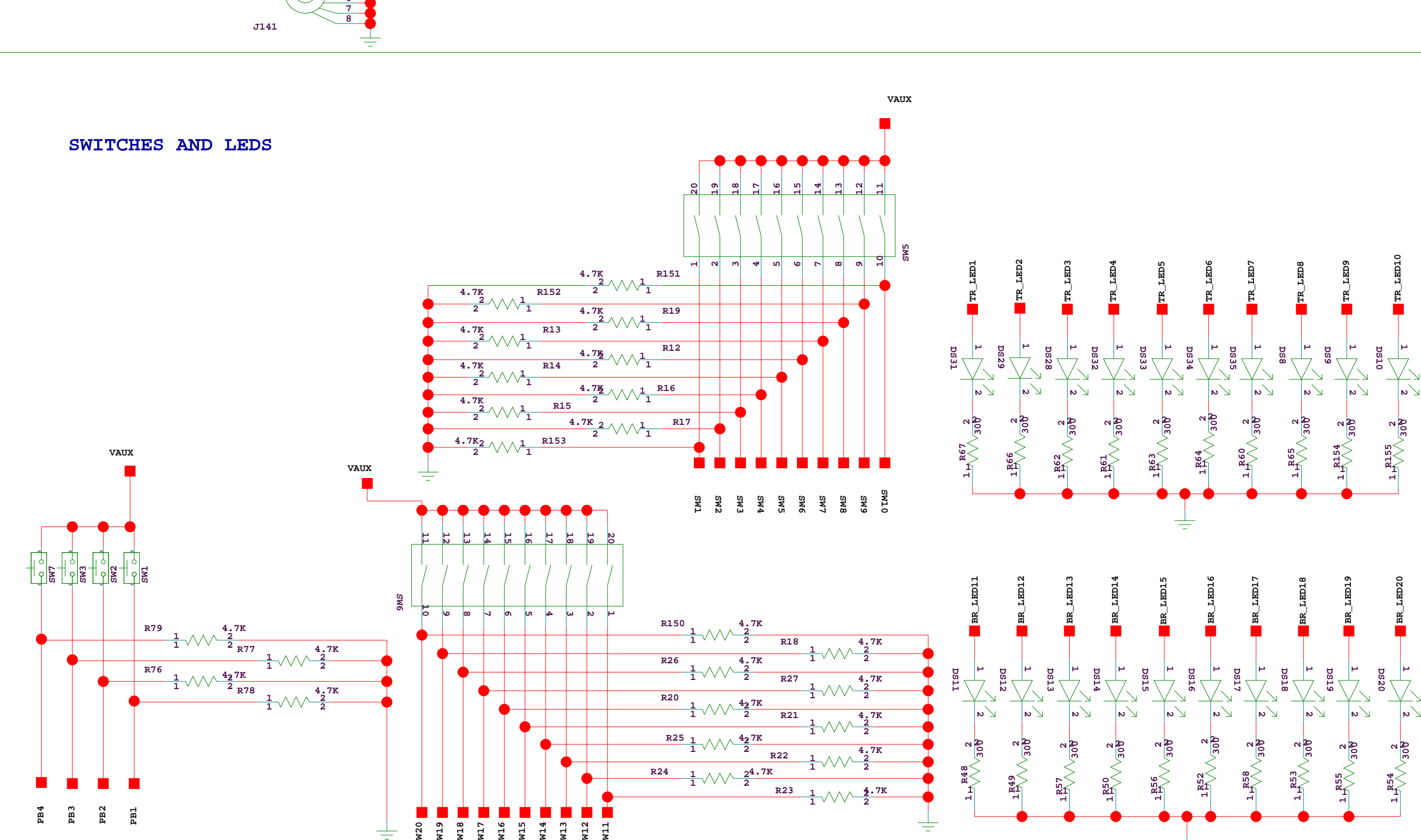
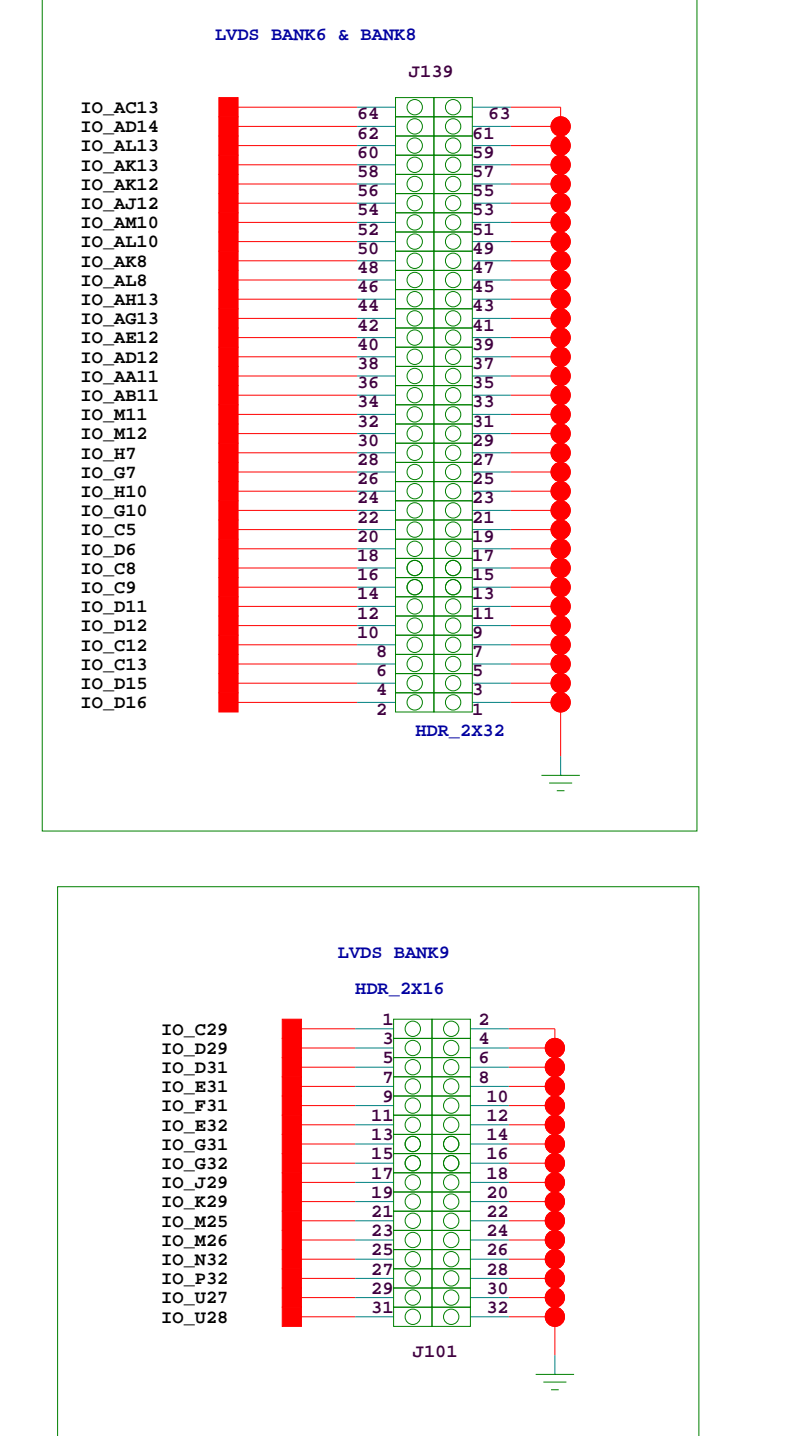
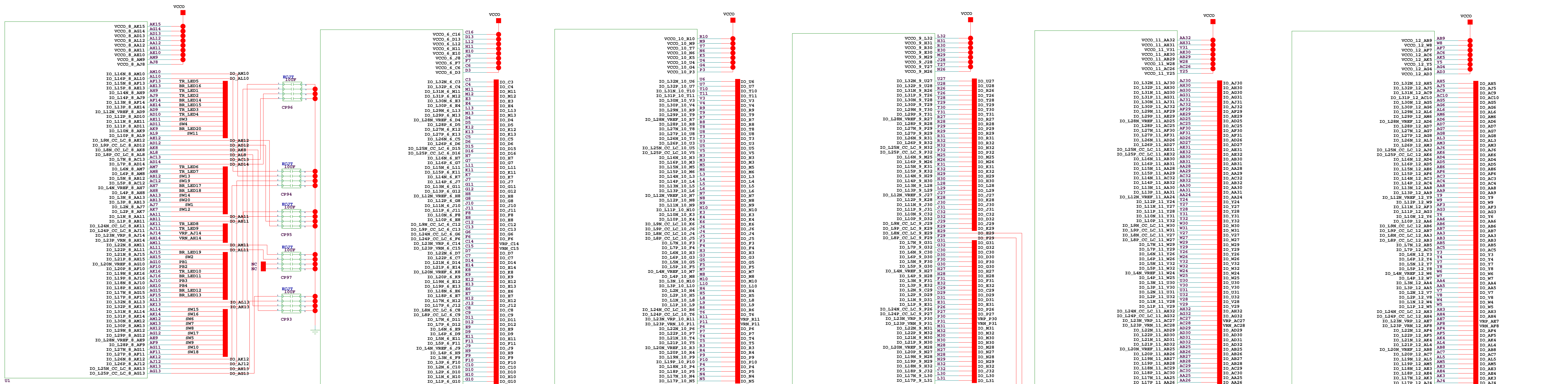


DUT POWER PINS

## FPGA Power Supply Section





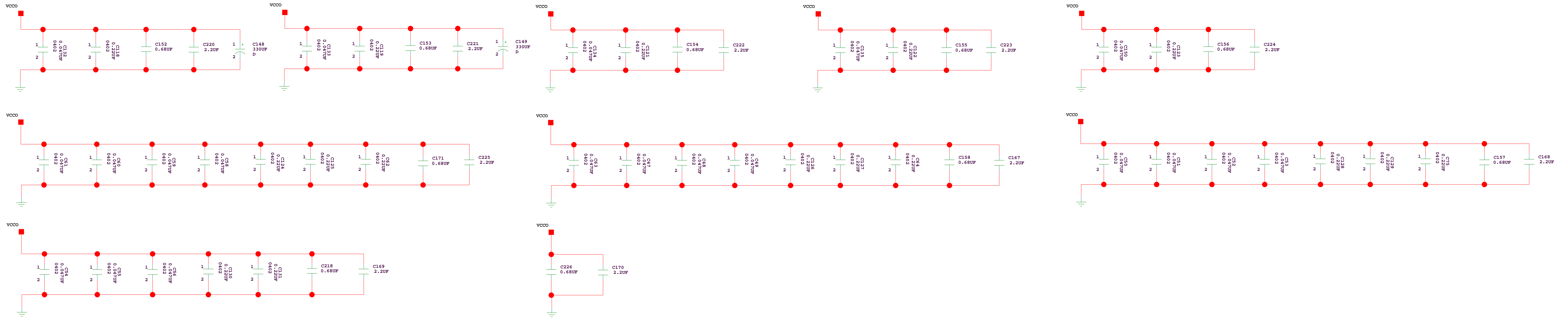


# GENERAL PURPOSE SWITCHES AND LEDS

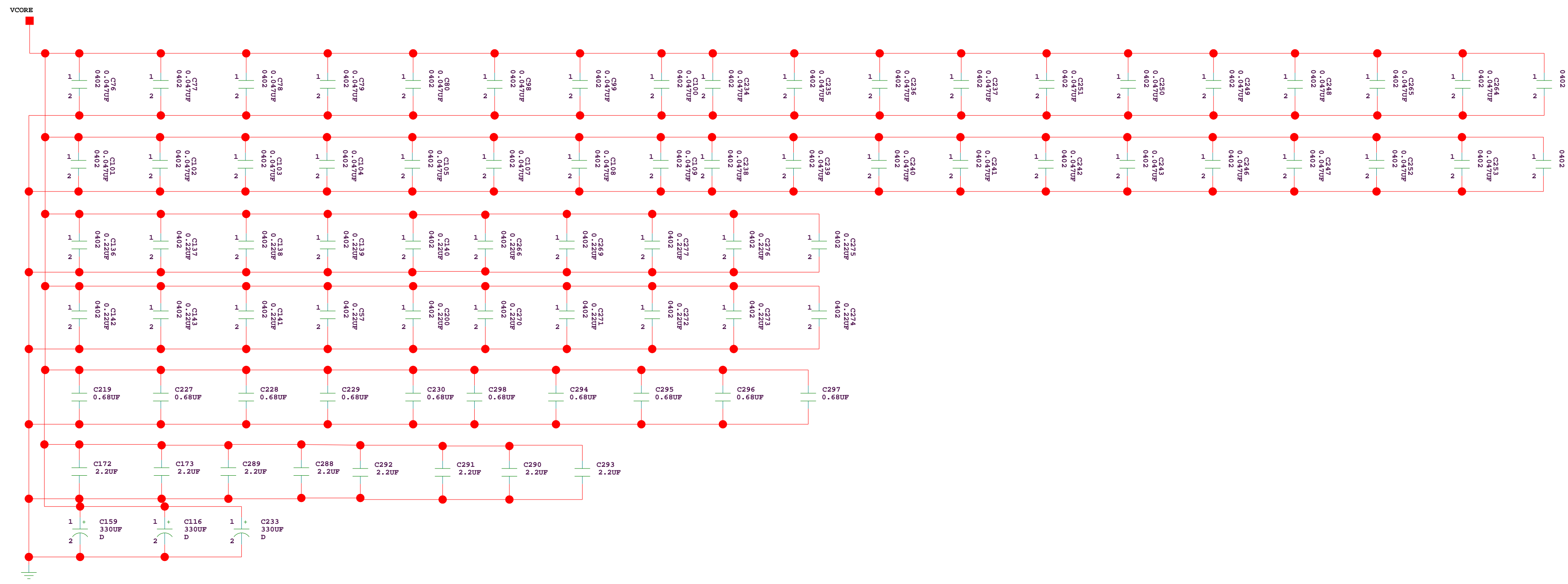


# U1 DECOUPLING

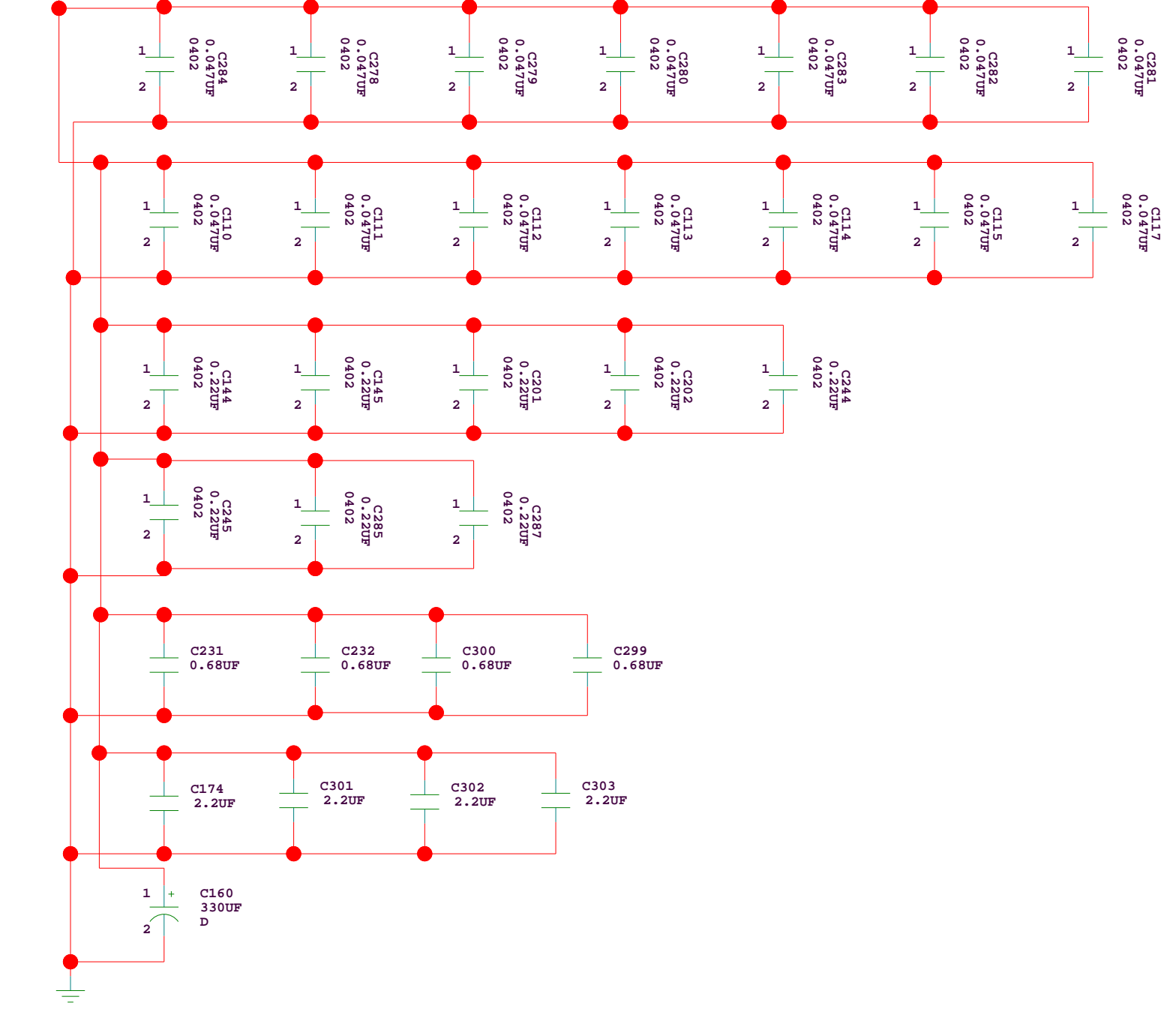
## U1 VCCO BANK DECOUPLING



## U1 VCCINT DECOUPLING



## U1 VCCAUX DECOUPLING



# DECOUPLING CAPACITORS

Title: Schematic, ROHS COMPLIANT, ML423 PF1152, 1280358  
0381190  
Date: 3-14-2007\_15:56 Ver: D  
Sheet Size: B Rev: 01  
Sheet 11 of 11 Drawn By: s.s