

Part Number: HW-FMC-XM101-G


Product Name: FMC XM101 LVDS QSE Card

Disclaimer:

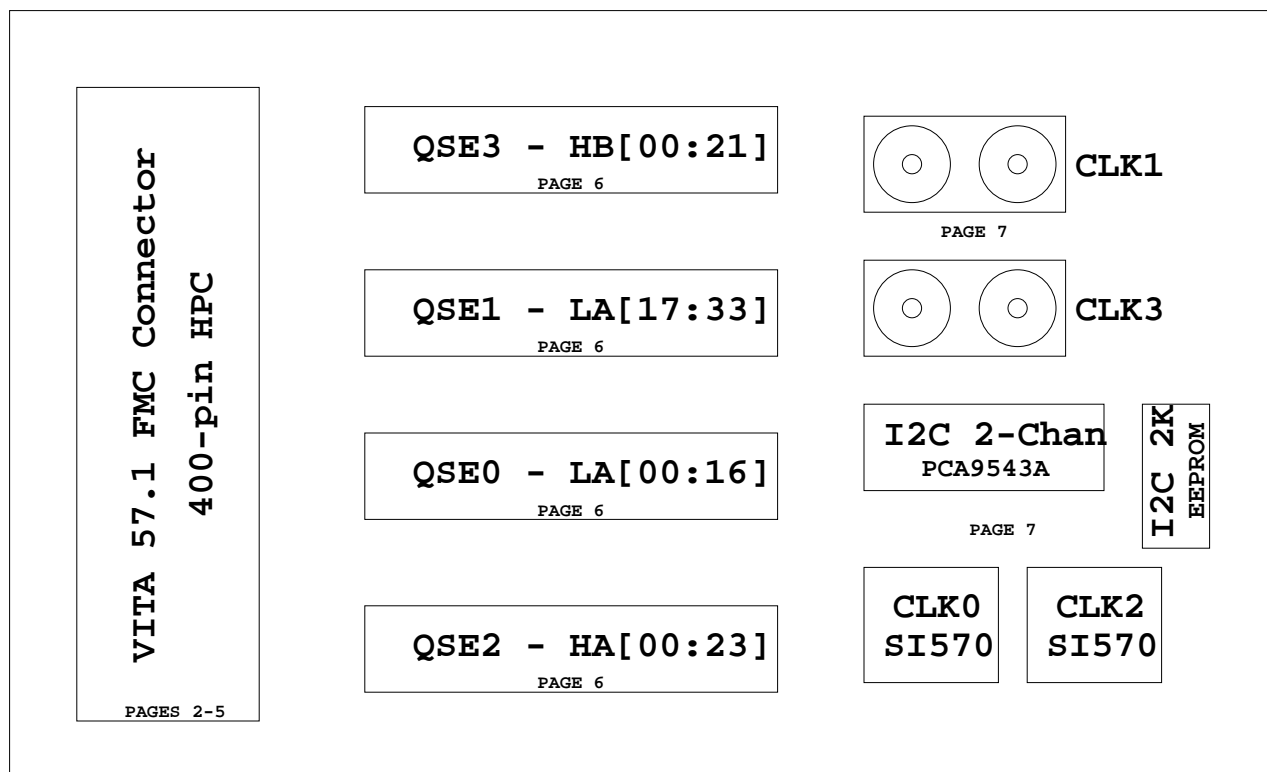
Xilinx is disclosing this user guide, manual, release note, schematic, and/or specification (the "Documentation") to you solely for use in the development of designs to operate with Xilinx hardware devices. You may not reproduce, distribute, republish, download, display, post, or transmit the Documentation in any form or by any means including, but not limited to, electronic, mechanical, photocopying, recording, or otherwise, without the prior written consent of Xilinx.


Xilinx expressly disclaims any liability arising out of your use of the Documentation. Xilinx reserves the right, at its sole discretion, to change the Documentation without notice at any time. Xilinx assumes no obligation to correct any errors contained in the Documentation, or to advise you of any corrections or updates. Xilinx expressly disclaims any liability in connection with technical support or assistance that may be provided to you in connection with the Documentation.

THE DOCUMENTATION IS DISCLOSED TO YOU "AS-IS" WITH NO WARRANTY OF ANY KIND. XILINX MAKES NO OTHER WARRANTIES, WHETHER EXPRESS, IMPLIED, OR STATUTORY, REGARDING THE DOCUMENTATION, INCLUDING ANY WARRANTIES OF MERCHANTABILITY, FITNESS FOR A PARTICULAR PURPOSE, OR NON-INFRINGEMENT OF THIRD-PARTY RIGHTS. IN NO EVENT WILL XILINX BE LIABLE FOR ANY CONSEQUENTIAL, INDIRECT, EXEMPLARY, SPECIAL, OR INCIDENTAL DAMAGES, INCLUDING ANY LOSS OF DATA OR LOST PROFITS, ARISING FROM YOUR USE OF THE DOCUMENTATION.

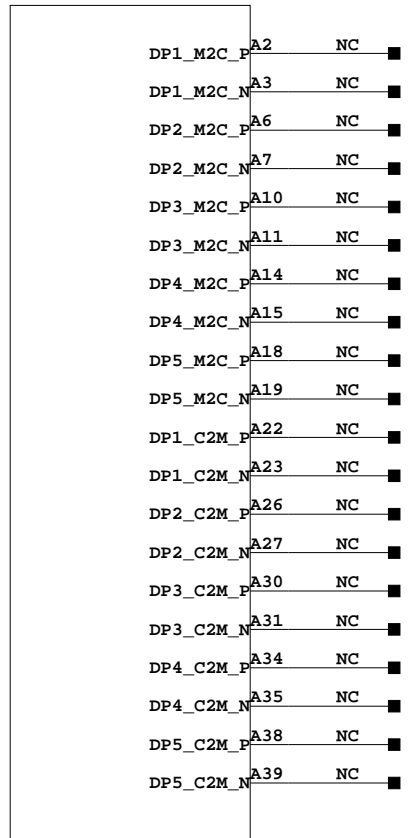
		SCH P/N 0381334
		PCB P/N 1280503
		ASSYP/N 0431565
Title: SCHEM, ROHS COMPLIANT, HW-FMC-XM101-G		
Date: 12-10-2009_8:10	Ver: B	
Sheet Size: B	Rev: 01	
Sheet 1 of 9	Drawn By EM	

Part Number: HW-FMC-XM101-G
 Product Name: FMC XM101 LVDS QSE Card

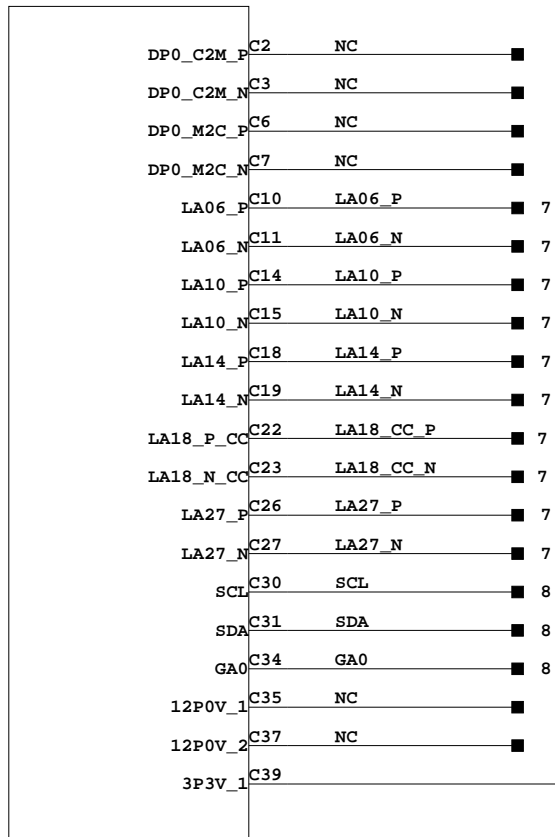


		SCH P/N 0381334
		PCB P/N 1280503
		ASSYP/N 0431565
Title: SCHEM, ROHS COMPLIANT, HW-FMC-XM101-G		
Date: 12-10-2009_8:10	Ver: B	
Sheet Size: B	Rev: 01	
Sheet 2 of 9	Drawn By EM	

J1

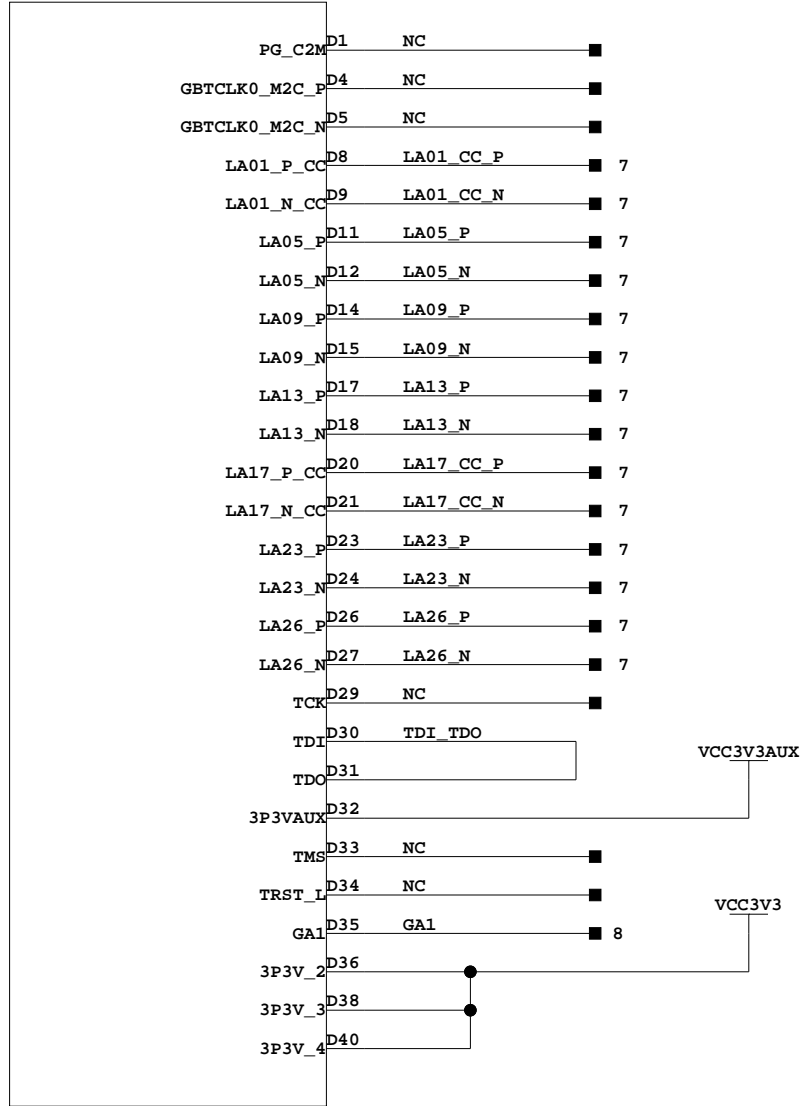


J1



VCC3V3

J1



VCC3V3AUX

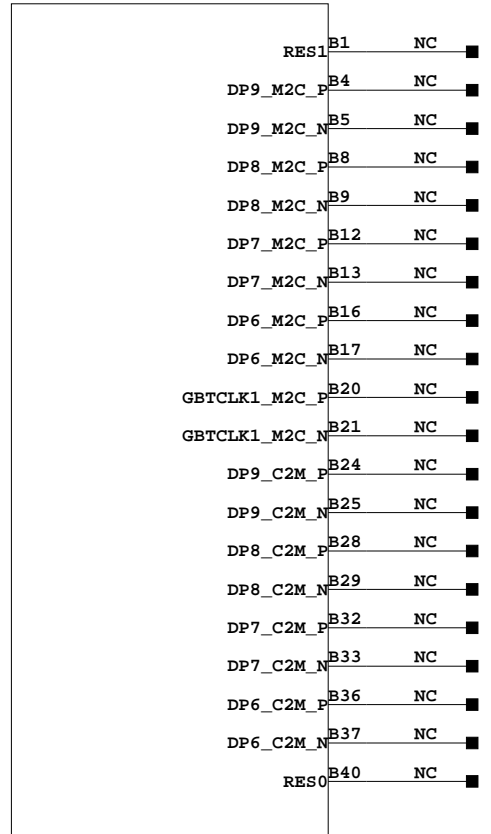
VCC3V3

ASP-134488-01

ASP-134488-01

ASP-134488-01

J1



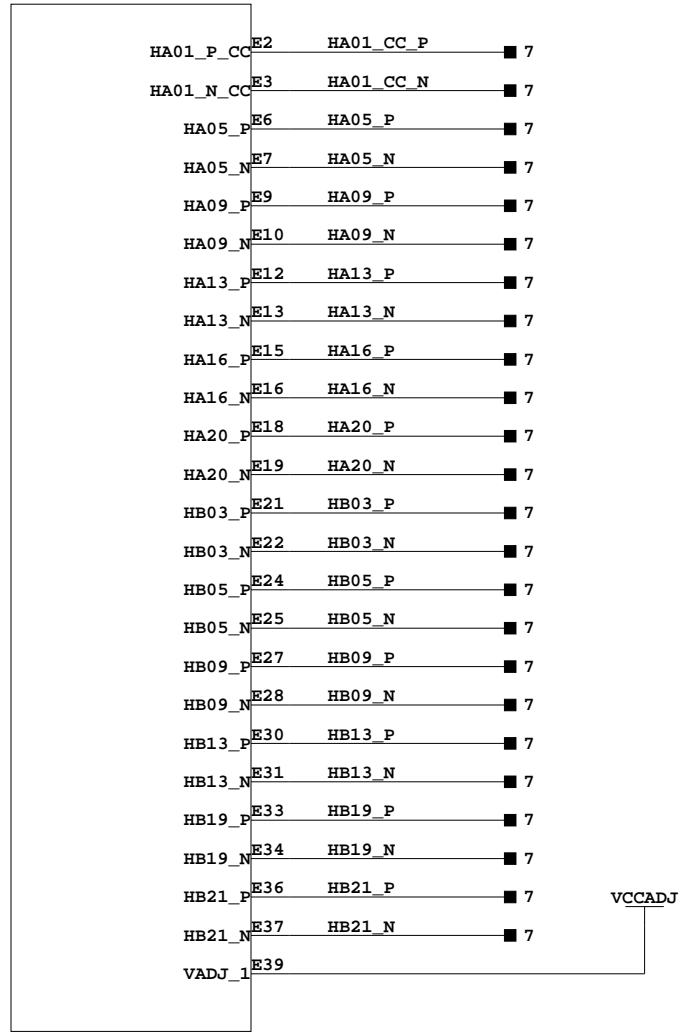
		SCH P/N 0381334	
		PCB P/N 1280503	
		ASSYP/N 0431565	
Title: SCHEM, ROHS COMPLIANT, HW-FMC-XM101-G			
FMC (ROWS A, B, C, D)			
Date: 12-9-2009_11:26		Ver: B	
Sheet Size: B		Rev: 01	
Sheet 3 of 9		Drawn By EM	

PG_M2C Is pulled up to 3.3V on the Carrier Card

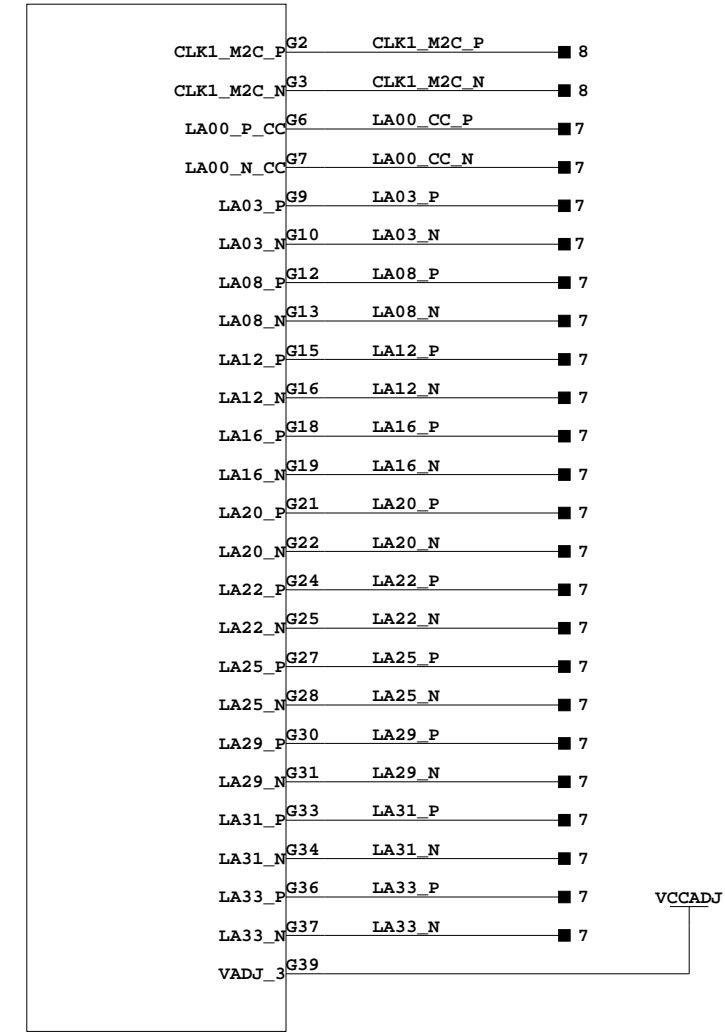
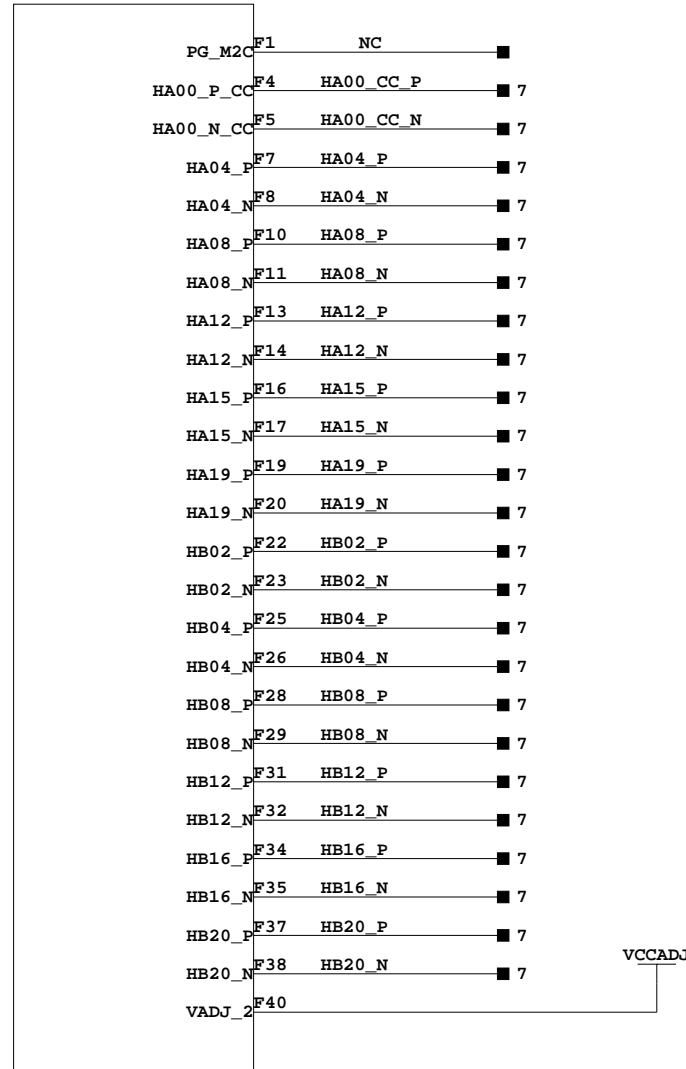
J1

J1


J1



ASP-134488-01



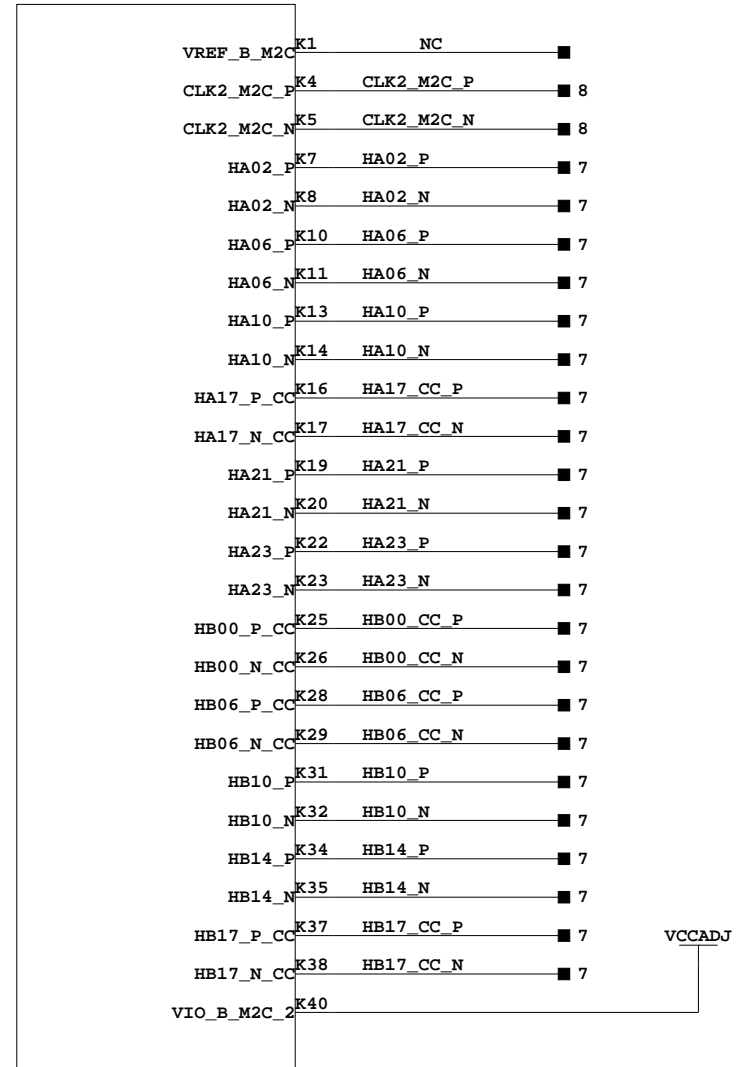
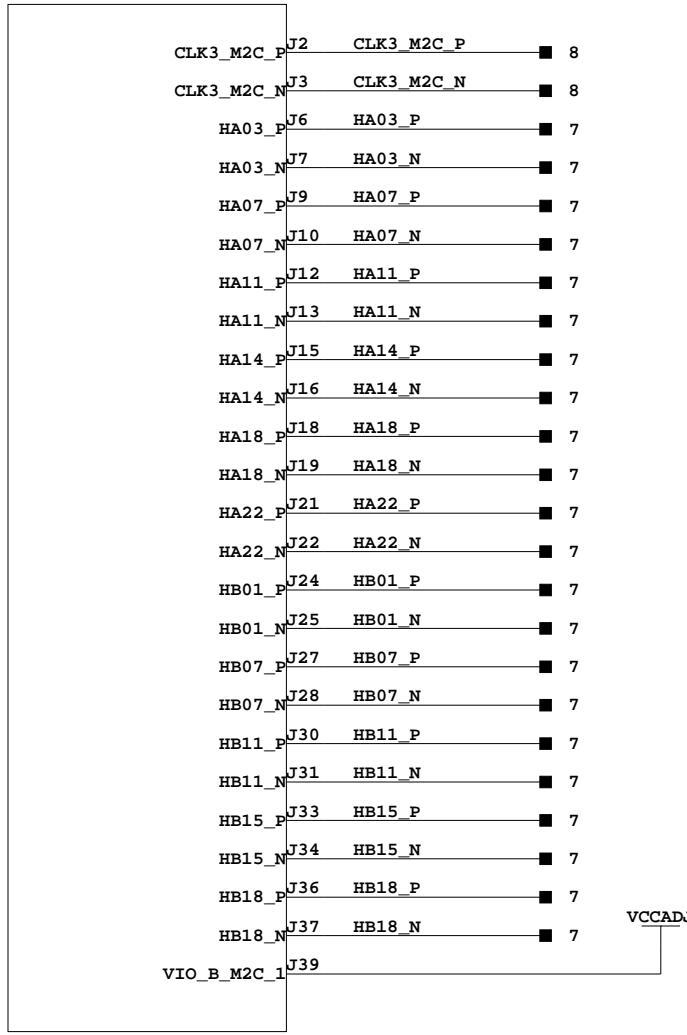
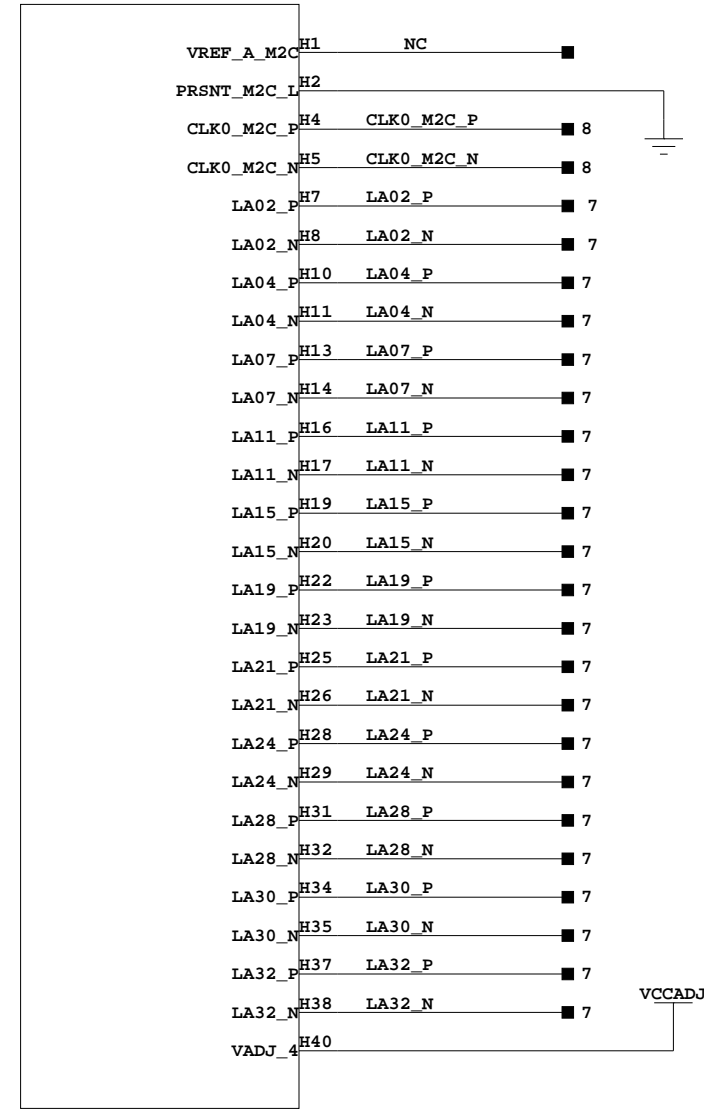
ASP-134488-01

		SCH P/N 0381334
		PCB P/N 1280503
		ASSYP/N 0431565
Title: SCHEM, ROHS COMPLIANT, HW-FMC-XM101-G FMC (ROWS E, F, G)		
Date: 12-9-2009_11:26	Ver: B	
Sheet Size: B	Rev: 01	
Sheet 4 of 9	Drawn By EM	

J1

J1

J1



ASP-134488-01

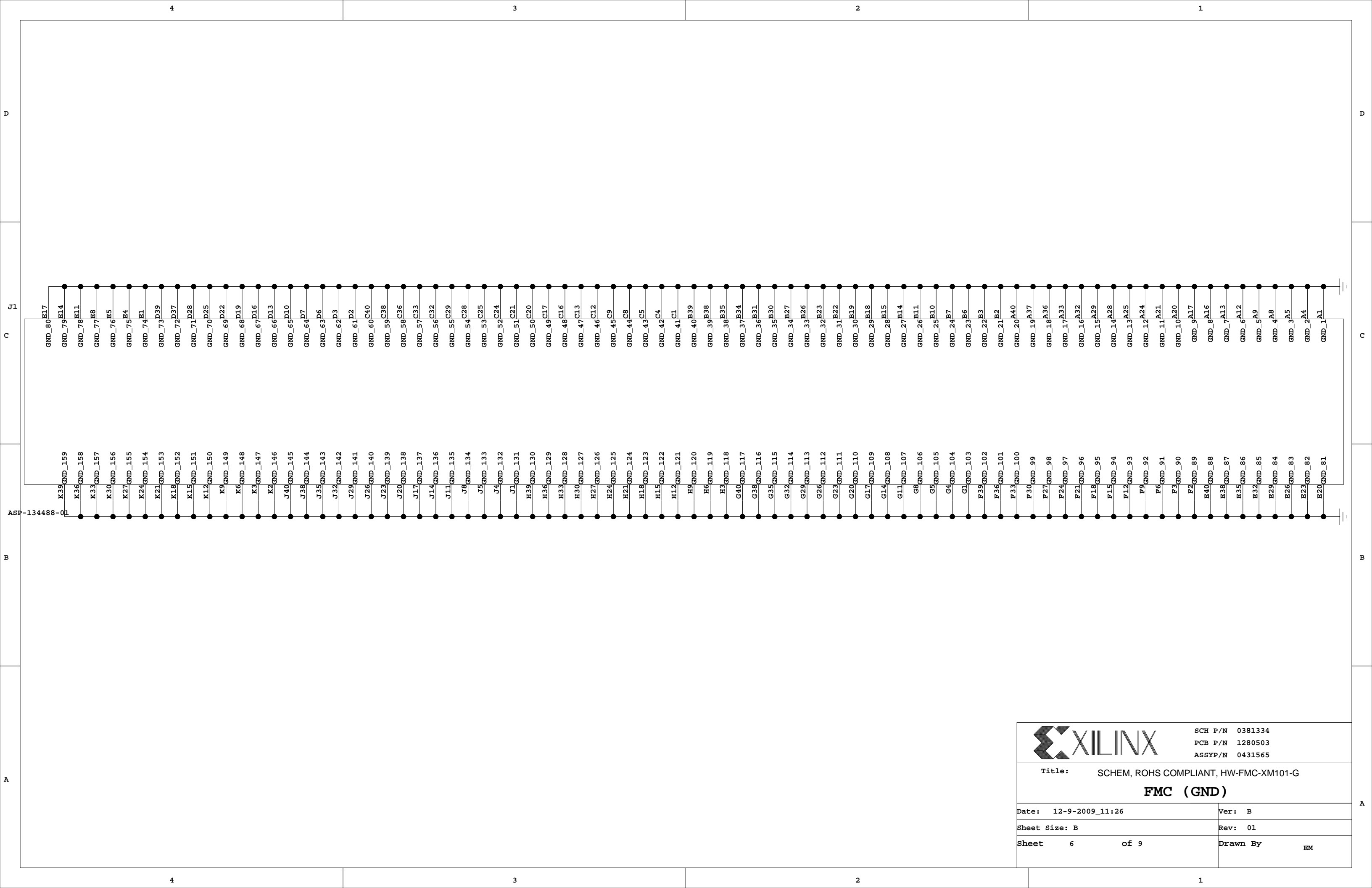
ASP-134488-01


ASP-134488-01



Title: SCHEM, ROHS COMPLIANT, HW-FMC-XM101-G
FMC (ROWS H, J, K)

Date: 12-9-2009_11:26	Ver: B
Sheet Size: B	Rev: 01
Sheet 5 of 9	Drawn By EM



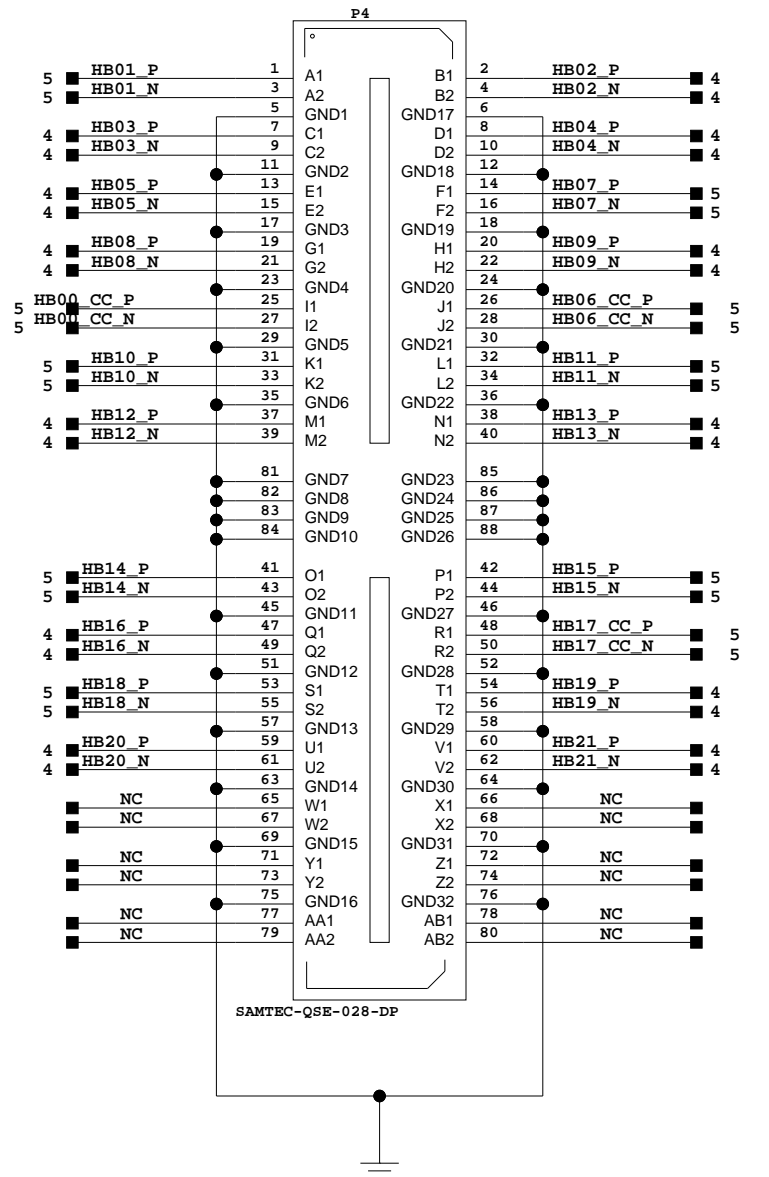
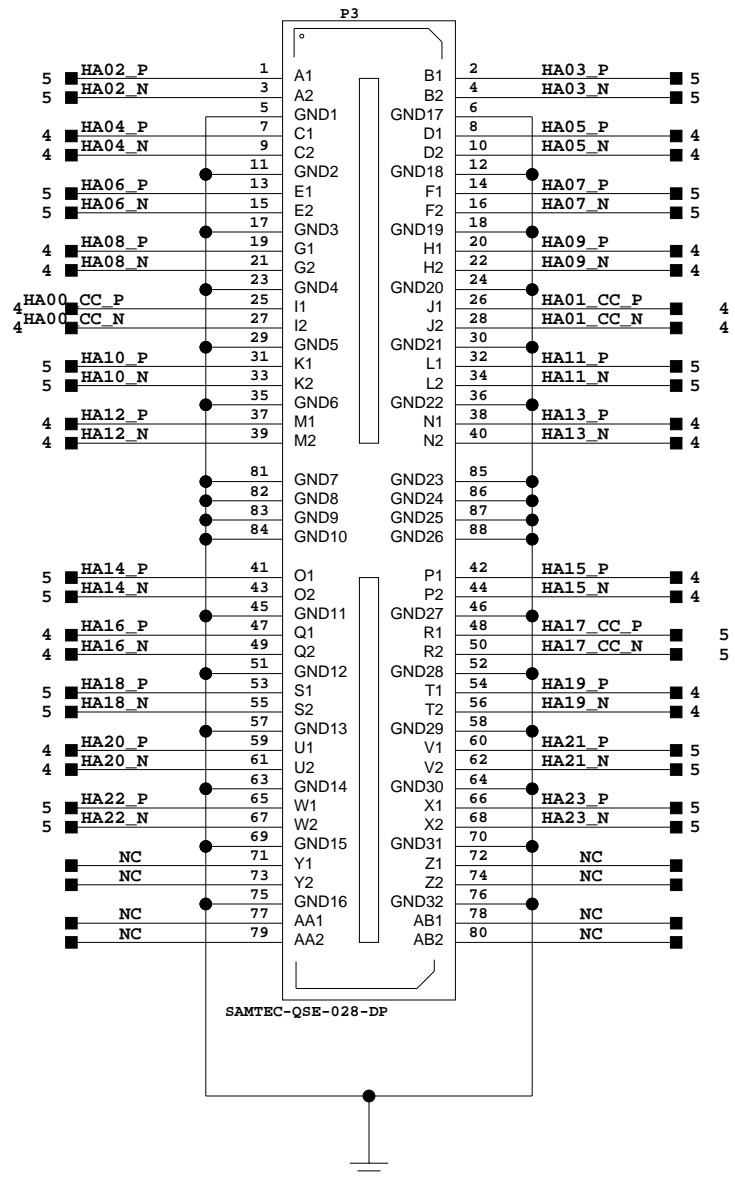
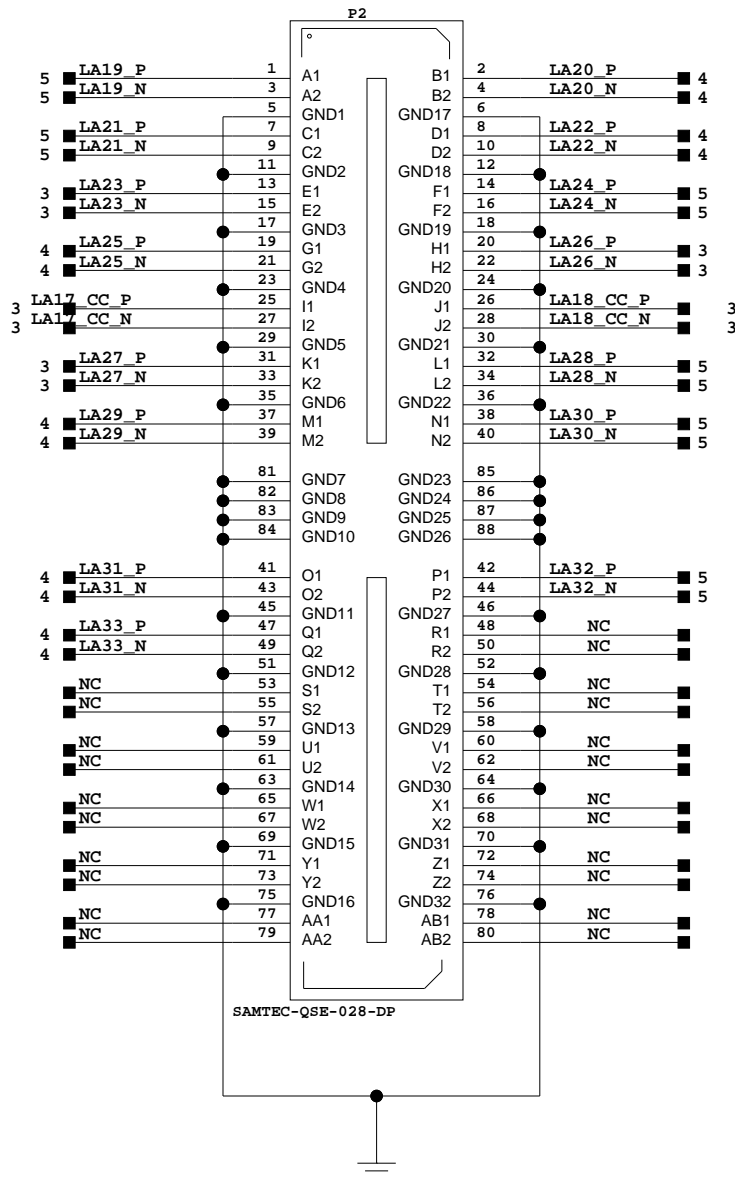
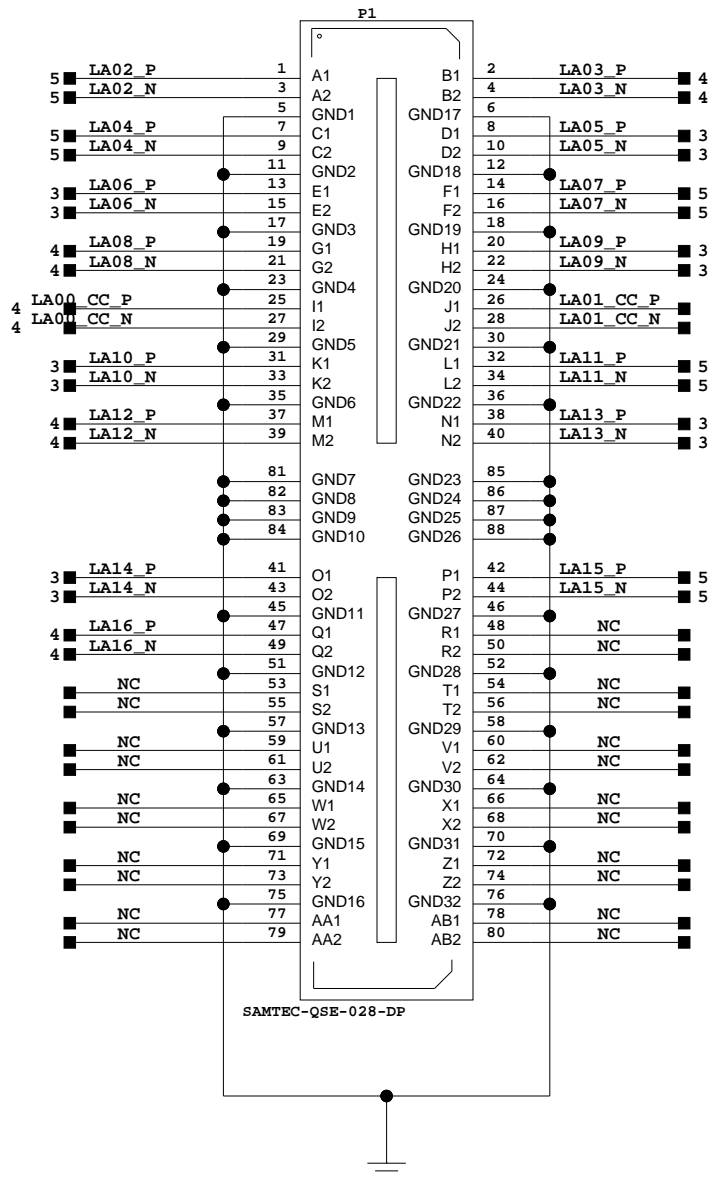
		SCH P/N 0381334
		PCB P/N 1280503
		ASSYP/N 0431565
Title: SCHEM, ROHS COMPLIANT, HW-FMC-XM101-G FMC (GND)		
Date: 12-9-2009_11:26		Ver: B
Sheet Size: B		Rev: 01
Sheet 6 of 9		Drawn By EM

QSE0

QSE1

QSE2

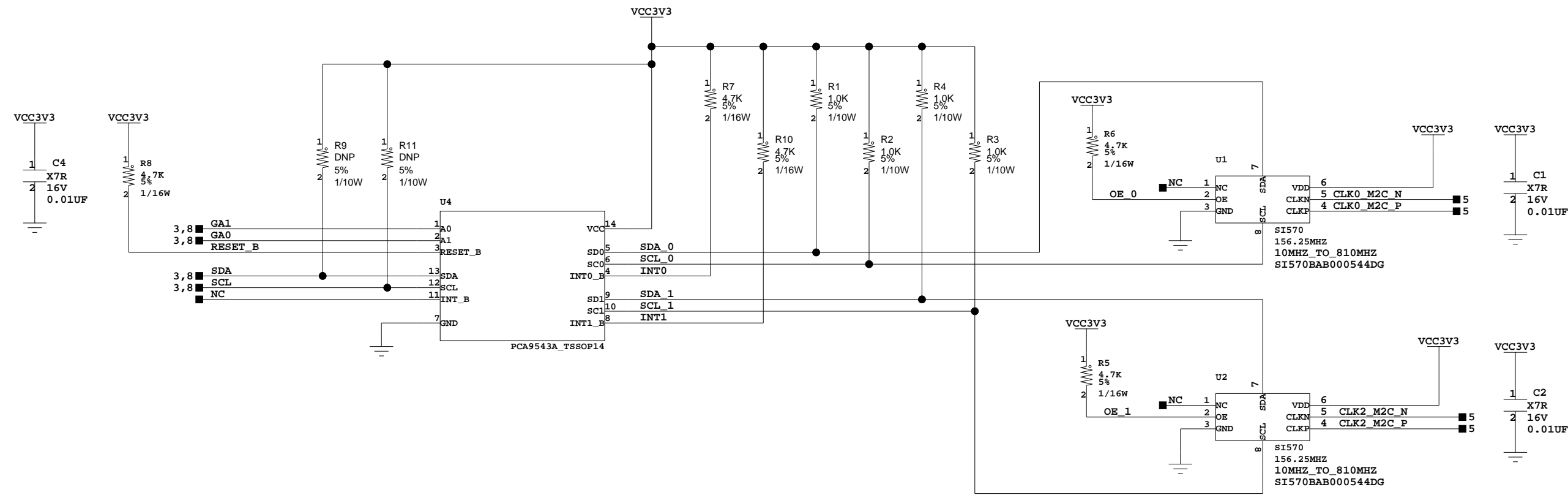
QSE3



XILINX SCH P/N 0381334
 PCB P/N 1280503
 ASSYP/N 0431565

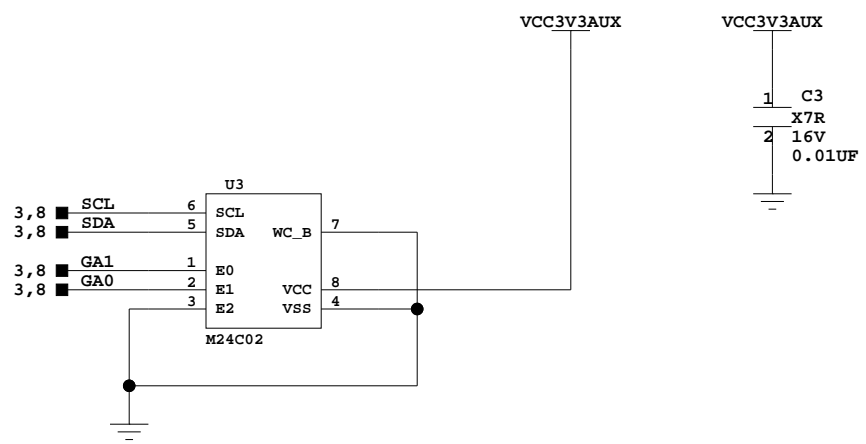
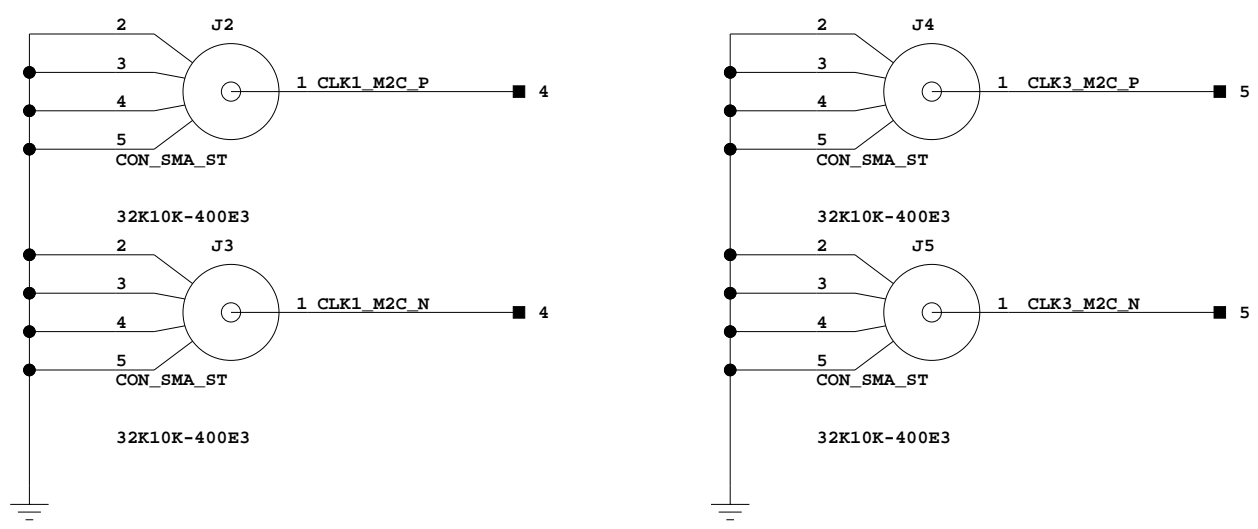
Title: SCHEM, ROHS COMPLIANT, HW-FMC-XM101-G
LVDS QSE CONNECTORS

Date: 12-9-2009_11:26 Ver: B
 Sheet Size: B Rev: 01
 Sheet 7 of 9 Drawn By EM

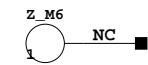
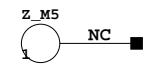
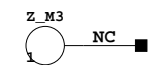
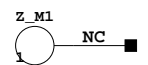
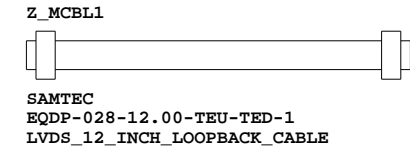
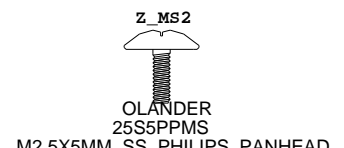
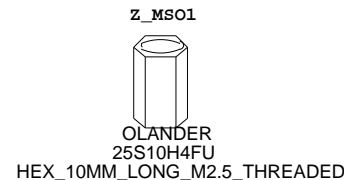


I2C Address Table


M24C02	-	1010_0_GA0_GA1_RW
PCA9543A	-	1110_0_GA0_GA1_RW
SI570 U1	-	1011_1_0_1_RW
SI570 U2	-	1011_1_0_1_RW



		SCH P/N	0381334
		PCB P/N	1280503
		ASSYP/N	0431565
Title: SCHEM, ROHS COMPLIANT, HW-FMC-XM101-G FMC I2C AND CLOCKING			
Date:		12-9-2009_11:26	Ver: B
Sheet Size:		B	Rev: 01
Sheet		8 of 9	Drawn By EM



FIDUCIALS

		SCH P/N 0381334
		PCB P/N 1280503
		ASSYP/N 0431565
Title: SCHEM, ROHS COMPLIANT, HW-FMC-XM101-G MECHANICALS		
Date: 12-9-2009_11:26	Ver: B	
Sheet Size: B	Rev: 01	
Sheet 9 of 9	Drawn By EM	