

## Summary

The Xilinx® Kintex® UltraScale+™ FPGAs are available in -3, -2, -1 speed grades, with -3E devices having the highest performance. The -2LE and -1LI devices can operate at a  $V_{CCINT}$  voltage at 0.85V or 0.72V and provide lower maximum static power. When operated at  $V_{CCINT} = 0.85V$ , using -2LE and -1LI devices, the speed specification for the L devices is the same as the -2I or -1I speed grades. When operated at  $V_{CCINT} = 0.72V$ , the -2LE and -1LI performance and static and dynamic power is reduced.

DC and AC characteristics are specified in extended (E) and industrial (I) temperature ranges. Except the operating temperature range or unless otherwise noted, all the DC and AC electrical parameters are the same for a particular speed grade (that is, the timing characteristics of a -1 speed grade extended device are the same as for a -1 speed grade industrial device). However, only selected speed grades and/or devices are available in each temperature range.

All supply voltage and junction temperature specifications are representative of worst-case conditions. The parameters included are common to popular designs and typical applications.

This data sheet, part of an overall set of documentation on the Kintex UltraScale+ FPGAs, is available on the Xilinx website at [www.xilinx.com/documentation](http://www.xilinx.com/documentation).

## DC Characteristics

### Absolute Maximum Ratings

Table 1: Absolute Maximum Ratings<sup>(1)</sup>

Symbol	Description	Min	Max	Units
<b>FPGA Logic</b>				
$V_{CCINT}$	Internal supply voltage.	-0.500	1.000	V
$V_{CCINT\_IO}$ <sup>(2)</sup>	Internal supply voltage for the I/O banks.	-0.500	1.000	V
$V_{CCAUX}$	Auxiliary supply voltage.	-0.500	2.000	V
$V_{CCBRAM}$	Supply voltage for the block RAM memories.	-0.500	1.000	V
$V_{CCO}$	Output drivers supply voltage for HD I/O banks.	-0.500	3.400	V
	Output drivers supply voltage for HP I/O banks.	-0.500	2.000	V
$V_{CCAUX\_IO}$ <sup>(3)</sup>	Auxiliary supply voltage for the I/O banks.	-0.500	2.000	V
$V_{REF}$	Input reference voltage.	-0.500	2.000	V
$V_{IN}$ <sup>(4)(6)(7)</sup>	I/O input voltage for HD I/O banks. <sup>(5)</sup>	-0.550	$V_{CCO} + 0.550$	V
	I/O input voltage for HP I/O banks.	-0.550	$V_{CCO} + 0.550$	V

Table 1: Absolute Maximum Ratings<sup>(1)</sup> (Cont'd)

Symbol	Description	Min	Max	Units
V <sub>BATT</sub>	Key memory battery backup supply.	-0.500	2.000	V
I <sub>DC</sub>	Available output current at the pad.	-20	20	mA
I <sub>RMS</sub>	Available RMS output current at the pad.	-20	20	mA
<b>GTH or GTY Transceiver</b>				
V <sub>MGTAVCC</sub>	Analog supply voltage for transceiver circuits.	-0.500	1.000	V
V <sub>MGTAVTT</sub>	Analog supply voltage for transceiver termination circuits.	-0.500	1.300	V
V <sub>MGTVCCAUX</sub>	Auxiliary analog Quad PLL (QPLL) voltage supply for transceivers.	-0.500	1.900	V
V <sub>MGTREFCLK</sub>	Transceiver reference clock absolute input voltage.	-0.500	1.300	V
V <sub>MGTAVTTRCAL</sub>	Analog supply voltage for the resistor calibration circuit of the transceiver column.	-0.500	1.300	V
V <sub>IN</sub>	Receiver (RXP/RXN) and transmitter (TXP/TXN) absolute input voltage.	-0.500	1.200	V
I <sub>DCIN-FLOAT</sub>	DC input current for receiver input pins DC coupled RX termination = floating. <sup>(8)</sup>	-	10	mA
I <sub>DCIN-MGTAVTT</sub>	DC input current for receiver input pins DC coupled RX termination = V <sub>MGTAVTT</sub> .	-	10	mA
I <sub>DCIN-GND</sub>	DC input current for receiver input pins DC coupled RX termination = GND. <sup>(9)</sup>	-	0	mA
I <sub>DCIN-PROG</sub>	DC input current for receiver input pins DC coupled RX termination = programmable. <sup>(10)</sup>	-	0	mA
I <sub>DCOUT-FLOAT</sub>	DC output current for transmitter pins DC coupled RX termination = floating.	-	6	mA
I <sub>DCOUT-MGTAVTT</sub>	DC output current for transmitter pins DC coupled RX termination = V <sub>MGTAVTT</sub> .	-	6	mA
<b>System Monitor</b>				
V <sub>CCADC</sub>	System Monitor supply relative to GNDADC.	0.500	2.000	V
V <sub>REFP</sub>	System Monitor reference input relative to GNDADC.	0.500	2.000	V

**Table 1: Absolute Maximum Ratings<sup>(1)</sup> (Cont'd)**

Symbol	Description	Min	Max	Units
<b>Temperature</b>				
T <sub>STG</sub>	Storage temperature (ambient).	-65	150	°C
T <sub>SOL</sub>	Maximum soldering temperature. <sup>(12)</sup>	-	260	°C
T <sub>J</sub>	Maximum junction temperature. <sup>(12)</sup>	-	125	°C

**Notes:**

- Stresses beyond those listed under Absolute Maximum Ratings might cause permanent damage to the device. These are stress ratings only, and functional operation of the device at these or any other conditions beyond those listed under Operating Conditions is not implied. Exposure to Absolute Maximum Ratings conditions for extended periods of time might affect device reliability.
- V<sub>CCINT\_IO</sub> must be connected to V<sub>CCBRAM</sub>.
- V<sub>CCAUX\_IO</sub> must be connected to V<sub>CCAUX</sub>.
- The lower absolute voltage specification always applies.
- If V<sub>CCO</sub> is 3.3V, the maximum voltage is 3.4V.
- For I/O operation, see the *UltraScale Architecture SelectIO Resources User Guide* ([UG571](#)).
- When operating outside of the recommended operating conditions, refer to [Table 4](#) and [Table 5](#) for maximum overshoot and undershoot specifications.
- AC coupled operation is not supported for RX termination = floating.
- For GTY transceivers, DC coupled operation is not supported for RX termination = GND.
- DC coupled operation is not supported for RX termination = programmable.
- For more information on supported GTH or GTY transceiver terminations see the *UltraScale Architecture GTH Transceiver User Guide* ([UG576](#)) or *UltraScale Architecture GTY Transceiver User Guide* ([UG578](#)).
- For soldering guidelines and thermal considerations, see the *UltraScale and UltraScale+ FPGAs Packaging and Pinout Specifications* ([UG575](#)).

## Recommended Operating Conditions

**Table 2: Recommended Operating Conditions<sup>(1)(2)</sup>**

Symbol	Description	Min	Typ	Max	Units
<b>FPGA Logic</b>					
V <sub>CCINT</sub>	Internal supply voltage.	0.825	0.850	0.876	V
	For -1LI and -2LE devices (V <sub>CCINT</sub> = 0.72V): internal supply voltage.	0.698	0.720	0.742	V
	For -3E devices: internal supply voltage.	0.873	0.900	0.927	V
V <sub>CCINT_IO</sub> <sup>(3)</sup>	Internal supply voltage for the I/O banks.	0.825	0.850	0.876	V
	For -1LI and -2LE devices (V <sub>CCINT</sub> = 0.72V): internal supply voltage for the I/O banks.	0.825	0.850	0.876	V
	For -3E devices: internal supply voltage for the I/O banks.	0.873	0.900	0.927	V
V <sub>CCBRAM</sub>	Block RAM supply voltage.	0.825	0.850	0.876	V
	For -3E devices: block RAM supply voltage.	0.873	0.900	0.927	V
V <sub>CCAUX</sub>	Auxiliary supply voltage.	1.746	1.800	1.854	V
V <sub>CCO</sub> <sup>(4)(5)</sup>	Supply voltage for HD I/O banks.	1.140	-	3.400	V
	Supply voltage for HP I/O banks.	0.950	-	1.900	V
V <sub>CCAUX_IO</sub> <sup>(6)</sup>	Auxiliary I/O supply voltage.	1.746	1.800	1.854	V
V <sub>IN</sub> <sup>(7)</sup>	I/O input voltage.	-0.200	-	V <sub>CCO</sub> + 0.200	V
I <sub>IN</sub> <sup>(8)</sup>	Maximum current through any pin in a powered or unpowered bank when forward biasing the clamp diode.	-	-	10	mA
V <sub>BATT</sub> <sup>(9)</sup>	Battery voltage	1.000	-	1.890	V

**Table 2: Recommended Operating Conditions<sup>(1)(2)</sup> (Cont'd)**

Symbol	Description	Min	Typ	Max	Units
<b>GTH or GTY Transceiver</b>					
$V_{MGTAVCC}^{(10)}$	Analog supply voltage for the GTH or GTY transceiver.	0.873	0.900	0.927	V
$V_{MGTAVTT}^{(10)}$	Analog supply voltage for the GTH or GTY transmitter and receiver termination circuits.	1.164	1.200	1.236	V
$V_{MGTVCCAUX}^{(10)}$	Auxiliary analog QPLL voltage supply for the transceivers.	1.746	1.800	1.854	V
$V_{MGTAVTTRCAL}^{(10)}$	Analog supply voltage for the resistor calibration circuit of the GTH or GTY transceiver column.	1.164	1.200	1.236	V
<b>SYSMON</b>					
$V_{CCADC}$	SYSMON supply relative to GNDADC.	1.746	1.800	1.854	V
$V_{REFF}$	SYSMON externally supplied reference voltage relative to GNDADC.	1.200	1.250	1.300	V
<b>Temperature</b>					
$T_j^{(12)}$	Junction temperature operating range for extended (E) temperature devices. <sup>(11)</sup>	0	–	100	°C
	Junction temperature operating range for industrial (I) temperature devices.	–40	–	100	°C
	Junction temperature operating range for eFUSE programming. <sup>(13)</sup>	–40	–	125	°C

**Notes:**

- All voltages are relative to GND.
- For the design of the power distribution system consult *UltraScale Architecture PCB Design Guide* ([UG583](#)).
- $V_{CCINT\_IO}$  must be connected to  $V_{CCBRAM}$ .
- For  $V_{CCO\_0}$ , the minimum recommended operating voltage for power on and during configuration is 1.425V. After configuration, data is retained even if  $V_{CCO}$  drops to 0V.
- Includes  $V_{CCO}$  of 1.0V (HP I/O only), 1.2V, 1.35V, 1.5V, 1.8V, 2.5V (HD I/O only) at  $\pm 5\%$ , and 3.3V (HD I/O only) at  $+3/-5\%$ .
- $V_{CCAUX\_IO}$  must be connected to  $V_{CCAUX}$ .
- The lower absolute voltage specification always applies.
- A total of 200 mA per bank should not be exceeded.
- If battery is not used, connect  $V_{BATT}$  to either GND or  $V_{CCAUX}$ .
- Each voltage listed requires filtering as described in *UltraScale Architecture GTH Transceiver User Guide* ([UG576](#)) or *UltraScale Architecture GTY Transceiver User Guide* ([UG578](#)).
- Devices labeled with the speed/temperature grade of -2LE can operate for a limited time at a junction temperature between 100°C and 110°C. Timing parameters adhere to the same speed file at 110°C as they do below 110°C, regardless of operating voltage (nominal voltage of 0.85V or a low-voltage of 0.72V). Operation up to  $T_j = 110^\circ\text{C}$  is limited to 1% of the device lifetime and can occur sequentially or at regular intervals as long as the total time does not exceed 1% of the device lifetime.
- Xilinx recommends measuring the  $T_j$  of a device using the system monitor as described in the *UltraScale Architecture System Monitor User Guide* ([UG580](#)). The SYSMON temperature measurement errors (that are described in [Table 76](#)) must be accounted for in your design. For example, by using an external reference of 1.25V, when SYSMON reports 97°C, there is a measurement error  $\pm 3^\circ\text{C}$ . A reading of 97°C is considered the maximum adjusted  $T_j$  ( $100^\circ\text{C} - 3^\circ\text{C} = 97^\circ\text{C}$ ).
- Do not program eFUSE during device configuration (e.g., during configuration, during configuration readback, or when readback CRC is active).

## DC Characteristics Over Recommended Operating Conditions

Table 3: DC Characteristics Over Recommended Operating Conditions

Symbol	Description	Min	Typ <sup>(1)</sup>	Max	Units
V <sub>DRINT</sub>	Data retention V <sub>CCINT</sub> voltage (below which configuration data might be lost).	0.68	–	–	V
V <sub>DRAUX</sub>	Data retention V <sub>CCAUX</sub> voltage (below which configuration data might be lost).	1.5	–	–	V
I <sub>REF</sub>	V <sub>REF</sub> leakage current per pin.	–	–	15	μA
I <sub>L</sub>	Input or output leakage current per pin (sample-tested). <sup>(2)</sup>	–	–	15	μA
C <sub>IN</sub> <sup>(3)</sup>	Die input capacitance at the pad (HP I/O).	–	–	3.1	pF
	Die input capacitance at the pad (HD I/O).	–	–	4.75	pF
I <sub>RPU</sub>	Pad pull-up (when selected) at V <sub>IN</sub> = 0V, V <sub>CCO</sub> = 3.3V.	75	–	190	μA
	Pad pull-up (when selected) at V <sub>IN</sub> = 0V, V <sub>CCO</sub> = 2.5V.	50	–	169	μA
	Pad pull-up (when selected) at V <sub>IN</sub> = 0V, V <sub>CCO</sub> = 1.8V.	60	–	120	μA
	Pad pull-up (when selected) at V <sub>IN</sub> = 0V, V <sub>CCO</sub> = 1.5V.	30	–	120	μA
	Pad pull-up (when selected) at V <sub>IN</sub> = 0V, V <sub>CCO</sub> = 1.2V.	10	–	100	μA
I <sub>RPD</sub>	Pad pull-down (when selected) at V <sub>IN</sub> = 3.3V.	60	–	200	μA
	Pad pull-down (when selected) at V <sub>IN</sub> = 1.8V.	29	–	120	μA
I <sub>CCADCON</sub>	Analog supply current for the SYSMON circuits in the power-up state.	–	–	8	mA
I <sub>CCADCOFF</sub>	Analog supply current for the SYSMON circuits in the power-down state.	–	–	1.5	mA
I <sub>BATT</sub> <sup>(4)(5)</sup>	Battery supply current at V <sub>BATT</sub> = 1.89V.	–	–	650	nA
	Battery supply current at V <sub>BATT</sub> = 1.20V.	–	–	150	nA
I <sub>PFS</sub> <sup>(6)</sup>	V <sub>CCAUX</sub> additional supply current during eFUSE programming.	–	–	115	mA
<i>Calibrated programmable on-die termination (DCI) in HP I/O banks<sup>(7)</sup> (measured per JEDEC specification).</i>					
R <sup>(9)</sup>	Thevenin equivalent resistance of programmable input termination to V <sub>CCO</sub> /2 where ODT = RTT <sub>40</sub> .	–10% <sup>(8)</sup>	40	+10% <sup>(8)</sup>	Ω
	Thevenin equivalent resistance of programmable input termination to V <sub>CCO</sub> /2 where ODT = RTT <sub>48</sub> .	–10% <sup>(8)</sup>	48	+10% <sup>(8)</sup>	Ω
	Thevenin equivalent resistance of programmable input termination to V <sub>CCO</sub> /2 where ODT = RTT <sub>60</sub> .	–10% <sup>(8)</sup>	60	+10% <sup>(8)</sup>	Ω
	Programmable input termination to V <sub>CCO</sub> where ODT = RTT <sub>40</sub> .	–10% <sup>(8)</sup>	40	+10% <sup>(8)</sup>	Ω
	Programmable input termination to V <sub>CCO</sub> where ODT = RTT <sub>48</sub> .	–10% <sup>(8)</sup>	48	+10% <sup>(8)</sup>	Ω
	Programmable input termination to V <sub>CCO</sub> where ODT = RTT <sub>60</sub> .	–10% <sup>(8)</sup>	60	+10% <sup>(8)</sup>	Ω
	Programmable input termination to V <sub>CCO</sub> where ODT = RTT <sub>120</sub> .	–10% <sup>(8)</sup>	120	+10% <sup>(8)</sup>	Ω
	Programmable input termination to V <sub>CCO</sub> where ODT = RTT <sub>240</sub> .	–10% <sup>(8)</sup>	240	+10% <sup>(8)</sup>	Ω

**Table 3: DC Characteristics Over Recommended Operating Conditions (Cont'd)**

Symbol	Description	Min	Typ <sup>(1)</sup>	Max	Units
<i>Uncalibrated programmable on-die termination in HP I/O banks (measured per JEDEC specification).</i>					
R <sup>(9)</sup>	Thevenin equivalent resistance of programmable input termination to V <sub>CCO</sub> /2 where ODT = RTT_40.	-50%	40	+50%	Ω
	Thevenin equivalent resistance of programmable input termination to V <sub>CCO</sub> /2 where ODT = RTT_48.	-50%	48	+50%	Ω
	Thevenin equivalent resistance of programmable input termination to V <sub>CCO</sub> /2 where ODT = RTT_60.	-50%	60	+50%	Ω
	Programmable input termination to V <sub>CCO</sub> where ODT = RTT_40.	-50%	40	+50%	Ω
	Programmable input termination to V <sub>CCO</sub> where ODT = RTT_48.	-50%	48	+50%	Ω
	Programmable input termination to V <sub>CCO</sub> where ODT = RTT_60.	-50%	60	+50%	Ω
	Programmable input termination to V <sub>CCO</sub> where ODT = RTT_120.	-50%	120	+50%	Ω
	Programmable input termination to V <sub>CCO</sub> where ODT = RTT_240.	-50%	240	+50%	Ω
<i>Uncalibrated programmable on-die termination in HD I/O banks (measured per JEDEC specification).</i>					
R <sup>(9)</sup>	Thevenin equivalent resistance of programmable input termination to V <sub>CCO</sub> /2 where ODT = RTT_48.	-50%	48	+50%	Ω
Internal V <sub>REF</sub>	50% V <sub>CCO</sub>	V <sub>CCO</sub> × 0.49	V <sub>CCO</sub> × 0.50	V <sub>CCO</sub> × 0.51	V
	70% V <sub>CCO</sub>	V <sub>CCO</sub> × 0.69	V <sub>CCO</sub> × 0.70	V <sub>CCO</sub> × 0.71	V
Differential termination	Programmable differential termination (TERM_100) for HP I/O banks.	-35%	100	+35%	Ω
n	Temperature diode ideality factor.	-	1.026	-	-
r	Temperature diode series resistance.	-	2	-	Ω

**Notes:**

1. Typical values are specified at nominal voltage, 25°C.
2. For HP I/O banks with a V<sub>CCO</sub> of 1.8V and separated V<sub>CCO</sub> and V<sub>CCAUX\_IO</sub> power supplies, the I<sub>L</sub> maximum current is 70 μA.
3. This measurement represents the die capacitance at the pad, not including the package.
4. Maximum value specified for worst case process at 25°C.
5. I<sub>BATT</sub> is measured when the battery-backed RAM (BBRAM) is enabled.
6. Do not program eFUSE during device configuration (e.g., during configuration, during configuration readback, or when readback CRC is active).
7. If VRP resides at a different bank (DCI cascade), the range increases to ±15%.
8. VRP resistor tolerance is (240Ω ±1%)
9. On-die input termination resistance, for more information see the *UltraScale Architecture SelectIO Resources User Guide (UG571)*.

## $V_{IN}$ Maximum Allowed AC Voltage Overshoot and Undershoot

Table 4:  $V_{IN}$  Maximum Allowed AC Voltage Overshoot and Undershoot for HD I/O Banks<sup>(1)</sup>

AC Voltage Overshoot	% of UI at $-40^{\circ}\text{C}$ to $100^{\circ}\text{C}$	AC Voltage Undershoot	% of UI at $-40^{\circ}\text{C}$ to $100^{\circ}\text{C}$
$V_{CCO} + 0.30$	100%	-0.30	100%
$V_{CCO} + 0.35$	100%	-0.35	90%
$V_{CCO} + 0.40$	100%	-0.40	78%
$V_{CCO} + 0.45$	100%	-0.45	40%
$V_{CCO} + 0.50$	100%	-0.50	24%
$V_{CCO} + 0.55$	100%	-0.55	18.0%
$V_{CCO} + 0.60$	100%	-0.60	13.0%
$V_{CCO} + 0.65$	100%	-0.65	10.8%
$V_{CCO} + 0.70$	92%	-0.70	9.0%
$V_{CCO} + 0.75$	92%	-0.75	7.0%
$V_{CCO} + 0.80$	92%	-0.80	6.0%
$V_{CCO} + 0.85$	92%	-0.85	5.0%
$V_{CCO} + 0.90$	92%	-0.90	4.0%
$V_{CCO} + 0.95$	92%	-0.95	2.5%

**Notes:**

1. A total of 200 mA per bank should not be exceeded.

Table 5:  $V_{IN}$  Maximum Allowed AC Voltage Overshoot and Undershoot for HP I/O Banks<sup>(1)(2)</sup>

AC Voltage Overshoot	% of UI at $-40^{\circ}\text{C}$ to $100^{\circ}\text{C}$	AC Voltage Undershoot	% of UI at $-40^{\circ}\text{C}$ to $100^{\circ}\text{C}$
$V_{CCO} + 0.30$	100%	-0.30	100%
$V_{CCO} + 0.35$	100%	-0.35	90%
$V_{CCO} + 0.40$	92%	-0.40	92%
$V_{CCO} + 0.45$	50%	-0.45	50%
$V_{CCO} + 0.50$	20%	-0.50	20%
$V_{CCO} + 0.55$	10%	-0.55	10%
$V_{CCO} + 0.60$	6%	-0.60	6%
$V_{CCO} + 0.65$	2%	-0.65	2%
$V_{CCO} + 0.70$	2%	-0.70	2%

**Notes:**

1. A total of 200 mA per bank should not be exceeded.
2. For UI smaller than 20  $\mu\text{s}$ .

## Quiescent Supply Current

 Table 6: Typical Quiescent Supply Current<sup>(1)(2)(3)</sup>

Symbol	Description	Device	Speed Grade and V <sub>CCINT</sub> Operating Voltages					Units
			0.90V	0.85V		0.72V		
			-3	-2	-1	-2	-1	
I <sub>CCINTQ</sub>	Quiescent V <sub>CCINT</sub> supply current.	XCKU3P	1242	1181	1181	1037	1037	mA
		XCKU5P	1242	1181	1181	1037	1037	mA
		XCKU9P	1592	1523	1523	1356	1356	mA
		XCKU11P	1780	1693	1693	1486	1486	mA
		XCKU13P	1950	1864	1864	1658	1658	mA
		XCKU15P	2677	2559	2559	2275	2275	mA
I <sub>CCINT_IOQ</sub>	Quiescent V <sub>CCINT_IO</sub> supply current.	XCKU3P	61	59	59	59	59	mA
		XCKU5P	61	59	59	59	59	mA
		XCKU9P	61	59	59	59	59	mA
		XCKU11P	120	115	115	115	115	mA
		XCKU13P	61	59	59	59	59	mA
		XCKU15P	164	158	158	158	158	mA
I <sub>CCOQ</sub>	Quiescent V <sub>CCO</sub> supply current.	All devices	1	1	1	1	1	mA
I <sub>CCAUXQ</sub>	Quiescent V <sub>CCAUX</sub> supply current.	XCKU3P	153	153	153	153	153	mA
		XCKU5P	153	153	153	153	153	mA
		XCKU9P	227	227	227	227	227	mA
		XCKU11P	255	255	255	255	255	mA
		XCKU13P	266	266	266	266	266	mA
		XCKU15P	396	396	396	396	396	mA
I <sub>CCAUX_IOQ</sub>	Quiescent V <sub>CCAUX_IO</sub> supply current.	XCKU3P	32	32	32	32	32	mA
		XCKU5P	32	32	32	32	32	mA
		XCKU9P	33	33	33	33	33	mA
		XCKU11P	56	56	56	56	56	mA
		XCKU13P	33	33	33	33	33	mA
		XCKU15P	74	74	74	74	74	mA
I <sub>CCBRAMQ</sub>	Quiescent V <sub>CCBRAM</sub> supply current.	XCKU3P	18	17	17	17	17	mA
		XCKU5P	18	17	17	17	17	mA
		XCKU9P	25	24	24	24	24	mA
		XCKU11P	23	22	22	22	22	mA
		XCKU13P	29	28	28	28	28	mA
		XCKU15P	37	35	35	35	35	mA

### Notes:

1. Typical values are specified at nominal voltage, 85°C junction temperatures (T<sub>j</sub>) with single-ended SelectIO™ resources.
2. Typical values are for blank configured devices with no output current loads, no active input pull-up resistors, all I/O pins are 3-state and floating.
3. Use the Xilinx Power Estimator (XPE) spreadsheet tool (download at [www.xilinx.com/power](http://www.xilinx.com/power)) to estimate static power consumption for conditions other than those specified.



## Power-On/Off Power Supply Sequencing

The recommended power-on sequence is  $V_{CCINT}$ ,  $V_{CCINT\_IO}/V_{CCBRAM}$ ,  $V_{CCAUX}/V_{CCAUX\_IO}$ , and  $V_{CCO}$  to achieve minimum current draw and ensure that the I/Os are 3-stated at power-on. The recommended power-off sequence is the reverse of the power-on sequence. If  $V_{CCINT}$  and  $V_{CCINT\_IO}/V_{CCBRAM}$  have the same recommended voltage levels, they can be powered by the same supply and ramped simultaneously.  $V_{CCINT\_IO}$  must be connected to  $V_{CCBRAM}$ . If  $V_{CCAUX}/V_{CCAUX\_IO}$  and  $V_{CCO}$  have the same recommended voltage levels, they can be powered by the same supply and ramped simultaneously.  $V_{CCAUX}$  and  $V_{CCAUX\_IO}$  must be connected together.  $V_{CCADC}$  and  $V_{REF}$  can be powered at any time and have no power-up sequencing requirements.

The recommended power-on sequence to achieve minimum current draw for the GTH or GTY transceivers is  $V_{CCINT}$ ,  $V_{MGTAVCC}$ ,  $V_{MGTAVTT}$  OR  $V_{MGTAVCC}$ ,  $V_{CCINT}$ ,  $V_{MGTAVTT}$ . There is no recommended sequencing for  $V_{MGTVCCAUX}$ . Both  $V_{MGTAVCC}$  and  $V_{CCINT}$  can be ramped simultaneously. The recommended power-off sequence is the reverse of the power-on sequence to achieve minimum current draw.

If these recommended sequences are not met, current drawn from  $V_{MGTAVTT}$  can be higher than specifications during power-up and power-down.

## Power Supply Requirements

Table 7 shows the minimum current, in addition to  $I_{CCQ}$  maximum, required by each Kintex UltraScale+ FPGA for proper power-on and configuration. If the current minimums shown in Table 7 are met, the device powers on after all supplies have passed through their power-on reset threshold voltages. The device must not be configured until after  $V_{CCINT}$  is applied. Once initialized and configured, use the Xilinx Power Estimator (XPE) tools to estimate current drain on these supplies.

Table 7: Power-on Current by Device<sup>(1)</sup>

Device	$I_{CCINTMIN}$	$I_{CCINT_IOMIN} + I_{CCBRAMMIN}$	$I_{CCOMIN}$	$I_{CCAUXMIN} + I_{CCAUX_IOMIN}$	Units
XCKU3P	$I_{CCINTQ} + 770$	$I_{CCBRAMQ} + I_{CCINT_IOQ} + 229$	$I_{CCOQ} + 50$	$I_{CCAUXQ} + I_{CCAUX_IOQ} + 386$	mA
XCKU5P	$I_{CCINTQ} + 770$	$I_{CCBRAMQ} + I_{CCINT_IOQ} + 305$	$I_{CCOQ} + 50$	$I_{CCAUXQ} + I_{CCAUX_IOQ} + 515$	mA
XCKU9P	$I_{CCINTQ} + 1800$	$I_{CCBRAMQ} + I_{CCINT_IOQ} + 600$	$I_{CCOQ} + 50$	$I_{CCAUXQ} + I_{CCAUX_IOQ} + 650$	mA
XCKU11P	$I_{CCINTQ} + 1961$	$I_{CCBRAMQ} + I_{CCINT_IOQ} + 654$	$I_{CCOQ} + 55$	$I_{CCAUXQ} + I_{CCAUX_IOQ} + 709$	mA
XCKU13P	$I_{CCINTQ} + 2242$	$I_{CCBRAMQ} + I_{CCINT_IOQ} + 748$	$I_{CCOQ} + 63$	$I_{CCAUXQ} + I_{CCAUX_IOQ} + 810$	mA
XCKU15P	$I_{CCINTQ} + 3433$	$I_{CCBRAMQ} + I_{CCINT_IOQ} + 1145$	$I_{CCOQ} + 96$	$I_{CCAUXQ} + I_{CCAUX_IOQ} + 1240$	mA

### Notes:

1. Use the Xilinx Power Estimator (XPE) spreadsheet tool (download at [www.xilinx.com/power](http://www.xilinx.com/power)) to estimate power-on current for all supplies.

Table 8 shows the power supply ramp time.

Table 8: Power Supply Ramp Time

Symbol	Description	Min	Max	Units
$T_{VCCINT}$	Ramp time from GND to 95% of $V_{CCINT}$ .	0.2	40	ms
$T_{VCCINT_IO}$	Ramp time from GND to 95% of $V_{CCINT_IO}$ .	0.2	40	ms
$T_{VCCO}$	Ramp time from GND to 95% of $V_{CCO}$ .	0.2	40	ms
$T_{VCCAUX}$	Ramp time from GND to 95% of $V_{CCAUX}$ .	0.2	40	ms
$T_{VCCBRAM}$	Ramp time from GND to 95% of $V_{CCBRAM}$ .	0.2	40	ms
$T_{MGTAVCC}$	Ramp time from GND to 95% of $V_{MGTAVCC}$ .	0.2	40	ms
$T_{MGTAVTT}$	Ramp time from GND to 95% of $V_{MGTAVTT}$ .	0.2	40	ms
$T_{MGTVCCAUX}$	Ramp time from GND to 95% of $V_{MGTVCCAUX}$ .	0.2	40	ms

## DC Input and Output Levels

Values for  $V_{IL}$  and  $V_{IH}$  are recommended input voltages. Values for  $I_{OL}$  and  $I_{OH}$  are guaranteed over the recommended operating conditions at the  $V_{OL}$  and  $V_{OH}$  test points. Only selected standards are tested. These are chosen to ensure that all standards meet their specifications. The selected standards are tested at a minimum  $V_{CCO}$  with the respective  $V_{OL}$  and  $V_{OH}$  voltage levels shown. Other standards are sample tested.

Table 9: SelectIO DC Input and Output Levels For HD I/O Banks<sup>(1)(2)</sup>

I/O Standard	$V_{IL}$		$V_{IH}$		$V_{OL}$	$V_{OH}$	$I_{OL}$	$I_{OH}$
	V, Min	V, Max	V, Min	V, Max	V, Max	V, Min	mA	mA
HSTL_I	-0.300	$V_{REF} - 0.100$	$V_{REF} + 0.100$	$V_{CCO} + 0.300$	0.400	$V_{CCO} - 0.400$	8.0	-8.0
HSTL_I_18	-0.300	$V_{REF} - 0.100$	$V_{REF} + 0.100$	$V_{CCO} + 0.300$	0.400	$V_{CCO} - 0.400$	8.0	-8.0
HSUL_12	-0.300	$V_{REF} - 0.130$	$V_{REF} + 0.130$	$V_{CCO} + 0.300$	20% $V_{CCO}$	80% $V_{CCO}$	0.1	-0.1
LVC MOS12	-0.300	35% $V_{CCO}$	65% $V_{CCO}$	$V_{CCO} + 0.300$	0.400	$V_{CCO} - 0.400$	Note 3	Note 3
LVC MOS15	-0.300	35% $V_{CCO}$	65% $V_{CCO}$	$V_{CCO} + 0.300$	0.450	$V_{CCO} - 0.450$	Note 4	Note 4
LVC MOS18	-0.300	35% $V_{CCO}$	65% $V_{CCO}$	$V_{CCO} + 0.300$	0.450	$V_{CCO} - 0.450$	Note 4	Note 4
LVC MOS25	-0.300	0.700	1.700	$V_{CCO} + 0.300$	0.400	$V_{CCO} - 0.400$	Note 4	Note 4
LVC MOS33	-0.300	0.800	2.000	3.400	0.400	$V_{CCO} - 0.400$	Note 4	Note 4
LV TTL	-0.300	0.800	2.000	3.400	0.400	2.400	Note 4	Note 4
SSTL12	-0.300	$V_{REF} - 0.100$	$V_{REF} + 0.100$	$V_{CCO} + 0.300$	$V_{CCO}/2 - 0.150$	$V_{CCO}/2 + 0.150$	14.25	-14.25
SSTL135	-0.300	$V_{REF} - 0.090$	$V_{REF} + 0.090$	$V_{CCO} + 0.300$	$V_{CCO}/2 - 0.150$	$V_{CCO}/2 + 0.150$	8.9	-8.9
SSTL135_II	-0.300	$V_{REF} - 0.090$	$V_{REF} + 0.090$	$V_{CCO} + 0.300$	$V_{CCO}/2 - 0.150$	$V_{CCO}/2 + 0.150$	13.0	-13.0
SSTL15	-0.300	$V_{REF} - 0.100$	$V_{REF} + 0.100$	$V_{CCO} + 0.300$	$V_{CCO}/2 - 0.175$	$V_{CCO}/2 + 0.175$	8.9	-8.9
SSTL15_II	-0.300	$V_{REF} - 0.100$	$V_{REF} + 0.100$	$V_{CCO} + 0.300$	$V_{CCO}/2 - 0.175$	$V_{CCO}/2 + 0.175$	13.0	-13.0
SSTL18_I	-0.300	$V_{REF} - 0.125$	$V_{REF} + 0.125$	$V_{CCO} + 0.300$	$V_{CCO}/2 - 0.470$	$V_{CCO}/2 + 0.470$	8.0	-8.0
SSTL18_II	-0.300	$V_{REF} - 0.125$	$V_{REF} + 0.125$	$V_{CCO} + 0.300$	$V_{CCO}/2 - 0.600$	$V_{CCO}/2 + 0.600$	13.4	-13.4

### Notes:

1. Tested according to relevant specifications.
2. Standards specified using the default I/O standard configuration. For details, see the *UltraScale Architecture SelectIO Resources User Guide* ([UG571](#)).
3. Supported drive strengths of 4, 8, or 12 mA in HD I/O banks.
4. Supported drive strengths of 4, 8, 12, or 16 mA in HD I/O banks.

Table 10: SelectIO DC Input and Output Levels for HP I/O Banks<sup>(1)(2)(3)</sup>

I/O Standard	V <sub>IL</sub>		V <sub>IH</sub>		V <sub>OL</sub>	V <sub>OH</sub>	I <sub>OL</sub>	I <sub>OH</sub>
	V, Min	V, Max	V, Min	V, Max	V, Max	V, Min	mA	mA
HSTL_I	-0.300	V <sub>REF</sub> - 0.100	V <sub>REF</sub> + 0.100	V <sub>CCO</sub> + 0.300	0.400	V <sub>CCO</sub> - 0.400	5.8	-5.8
HSTL_I_12	-0.300	V <sub>REF</sub> - 0.080	V <sub>REF</sub> + 0.080	V <sub>CCO</sub> + 0.300	25% V <sub>CCO</sub>	75% V <sub>CCO</sub>	4.1	-4.1
HSTL_I_18	-0.300	V <sub>REF</sub> - 0.100	V <sub>REF</sub> + 0.100	V <sub>CCO</sub> + 0.300	0.400	V <sub>CCO</sub> - 0.400	6.2	-6.2
HSUL_12	-0.300	V <sub>REF</sub> - 0.130	V <sub>REF</sub> + 0.130	V <sub>CCO</sub> + 0.300	20% V <sub>CCO</sub>	80% V <sub>CCO</sub>	0.1	-0.1
LVC MOS12	-0.300	35% V <sub>CCO</sub>	65% V <sub>CCO</sub>	V <sub>CCO</sub> + 0.300	0.400	V <sub>CCO</sub> - 0.400	Note 4	Note 4
LVC MOS15	-0.300	35% V <sub>CCO</sub>	65% V <sub>CCO</sub>	V <sub>CCO</sub> + 0.300	0.450	V <sub>CCO</sub> - 0.450	Note 5	Note 5
LVC MOS18	-0.300	35% V <sub>CCO</sub>	65% V <sub>CCO</sub>	V <sub>CCO</sub> + 0.300	0.450	V <sub>CCO</sub> - 0.450	Note 5	Note 5
LVDCI_15	-0.300	35% V <sub>CCO</sub>	65% V <sub>CCO</sub>	V <sub>CCO</sub> + 0.300	0.450	V <sub>CCO</sub> - 0.450	7.0	-7.0
LVDCI_18	-0.300	35% V <sub>CCO</sub>	65% V <sub>CCO</sub>	V <sub>CCO</sub> + 0.300	0.450	V <sub>CCO</sub> - 0.450	7.0	-7.0
SSTL12	-0.300	V <sub>REF</sub> - 0.100	V <sub>REF</sub> + 0.100	V <sub>CCO</sub> + 0.300	V <sub>CCO</sub> /2 - 0.150	V <sub>CCO</sub> /2 + 0.150	8.0	-8.0
SSTL135	-0.300	V <sub>REF</sub> - 0.090	V <sub>REF</sub> + 0.090	V <sub>CCO</sub> + 0.300	V <sub>CCO</sub> /2 - 0.150	V <sub>CCO</sub> /2 + 0.150	9.0	-9.0
SSTL15	-0.300	V <sub>REF</sub> - 0.100	V <sub>REF</sub> + 0.100	V <sub>CCO</sub> + 0.300	V <sub>CCO</sub> /2 - 0.175	V <sub>CCO</sub> /2 + 0.175	10.0	-10.0
SSTL18_I	-0.300	V <sub>REF</sub> - 0.125	V <sub>REF</sub> + 0.125	V <sub>CCO</sub> + 0.300	V <sub>CCO</sub> /2 - 0.470	V <sub>CCO</sub> /2 + 0.470	7.0	-7.0
MIPI_DPHY_DCI_LP <sup>(6)</sup>	-0.300	0.550	0.880	V <sub>CCO</sub> + 0.300	0.050	1.100	0.01	-0.01

**Notes:**

1. Tested according to relevant specifications.
2. Standards specified using the default I/O standard configuration. For details, see the *UltraScale Architecture SelectIO Resources User Guide* (UG571).
3. POD10 and POD12 DC input and output levels are shown in Table 11, Table 15, Table 16, and Table 17.
4. Supported drive strengths of 2, 4, 6, or 8 mA in HP I/O banks.
5. Supported drive strengths of 2, 4, 6, 8, or 12 mA in HP I/O banks.
6. Low-power option for MIPI\_DPHY\_DCI.

 Table 11: DC Input Levels for Single-ended POD10 and POD12 I/O Standards<sup>(1)(2)</sup>

I/O Standard	V <sub>IL</sub>		V <sub>IH</sub>	
	V, Min	V, Max	V, Min	V, Max
POD10	-0.300	V <sub>REF</sub> - 0.068	V <sub>REF</sub> + 0.068	V <sub>CCO</sub> + 0.300
POD12	-0.300	V <sub>REF</sub> - 0.068	V <sub>REF</sub> + 0.068	V <sub>CCO</sub> + 0.300

**Notes:**

1. Tested according to relevant specifications.
2. Standards specified using the default I/O standard configuration. For details, see the *UltraScale Architecture SelectIO Resources User Guide* (UG571).

Table 12: Differential SelectIO DC Input and Output Levels

I/O Standard	V <sub>ICM</sub> (V) (1)			V <sub>ID</sub> (V) (2)			V <sub>ILHS</sub> (3)	V <sub>IHHS</sub> (3)	V <sub>Ocm</sub> (V) (4)			V <sub>OD</sub> (V) (5)		
	Min	Typ	Max	Min	Typ	Max	Min	Max	Min	Typ	Max	Min	Typ	Max
SUB_LVDS(8)	0.500	0.900	1.300	0.070	–	–	–	–	0.700	0.900	1.100	0.100	0.150	0.200
LVPECL	0.300	1.200	1.425	0.100	0.350	0.600	–	–	–	–	–	–	–	–
SLVS_400_18	0.070	0.200	0.330	0.140	–	0.450	–	–	–	–	–	–	–	–
SLVS_400_25	0.070	0.200	0.330	0.140	–	0.450	–	–	–	–	–	–	–	–
MIPI_DPHY_DCI_HS(9)	0.070	–	0.330	0.070	–	–	–0.040	0.460	0.150	0.200	0.250	0.140	0.200	0.270

**Notes:**

1. V<sub>ICM</sub> is the input common mode voltage.
2. V<sub>ID</sub> is the input differential voltage (Q – Q̄).
3. V<sub>IHHS</sub> and V<sub>ILHS</sub> are the single-ended input high and low voltages, respectively.
4. V<sub>Ocm</sub> is the output common mode voltage.
5. V<sub>OD</sub> is the output differential voltage (Q – Q̄).
6. LVDS\_25 is specified in Table 18.
7. LVDS is specified in Table 19.
8. Only the SUB\_LVDS receiver is supported in HD I/O banks.
9. High-speed option for MIPI\_DPHY\_DCI. The V<sub>ID</sub> maximum is aligned with the standard's specification. A higher V<sub>ID</sub> is acceptable as long as the V<sub>IN</sub> specification is also met.

Table 13: Complementary Differential SelectIO DC Input and Output Levels for HD I/O Banks

I/O Standard	V <sub>ICM</sub> (V) (1)			V <sub>ID</sub> (V) (2)		V <sub>OL</sub> (V) (3)	V <sub>OH</sub> (V) (4)	I <sub>OL</sub>	I <sub>OH</sub>
	Min	Typ	Max	Min	Max	Max	Min	mA	mA
DIFF_HSTL_I	0.300	0.750	1.125	0.100	–	0.400	V <sub>CCO</sub> – 0.400	8.0	–8.0
DIFF_HSTL_I_18	0.300	0.900	1.425	0.100	–	0.400	V <sub>CCO</sub> – 0.400	8.0	–8.0
DIFF_HSUL_12	0.300	0.600	0.850	0.100	–	20% V <sub>CCO</sub>	80% V <sub>CCO</sub>	0.1	–0.1
DIFF_SSTL12	0.300	0.600	0.850	0.100	–	(V <sub>CCO</sub> /2) – 0.150	(V <sub>CCO</sub> /2) + 0.150	14.25	–14.25
DIFF_SSTL135	0.300	0.675	1.000	0.100	–	(V <sub>CCO</sub> /2) – 0.150	(V <sub>CCO</sub> /2) + 0.150	8.9	–8.9
DIFF_SSTL135_II	0.300	0.675	1.000	0.100	–	(V <sub>CCO</sub> /2) – 0.150	(V <sub>CCO</sub> /2) + 0.150	13.0	–13.0
DIFF_SSTL15	0.300	0.750	1.125	0.100	–	(V <sub>CCO</sub> /2) – 0.175	(V <sub>CCO</sub> /2) + 0.175	8.9	–8.9
DIFF_SSTL15_II	0.300	0.750	1.125	0.100	–	(V <sub>CCO</sub> /2) – 0.175	(V <sub>CCO</sub> /2) + 0.175	13.0	–13.0
DIFF_SSTL18_I	0.300	0.900	1.425	0.100	–	(V <sub>CCO</sub> /2) – 0.470	(V <sub>CCO</sub> /2) + 0.470	8.0	–8.0
DIFF_SSTL18_II	0.300	0.900	1.425	0.100	–	(V <sub>CCO</sub> /2) – 0.600	(V <sub>CCO</sub> /2) + 0.600	13.4	–13.4

**Notes:**

1. V<sub>ICM</sub> is the input common mode voltage.
2. V<sub>ID</sub> is the input differential voltage.
3. V<sub>OL</sub> is the single-ended low-output voltage.
4. V<sub>OH</sub> is the single-ended high-output voltage.

**Table 14: Complementary Differential SelectIO DC Input and Output Levels for HP I/O Banks<sup>(1)</sup>**

I/O Standard	V <sub>ICM</sub> (V) <sup>(2)</sup>			V <sub>ID</sub> (V) <sup>(3)</sup>		V <sub>OL</sub> (V) <sup>(4)</sup>	V <sub>OH</sub> (V) <sup>(5)</sup>	I <sub>OL</sub>	I <sub>OH</sub>
	Min	Typ	Max	Min	Max	Max	Min	mA	mA
DIFF_HSTL_I	0.680	V <sub>CCO</sub> /2	(V <sub>CCO</sub> /2) + 0.150	0.100	–	0.400	V <sub>CCO</sub> – 0.400	5.8	–5.8
DIFF_HSTL_I_12	0.400 x V <sub>CCO</sub>	V <sub>CCO</sub> /2	0.600 x V <sub>CCO</sub>	0.100	–	0.250 x V <sub>CCO</sub>	0.750 x V <sub>CCO</sub>	4.1	–4.1
DIFF_HSTL_I_18	(V <sub>CCO</sub> /2) – 0.175	V <sub>CCO</sub> /2	(V <sub>CCO</sub> /2) + 0.175	0.100	–	0.400	V <sub>CCO</sub> – 0.400	6.2	–6.2
DIFF_HSUL_12	(V <sub>CCO</sub> /2) – 0.120	V <sub>CCO</sub> /2	(V <sub>CCO</sub> /2) + 0.120	0.100	–	20% V <sub>CCO</sub>	80% V <sub>CCO</sub>	0.1	–0.1
DIFF_SSTL12	(V <sub>CCO</sub> /2) – 0.150	V <sub>CCO</sub> /2	(V <sub>CCO</sub> /2) + 0.150	0.100	–	(V <sub>CCO</sub> /2) – 0.150	(V <sub>CCO</sub> /2) + 0.150	8.0	–8.0
DIFF_SSTL135	(V <sub>CCO</sub> /2) – 0.150	V <sub>CCO</sub> /2	(V <sub>CCO</sub> /2) + 0.150	0.100	–	(V <sub>CCO</sub> /2) – 0.150	(V <sub>CCO</sub> /2) + 0.150	9.0	–9.0
DIFF_SSTL15	(V <sub>CCO</sub> /2) – 0.175	V <sub>CCO</sub> /2	(V <sub>CCO</sub> /2) + 0.175	0.100	–	(V <sub>CCO</sub> /2) – 0.175	(V <sub>CCO</sub> /2) + 0.175	10.0	–10.0
DIFF_SSTL18_I	(V <sub>CCO</sub> /2) – 0.175	V <sub>CCO</sub> /2	(V <sub>CCO</sub> /2) + 0.175	0.100	–	(V <sub>CCO</sub> /2) – 0.470	(V <sub>CCO</sub> /2) + 0.470	7.0	–7.0

**Notes:**

1. DIFF\_POD10 and DIFF\_POD12 HP I/O bank specifications are shown in [Table 15](#), [Table 16](#), and [Table 17](#).
2. V<sub>ICM</sub> is the input common mode voltage.
3. V<sub>ID</sub> is the input differential voltage.
4. V<sub>OL</sub> is the single-ended low-output voltage.
5. V<sub>OH</sub> is the single-ended high-output voltage.

**Table 15: DC Input Levels for Differential POD10 and POD12 I/O Standards<sup>(1)(2)</sup>**

I/O Standard	V <sub>ICM</sub> (V)			V <sub>ID</sub> (V)	
	Min	Typ	Max	Min	Max
DIFF_POD10	0.63	0.70	0.77	0.14	–
DIFF_POD12	0.76	0.84	0.92	0.16	–

**Notes:**

1. Tested according to relevant specifications.
2. Standards specified using the default I/O standard configuration. For details, see the *UltraScale Architecture SelectIO Resources User Guide* ([UG571](#)).

**Table 16: DC Output Levels for Single-ended and Differential POD10 and POD12 Standards<sup>(1)(2)</sup>**

Symbol	Description	V <sub>OUT</sub>	Min	Typ	Max	Units
R <sub>OL</sub>	Pull-down resistance.	V <sub>OM_DC</sub> (as described in <a href="#">Table 17</a> )	36	40	44	Ω
R <sub>OH</sub>	Pull-up resistance.	V <sub>OM_DC</sub> (as described in <a href="#">Table 17</a> )	36	40	44	Ω

**Notes:**

1. Tested according to relevant specifications.
2. Standards specified using the default I/O standard configuration. For details, see the *UltraScale Architecture SelectIO Resources User Guide* ([UG571](#)).

**Table 17: [Table 16](#) Definitions for DC Output Levels for POD Standards**

Symbol	Description	All Speed Grades	Units
V <sub>OM_DC</sub>	DC output Mid measurement level (for IV curve linearity).	0.8 x V <sub>CCO</sub>	V

## LVDS DC Specifications (LVDS\_25)

The LVDS\_25 standard is available in the HD I/O banks. See the *UltraScale Architecture SelectIO Resources User Guide* ([UG571](#)) for more information.

Table 18: LVDS\_25 DC Specifications

Symbol	DC Parameter	Conditions	Min	Typ	Max	Units
$V_{CCO}^{(1)}$	Supply voltage.		2.375	2.500	2.625	V
$V_{IDIFF}$	Differential input voltage: ( $\overline{Q} - Q$ ), $\overline{Q} = \text{High}$ ( $Q - \overline{Q}$ ), $Q = \text{High}$		100	350	600 <sup>(2)</sup>	mV
$V_{ICM}$	Input common-mode voltage.		0.300	1.200	1.425	V

### Notes:

- LVDS\_25 in HD I/O banks supports inputs only. LVDS\_25 inputs without internal termination have no  $V_{CCO}$  requirements. Any  $V_{CCO}$  can be chosen as long as the input voltage levels do not violate the *Recommended Operating Condition* (Table 2) specification for the  $V_{IN}$  I/O pin voltage.
- Maximum  $V_{IDIFF}$  value is specified for the maximum  $V_{ICM}$  specification. With a lower  $V_{ICM}$ , a higher  $V_{IDIFF}$  is tolerated only when the recommended operating conditions and overshoot/undershoot  $V_{IN}$  specifications are maintained.

## LVDS DC Specifications (LVDS)

The LVDS standard is available in the HP I/O banks. See the *UltraScale Architecture SelectIO Resources User Guide* ([UG571](#)) for more information.

Table 19: LVDS DC Specifications

Symbol	DC Parameter	Conditions	Min	Typ	Max	Units
$V_{CCO}^{(1)}$	Supply voltage.		1.710	1.800	1.890	V
$V_{ODIFF}^{(2)}$	Differential output voltage: ( $\overline{Q} - Q$ ), $\overline{Q} = \text{High}$ ( $Q - \overline{Q}$ ), $Q = \text{High}$	$R_T = 100\Omega$ across $Q$ and $\overline{Q}$ signals	247	350	454	mV
$V_{OCM}^{(2)}$	Output common-mode voltage.	$R_T = 100\Omega$ across $Q$ and $\overline{Q}$ signals	1.000	1.250	1.425	V
$V_{IDIFF}^{(3)}$	Differential input voltage: ( $\overline{Q} - Q$ ), $\overline{Q} = \text{High}$ ( $Q - \overline{Q}$ ), $Q = \text{High}$		100	350	600 <sup>(3)</sup>	mV
$V_{ICM\_DC}^{(4)}$	Input common-mode voltage (DC coupling).		0.300	1.200	1.425	V
$V_{ICM\_AC}^{(5)}$	Input common-mode voltage (AC coupling).		0.600	–	1.100	V

### Notes:

- In HP I/O banks, when LVDS is used with input-only functionality, it can be placed in a bank where the  $V_{CCO}$  levels are different from the specified level only if internal differential termination is not used. In this scenario,  $V_{CCO}$  must be chosen to ensure the input pin voltage levels do not violate the *Recommended Operating Condition* (Table 2) specification for the  $V_{IN}$  I/O pin voltage.
- $V_{OCM}$  and  $V_{ODIFF}$  values are for  $LVDS\_PRE\_EMPHASIS = \text{FALSE}$ .
- Maximum  $V_{IDIFF}$  value is specified for the maximum  $V_{ICM}$  specification. With a lower  $V_{ICM}$ , a higher  $V_{IDIFF}$  is tolerated only when the recommended operating conditions and overshoot/undershoot  $V_{IN}$  specifications are maintained.
- Input common mode voltage for DC coupled configurations.  $EQUALIZATION = \text{EQ\_NONE}$  (Default).
- External input common mode voltage specification for AC coupled configurations.  $EQUALIZATION = \text{EQ\_LEVEL0}$ ,  $\text{EQ\_LEVEL1}$ ,  $\text{EQ\_LEVEL2}$ ,  $\text{EQ\_LEVEL3}$ ,  $\text{EQ\_LEVEL4}$ .

## AC Switching Characteristics

All values represented in this data sheet are based on the speed specifications in the Vivado® Design Suite as outlined in [Table 20](#).

*Table 20: Speed Specification Version By Device*

2017.2	Device
1.09	XCKU11P
1.12	XCKU3P, XCKU5P, XCKU9P, XCKU13P, and XCKU15P

Switching characteristics are specified on a per-speed-grade basis and can be designated as Advance, Preliminary, or Production. Each designation is defined as follows:

### Advance Product Specification

These specifications are based on simulations only and are typically available soon after device design specifications are frozen. Although speed grades with this designation are considered relatively stable and conservative, some under-reporting might still occur.

### Preliminary Product Specification

These specifications are based on complete ES (engineering sample) silicon characterization. Devices and speed grades with this designation are intended to give a better indication of the expected performance of production silicon. The probability of under-reporting delays is greatly reduced as compared to Advance data.

### Product Specification

These specifications are released once enough production silicon of a particular device family member has been characterized to provide full correlation between specifications and devices over numerous production lots. There is no under-reporting of delays, and customers receive formal notification of any subsequent changes. Typically, the slowest speed grades transition to production before faster speed grades.

## Testing of AC Switching Characteristics

Internal timing parameters are derived from measuring internal test patterns. All AC switching characteristics are representative of worst-case supply voltage and junction temperature conditions.

For more specific, more precise, and worst-case guaranteed data, use the values reported by the static timing analyzer and back-annotate to the simulation net list. Unless otherwise noted, values apply to all Kintex UltraScale+ FPGAs.



## Speed Grade Designations

Since individual family members are produced at different times, the migration from one category to another depends completely on the status of the fabrication process for each device. [Table 21](#) correlates the current status of the Kintex UltraScale+ FPGAs on a per speed grade basis.

Table 21: Speed Grade Designations by Device

Device	Speed Grade, Temperature Ranges, and $V_{CCINT}$ Operating Voltages		
	Advance	Preliminary	Production
XCKU3P	-3E ( $V_{CCINT} = 0.90V$ ) -2LE ( $V_{CCINT} = 0.85V$ ), -2LE ( $V_{CCINT} = 0.72V$ ) <sup>(1)</sup> -1LI ( $V_{CCINT} = 0.85V$ ), -1LI ( $V_{CCINT} = 0.72V$ ) <sup>(1)</sup>		-2E ( $V_{CCINT} = 0.85V$ ) -2I ( $V_{CCINT} = 0.85V$ ) -1E ( $V_{CCINT} = 0.85V$ ) -1I ( $V_{CCINT} = 0.85V$ )
XCKU5P	-3E ( $V_{CCINT} = 0.90V$ ) -2LE ( $V_{CCINT} = 0.85V$ ), -2LE ( $V_{CCINT} = 0.72V$ ) <sup>(1)</sup> -1LI ( $V_{CCINT} = 0.85V$ ), -1LI ( $V_{CCINT} = 0.72V$ ) <sup>(1)</sup>		-2E ( $V_{CCINT} = 0.85V$ ) -2I ( $V_{CCINT} = 0.85V$ ) -1E ( $V_{CCINT} = 0.85V$ ) -1I ( $V_{CCINT} = 0.85V$ )
XCKU9P	-3E ( $V_{CCINT} = 0.90V$ ) -2LE ( $V_{CCINT} = 0.85V$ ), -2LE ( $V_{CCINT} = 0.72V$ ) <sup>(1)</sup>	-1LI ( $V_{CCINT} = 0.85V$ ) -1LI ( $V_{CCINT} = 0.72V$ ) <sup>(1)</sup>	-2E ( $V_{CCINT} = 0.85V$ ) -2I ( $V_{CCINT} = 0.85V$ ) -1E ( $V_{CCINT} = 0.85V$ ) -1I ( $V_{CCINT} = 0.85V$ )
XCKU11P	-3E ( $V_{CCINT} = 0.90V$ ) -2E ( $V_{CCINT} = 0.85V$ ), -2I ( $V_{CCINT} = 0.85V$ ) -2LE ( $V_{CCINT} = 0.85V$ ) -1E ( $V_{CCINT} = 0.85V$ ), -1I ( $V_{CCINT} = 0.85V$ ) -1LI ( $V_{CCINT} = 0.85V$ ) -2LE ( $V_{CCINT} = 0.72V$ ) <sup>(1)</sup> , -1LI ( $V_{CCINT} = 0.72V$ ) <sup>(1)</sup>		
XCKU13P	-3E ( $V_{CCINT} = 0.90V$ ) -2LE ( $V_{CCINT} = 0.85V$ ), -2LE ( $V_{CCINT} = 0.72V$ ) <sup>(1)</sup> -1LI ( $V_{CCINT} = 0.85V$ ), -1LI ( $V_{CCINT} = 0.72V$ ) <sup>(1)</sup>		-2E ( $V_{CCINT} = 0.85V$ ) -2I ( $V_{CCINT} = 0.85V$ ) -1E ( $V_{CCINT} = 0.85V$ ) -1I ( $V_{CCINT} = 0.85V$ )
XCKU15P	-3E ( $V_{CCINT} = 0.90V$ ) -2E ( $V_{CCINT} = 0.85V$ ), -2I ( $V_{CCINT} = 0.85V$ ) -2LE ( $V_{CCINT} = 0.85V$ ) -1E ( $V_{CCINT} = 0.85V$ ), -1I ( $V_{CCINT} = 0.85V$ ) -1LI ( $V_{CCINT} = 0.85V$ ) -2LE ( $V_{CCINT} = 0.72V$ ) <sup>(1)</sup> , -1LI ( $V_{CCINT} = 0.72V$ ) <sup>(1)</sup>		

### Notes:

- The lowest power -1L and -2L devices, where  $V_{CCINT} = 0.72V$ , are listed in the Vivado Design Suite as -1LV and -2LV respectively.

## Production Silicon and Software Status

In some cases, a particular family member (and speed grade) is released to production before a speed specification is released with the correct label (Advance, Preliminary, Production). Any labeling discrepancies are corrected in subsequent speed specification releases.

Table 22 lists the production released Kintex UltraScale+ FPGAs, speed grade, and the minimum corresponding supported speed specification version and Vivado software revisions. The Vivado software and speed specifications listed are the minimum releases required for production. All subsequent releases of software and speed specifications are valid.

Table 22: Kintex UltraScale+ FPGA Device Production Software and Speed Specification Release

Device	Speed Grade and V <sub>CCINT</sub> Operating Voltages						
	0.90V	0.85V				0.72V	
	-3	-2	-1	-2L	-1L	-2L	-1L
XCKU3P		Vivado tools 2017.1 v1.10					
XCKU5P		Vivado tools 2017.1 v1.10					
XCKU9P		Vivado tools 2017.1 v1.10					
XCKU11P							
XCKU13P		Vivado tools 2017.2 v1.12					
XCKU15P							

### Notes:

- Blank entries indicate a device and/or speed grade in Advance or Preliminary status.

# FPGA Logic Performance Characteristics

This section provides the performance characteristics of some common functions and designs implemented in Kintex UltraScale+ FPGAs. These values are subject to the same guidelines as the [AC Switching Characteristics, page 16](#). In each table, the I/O bank type is either high performance (HP) or high density (HD).

Table 23: LVDS Component Mode Performance

Description	I/O Bank Type	Speed Grade and V <sub>CCINT</sub> Operating Voltages										Units
		0.90V		0.85V				0.72V				
		-3		-2		-1		-2		-1		
		Min	Max	Min	Max	Min	Max	Min	Max	Min	Max	
LVDS TX DDR (OSERDES 4: 1, 8: 1)	HP	0	1250	0	1250	0	1250	0	1250	0	1250	Mb/s
LVDS TX SDR (OSERDES 2: 1, 4: 1)	HP	0	625	0	625	0	625	0	625	0	625	Mb/s
LVDS RX DDR (ISERDES 1: 4, 1: 8) <sup>(1)</sup>	HP	0	1250	0	1250	0	1250	0	1250	0	1250	Mb/s
LVDS RX DDR	HD	0	250	0	250	0	250	0	250	0	250	Mb/s
LVDS RX SDR (ISERDES 1: 2, 1: 4) <sup>(1)</sup>	HP	0	625	0	625	0	625	0	625	0	625	Mb/s
LVDS RX SDR	HD	0	125	0	125	0	125	0	125	0	125	Mb/s

**Notes:**

1. LVDS receivers are typically bounded with certain applications to achieve maximum performance. Package skews are not included and should be removed through PCB routing.

Table 24: LVDS Native Mode Performance<sup>(1)(2)</sup>

Description	DATA_WIDTH	I/O Bank Type	Speed Grade and V <sub>CCINT</sub> Operating Voltages										Units
			0.90V		0.85V				0.72V				
			-3		-2		-1		-2		-1		
			Min	Max	Min	Max	Min	Max	Min	Max	Min	Max	
LVDS TX DDR (TX_BITSLICE)	4	HP	375	1600	375	1600	375	1260	375	1400	375	1260	Mb/s
	8		375	1600	375	1600	375	1260	375	1600	375	1260	Mb/s
LVDS TX SDR (TX_BITSLICE)	4	HP	187.5	800	187.5	800	187.5	630	187.5	700	187.5	630	Mb/s
	8		187.5	800	187.5	800	187.5	630	187.5	800	187.5	630	Mb/s
LVDS RX DDR (RX_BITSLICE) <sup>(3)</sup>	4	HP	375	1600	375	1600	375	1260	375	1400	375	1260	Mb/s
	8		375	1600	375	1600	375	1260	375	1600	375	1260	Mb/s
LVDS RX SDR (RX_BITSLICE) <sup>(3)</sup>	4	HP	187.5	800	187.5	800	187.5	630	187.5	700	187.5	630	Mb/s
	8		187.5	800	187.5	800	187.5	630	187.5	800	187.5	630	Mb/s

**Notes:**

1. Native mode is supported through the [High-Speed SelectIO Interface Wizard](#) available with the Vivado Design Suite. The performance values assume a source-synchronous interface.
2. PLL settings can restrict the minimum allowable data rate. For example, when using the PLL with CLKOUTPHY\_MODE = VCO\_HALF the minimum frequency is PLL\_FVCOMIN/2.
3. LVDS receivers are typically bounded with certain applications to achieve maximum performance. Package skews are not included and should be removed through PCB routing.

**Table 25: MIPI D-PHY Performance**

Description	I/O Bank Type	Speed Grade and V <sub>CCINT</sub> Operating Voltages					Units
		0.90V	0.85V		0.72V		
		-3	-2	-1	-2	-1	
MIPI D-PHY transmitter or receiver.	HP	1500	1500	1260	1260	1260	Mb/s

**Table 26: LVDS Native-Mode 1000BASE-X Support<sup>(1)</sup>**

Description	I/O Bank Type	Speed Grade and V <sub>CCINT</sub> Operating Voltages				
		0.90V	0.85V		0.72V	
		-3	-2	-1	-2	-1
1000BASE-X	HP	Yes				

**Notes:**

- 1000BASE-X support is based on the *IEEE Standard for CSMA/CD Access Method and Physical Layer Specifications* (IEEE Std 802.3-2008).

**Table 27** provides the maximum data rates for applicable memory standards using the Kintex UltraScale+ FPGA memory PHY. Refer to [Memory Interfaces](#) for the complete list of memory interface standards supported and detailed specifications. The final performance of the memory interface is determined through a complete design implemented in the Vivado Design Suite, following guidelines in the *UltraScale Architecture PCB Design Guide* ([UG583](#)), electrical analysis, and characterization of the system.

**Table 27: Maximum Physical Interface (PHY) Rate for Memory Interfaces**

Memory Standard	Package	DRAM Type	Speed Grade and V <sub>CCINT</sub> Operating Voltages					Units
			0.90V	0.85V		0.72V		
			-3	-2	-1	-2	-1	
DDR4	All FFV packages	Single rank component	2666	2666	2400	2400	2133	Mb/s
		1 rank DIMM <sup>(1)(2)(3)</sup>	2400	2400	2133	2133	1866	Mb/s
		2 rank DIMM <sup>(1)(4)</sup>	2133	2133	1866	1866	1600	Mb/s
		4 rank DIMM <sup>(1)(5)</sup>	1600	1600	1333	1333	N/A	Mb/s
	SFVB784	Single rank component	2400	2400	2133	2133	1866	Mb/s
		1 rank DIMM <sup>(1)(2)</sup>	2133	2133	1866	1866	1600	Mb/s
DDR3	All FFV packages	Single rank component	2133	2133	2133	2133	1866	Mb/s
		1 rank DIMM <sup>(1)(2)</sup>	1866	1866	1866	1866	1600	Mb/s
		2 rank DIMM <sup>(1)(4)</sup>	1600	1600	1600	1600	1333	Mb/s
		4 rank DIMM <sup>(1)(5)</sup>	1066	1066	1066	1066	800	Mb/s
	SFVB784	Single rank component	1866	1866	1866	1866	1600	Mb/s
		1 rank DIMM <sup>(1)(2)</sup>	1600	1600	1600	1600	1600	Mb/s
		2 rank DIMM <sup>(1)(4)</sup>	1600	1600	1600	1600	1333	Mb/s
		4 rank DIMM <sup>(1)(5)</sup>	1066	1066	1066	1066	800	Mb/s

**Table 27: Maximum Physical Interface (PHY) Rate for Memory Interfaces (Cont'd)**

Memory Standard	Package	DRAM Type	Speed Grade and V <sub>CCINT</sub> Operating Voltages					Units
			0.90V	0.85V		0.72V		
			-3	-2	-1	-2	-1	
DDR3L	All FFV packages	Single rank component	1866	1866	1866	1866	1600	Mb/s
		1 rank DIMM <sup>(1)(2)</sup>	1600	1600	1600	1600	1333	Mb/s
		2 rank DIMM <sup>(1)(4)</sup>	1333	1333	1333	1333	1066	Mb/s
		4 rank DIMM <sup>(1)(5)</sup>	800	800	800	800	606	Mb/s
	SFVB784	Single rank component	1600	1600	1600	1600	1600	Mb/s
		1 rank DIMM <sup>(1)(2)</sup>	1600	1600	1600	1600	1333	Mb/s
		2 rank DIMM <sup>(1)(4)</sup>	1333	1333	1333	1333	1066	Mb/s
		4 rank DIMM <sup>(1)(5)</sup>	800	800	800	800	606	Mb/s
QDR II+	All	Single rank component <sup>(6)</sup>	633	633	600	600	550	MHz
RLDRAM 3	All FFV packages	Single rank component	1200	1200	1066	1066	933	MHz
	SFVB784	Single rank component	1066	1066	933	933	800	MHz
QDR IV XP	All	Single rank component	1066	1066	1066	933	933	MHz
LPDDR3	All	Single rank component	1600	1600	1600	1600	1600	Mb/s

**Notes:**

1. Dual in-line memory module (DIMM) includes RDIMM, SODIMM, UDIMM, and LRDIMM.
2. Includes: 1 rank 1 slot, DDP 2 rank, LRDIMM 2 or 4 rank 1 slot.
3. For the DDR4 DDP components at -3 and -2 (V<sub>CCINT</sub> = 0.85V) speed grades, the maximum data rate is 2133 Mb/s for six or more DDP devices. For five or less DDP devices, use the single rank DIMM data rates for the -3 and -2 speed grades at 0.85V.
4. Includes: 2 rank 1 slot, 1 rank 2 slot, LRDIMM 2 rank 2 slot.
5. Includes: 2 rank 2 slot, 4 rank 1 slot.
6. The QDRII+ performance specifications are for burst-length 4 (BL = 4) implementations.

# FPGA Logic Switching Characteristics

Table 28 (high-density IOB (HD)) and Table 29 (high-performance IOB (HP)) summarizes the values of standard-specific data input delay adjustments, output delays terminating at pads (based on standard) and 3-state delays.

- $T_{INBUF\_DELAY\_PAD\_I}$  is the delay from IOB pad through the input buffer to the I-pin of an IOB pad. The delay varies depending on the capability of the SelectIO input buffer.
- $T_{OUTBUF\_DELAY\_O\_PAD}$  is the delay from the O pin to the IOB pad through the output buffer of an IOB pad. The delay varies depending on the capability of the SelectIO output buffer.
- $T_{OUTBUF\_DELAY\_TD\_PAD}$  is the delay from the T pin to the IOB pad through the output buffer of an IOB pad, when 3-state is disabled. The delay varies depending on the SelectIO capability of the output buffer. In HP I/O banks, the internal DCI termination turn-on time is always faster than  $T_{OUTBUF\_DELAY\_TD\_PAD}$  when the DCITERMDISABLE pin is used. In HD I/O banks, the on-die termination turn-on time is always faster than  $T_{OUTBUF\_DELAY\_TD\_PAD}$  when the INTERMDISABLE pin is used.

## IOB High Density (HD) Switching Characteristics

Table 28: IOB High Density (HD) Switching Characteristics

I/O Standards	$T_{INBUF\_DELAY\_PAD\_I}$					$T_{OUTBUF\_DELAY\_O\_PAD}$					$T_{OUTBUF\_DELAY\_TD\_PAD}$					Units
	0.90V		0.85V		0.72V	0.90V		0.85V		0.72V	0.90V		0.85V		0.72V	
	-3	-2	-1	-2	-1	-3	-2	-1	-2	-1	-3	-2	-1	-2	-1	
DIFF_HSTL_I_18_F	0.723	0.978	1.058	0.978	1.058	1.440	1.574	1.718	1.966	2.101	1.160	1.160	1.271	1.515	1.544	ns
DIFF_HSTL_I_18_S	0.723	0.978	1.058	0.978	1.058	1.672	1.805	1.950	2.197	2.333	1.748	1.748	1.867	2.103	2.104	ns
DIFF_HSTL_I_F	0.723	0.978	1.058	0.978	1.058	1.493	1.611	1.762	2.003	2.145	1.313	1.313	1.417	1.668	1.668	ns
DIFF_HSTL_I_S	0.723	0.978	1.058	0.978	1.058	1.626	1.798	1.913	2.190	2.296	1.630	1.630	1.780	1.985	1.986	ns
DIFF_HSUL_12_F	0.646	0.911	0.977	0.911	0.977	1.423	1.573	1.703	1.965	2.086	1.222	1.222	1.335	1.577	1.578	ns
DIFF_HSUL_12_S	0.646	0.911	0.977	0.911	0.977	1.583	1.711	1.864	2.103	2.247	1.536	1.536	1.665	1.891	1.891	ns
DIFF_SSTL12_F	0.646	0.906	0.977	0.906	0.977	1.507	1.643	1.792	2.035	2.175	1.285	1.285	1.423	1.640	1.640	ns
DIFF_SSTL12_S	0.646	0.906	0.977	0.906	0.977	1.656	1.784	1.948	2.176	2.331	1.567	1.567	1.706	1.922	1.922	ns
DIFF_SSTL135_F	0.657	0.927	0.995	0.927	0.995	1.488	1.625	1.765	2.017	2.148	1.341	1.341	1.458	1.696	1.696	ns
DIFF_SSTL135_II_F	0.657	0.927	0.995	0.927	0.995	1.490	1.623	1.770	2.015	2.153	1.325	1.325	1.470	1.680	1.689	ns
DIFF_SSTL135_II_S	0.657	0.927	0.995	0.927	0.995	1.624	1.768	1.916	2.160	2.299	1.722	1.722	1.911	2.077	2.078	ns
DIFF_SSTL135_S	0.657	0.927	0.995	0.927	0.995	1.726	1.869	2.025	2.261	2.408	1.814	1.814	1.976	2.169	2.169	ns
DIFF_SSTL15_F	0.690	0.928	1.020	0.928	1.020	1.489	1.628	1.771	2.020	2.154	1.374	1.374	1.483	1.729	1.729	ns
DIFF_SSTL15_II_F	0.690	0.928	1.020	0.928	1.020	1.504	1.622	1.778	2.014	2.161	1.356	1.356	1.442	1.711	1.712	ns
DIFF_SSTL15_II_S	0.690	0.928	1.020	0.928	1.020	1.699	1.821	1.987	2.213	2.370	1.895	1.895	2.047	2.250	2.250	ns
DIFF_SSTL15_S	0.690	0.928	1.020	0.928	1.020	1.682	1.824	1.977	2.216	2.360	1.743	1.743	1.907	2.098	2.098	ns
DIFF_SSTL18_II_F	0.723	0.961	1.038	0.961	1.038	1.602	1.729	1.880	2.121	2.263	1.377	1.377	1.492	1.732	1.732	ns
DIFF_SSTL18_II_S	0.723	0.961	1.038	0.961	1.038	1.678	1.796	1.965	2.188	2.348	1.616	1.616	1.800	1.971	1.972	ns
DIFF_SSTL18_I_F	0.723	0.961	1.038	0.961	1.038	1.469	1.609	1.755	2.001	2.138	1.220	1.220	1.313	1.575	1.575	ns
DIFF_SSTL18_I_S	0.723	0.961	1.038	0.961	1.038	1.658	1.786	1.942	2.178	2.325	1.677	1.677	1.836	2.032	2.033	ns
HSTL_I_18_F	0.704	0.947	1.021	0.947	1.021	1.440	1.574	1.718	1.966	2.101	1.160	1.160	1.271	1.515	1.544	ns
HSTL_I_18_S	0.704	0.947	1.021	0.947	1.021	1.672	1.805	1.950	2.197	2.333	1.748	1.748	1.867	2.103	2.104	ns

**Table 28: IOB High Density (HD) Switching Characteristics (Cont'd)**

I/O Standards	T <sub>INBUF_DELAY_PAD_I</sub>					T <sub>OUTBUF_DELAY_O_PAD</sub>					T <sub>OUTBUF_DELAY_TD_PAD</sub>					Units
	0.90V		0.85V		0.72V	0.90V		0.85V		0.72V	0.90V		0.85V		0.72V	
	-3	-2	-1	-2	-1	-3	-2	-1	-2	-1	-3	-2	-1	-2	-1	
HSTL_I_F	0.598	0.856	0.900	0.856	0.900	1.493	1.611	1.762	2.003	2.145	1.313	1.313	1.417	1.668	1.668	ns
HSTL_I_S	0.598	0.856	0.900	0.856	0.900	1.626	1.798	1.913	2.190	2.296	1.630	1.630	1.780	1.985	1.986	ns
HSUL_12_F	0.562	0.780	0.867	0.780	0.867	1.423	1.573	1.703	1.965	2.086	1.222	1.222	1.335	1.577	1.578	ns
HSUL_12_S	0.562	0.780	0.867	0.780	0.867	1.583	1.711	1.864	2.103	2.247	1.536	1.536	1.665	1.891	1.891	ns
LVC MOS12_F_12	0.611	0.918	0.976	0.918	0.976	1.582	1.689	1.856	2.081	2.239	1.202	1.202	1.317	1.557	1.557	ns
LVC MOS12_F_4	0.611	0.918	0.976	0.918	0.976	1.644	1.742	1.922	2.134	2.305	1.353	1.353	1.478	1.708	1.708	ns
LVC MOS12_F_8	0.611	0.918	0.976	0.918	0.976	1.598	1.714	1.879	2.106	2.262	1.292	1.292	1.432	1.647	1.647	ns
LVC MOS12_S_12	0.611	0.918	0.976	0.918	0.976	1.949	2.073	2.247	2.465	2.630	1.581	1.581	1.717	1.936	1.937	ns
LVC MOS12_S_4	0.611	0.918	0.976	0.918	0.976	1.916	1.979	2.182	2.371	2.565	1.633	1.633	1.772	1.988	1.989	ns
LVC MOS12_S_8	0.611	0.918	0.976	0.918	0.976	2.062	2.205	2.406	2.597	2.789	1.767	1.767	1.928	2.122	2.123	ns
LVC MOS15_F_12	0.625	0.905	0.958	0.905	0.958	1.621	1.713	1.892	2.105	2.275	1.275	1.275	1.428	1.630	1.630	ns
LVC MOS15_F_16	0.625	0.905	0.958	0.905	0.958	1.595	1.722	1.881	2.114	2.264	1.260	1.260	1.407	1.615	1.615	ns
LVC MOS15_F_4	0.625	0.905	0.958	0.905	0.958	1.677	1.825	1.959	2.217	2.342	1.453	1.453	1.557	1.808	1.809	ns
LVC MOS15_F_8	0.625	0.905	0.958	0.905	0.958	1.651	1.778	1.930	2.170	2.313	1.378	1.378	1.458	1.733	1.733	ns
LVC MOS15_S_12	0.625	0.905	0.958	0.905	0.958	1.866	1.991	2.139	2.383	2.522	1.516	1.516	1.648	1.871	1.871	ns
LVC MOS15_S_16	0.625	0.905	0.958	0.905	0.958	2.102	2.172	2.389	2.564	2.772	1.707	1.707	1.888	2.062	2.062	ns
LVC MOS15_S_4	0.625	0.905	0.958	0.905	0.958	2.204	2.313	2.483	2.705	2.866	1.952	1.952	2.123	2.307	2.307	ns
LVC MOS15_S_8	0.625	0.905	0.958	0.905	0.958	2.102	2.170	2.400	2.562	2.783	1.817	1.817	1.984	2.172	2.173	ns
LVC MOS18_F_12	0.660	0.915	0.958	0.915	0.958	1.671	1.805	1.962	2.197	2.345	1.383	1.383	1.471	1.738	1.738	ns
LVC MOS18_F_16	0.660	0.915	0.958	0.915	0.958	1.628	1.785	1.917	2.177	2.300	1.338	1.338	1.446	1.693	1.693	ns
LVC MOS18_F_4	0.660	0.915	0.958	0.915	0.958	1.745	1.868	2.013	2.260	2.396	1.472	1.472	1.599	1.827	1.832	ns
LVC MOS18_F_8	0.660	0.915	0.958	0.915	0.958	1.715	1.797	1.979	2.189	2.362	1.384	1.384	1.487	1.739	1.739	ns
LVC MOS18_S_12	0.660	0.915	0.958	0.915	0.958	2.093	2.201	2.408	2.593	2.791	1.762	1.762	1.894	2.117	2.118	ns
LVC MOS18_S_16	0.660	0.915	0.958	0.915	0.958	2.032	2.173	2.362	2.565	2.745	1.702	1.702	1.834	2.057	2.057	ns
LVC MOS18_S_4	0.660	0.915	0.958	0.915	0.958	2.272	2.346	2.567	2.738	2.950	1.951	1.951	2.092	2.306	2.306	ns
LVC MOS18_S_8	0.660	0.915	0.958	0.915	0.958	2.205	2.292	2.511	2.684	2.894	1.848	1.848	2.008	2.203	2.204	ns
LVC MOS25_F_12	0.754	0.988	1.042	0.988	1.042	2.153	2.153	2.453	2.545	2.836	1.692	1.692	1.856	2.047	2.047	ns
LVC MOS25_F_16	0.754	0.988	1.042	0.988	1.042	2.105	2.105	2.406	2.497	2.789	1.623	1.623	1.786	1.978	1.979	ns
LVC MOS25_F_4	0.754	0.988	1.042	0.988	1.042	2.247	2.344	2.554	2.736	2.937	1.842	1.842	2.039	2.197	2.197	ns
LVC MOS25_F_8	0.754	0.988	1.042	0.988	1.042	2.184	2.184	2.516	2.576	2.899	1.726	1.726	1.910	2.081	2.081	ns
LVC MOS25_S_12	0.754	0.988	1.042	0.988	1.042	2.480	2.558	2.840	2.950	3.223	1.971	1.971	2.194	2.326	2.327	ns
LVC MOS25_S_16	0.754	0.988	1.042	0.988	1.042	2.449	2.449	2.740	2.841	3.123	1.852	1.852	2.063	2.207	2.207	ns
LVC MOS25_S_4	0.754	0.988	1.042	0.988	1.042	2.754	2.770	3.066	3.162	3.449	2.224	2.224	2.458	2.579	2.579	ns
LVC MOS25_S_8	0.754	0.988	1.042	0.988	1.042	2.639	2.663	2.963	3.055	3.346	2.091	2.091	2.373	2.446	2.446	ns
LVC MOS33_F_12	0.926	1.154	1.213	1.154	1.213	2.388	2.415	2.651	2.807	3.034	1.754	1.754	1.915	2.109	2.109	ns
LVC MOS33_F_16	0.926	1.154	1.213	1.154	1.213	2.311	2.383	2.603	2.775	2.986	1.734	1.734	1.869	2.089	2.089	ns
LVC MOS33_F_4	0.926	1.154	1.213	1.154	1.213	2.483	2.541	2.765	2.933	3.148	1.932	1.932	2.135	2.287	2.287	ns
LVC MOS33_F_8	0.926	1.154	1.213	1.154	1.213	2.542	2.603	2.822	2.995	3.205	1.937	1.937	2.130	2.292	2.294	ns
LVC MOS33_S_12	0.926	1.154	1.213	1.154	1.213	2.705	2.705	3.047	3.097	3.430	2.049	2.049	2.318	2.404	2.404	ns
LVC MOS33_S_16	0.926	1.154	1.213	1.154	1.213	2.714	2.714	3.024	3.106	3.407	2.028	2.028	2.232	2.383	2.383	ns
LVC MOS33_S_4	0.926	1.154	1.213	1.154	1.213	2.974	2.999	3.340	3.391	3.723	2.320	2.320	2.610	2.675	2.675	ns

**Table 28: IOB High Density (HD) Switching Characteristics (Cont'd)**

I/O Standards	T <sub>INBUF_DELAY_PAD_I</sub>					T <sub>OUTBUF_DELAY_O_PAD</sub>					T <sub>OUTBUF_DELAY_TD_PAD</sub>					Units
	0.90V		0.85V		0.72V	0.90V		0.85V		0.72V	0.90V		0.85V		0.72V	
	-3	-2	-1	-2	-1	-3	-2	-1	-2	-1	-3	-2	-1	-2	-1	
LVC MOS33_S_8	0.926	1.154	1.213	1.154	1.213	2.894	2.929	3.260	3.321	3.643	2.260	2.260	2.532	2.615	2.616	ns
LVDS_25	0.830	1.003	1.116	1.003	1.116	N/A	N/A	N/A	N/A	N/A	N/A	N/A	N/A	N/A	N/A	ns
LVPECL	0.830	1.003	1.116	1.003	1.116	N/A	N/A	N/A	N/A	N/A	N/A	N/A	N/A	N/A	N/A	ns
LVTTL_F_12	0.944	1.164	1.223	1.164	1.223	2.388	2.415	2.651	2.807	3.034	1.754	1.754	1.915	2.109	2.109	ns
LVTTL_F_16	0.944	1.164	1.223	1.164	1.223	2.433	2.464	2.732	2.856	3.115	1.750	1.750	1.986	2.105	2.117	ns
LVTTL_F_4	0.944	1.164	1.223	1.164	1.223	2.483	2.541	2.765	2.933	3.148	1.932	1.932	2.135	2.287	2.287	ns
LVTTL_F_8	0.944	1.164	1.223	1.164	1.223	2.512	2.582	2.787	2.974	3.170	1.910	1.910	2.063	2.265	2.265	ns
LVTTL_S_12	0.944	1.164	1.223	1.164	1.223	2.731	2.731	3.075	3.123	3.458	2.072	2.072	2.343	2.427	2.427	ns
LVTTL_S_16	0.944	1.164	1.223	1.164	1.223	2.714	2.714	3.024	3.106	3.407	2.028	2.028	2.232	2.383	2.383	ns
LVTTL_S_4	0.944	1.164	1.223	1.164	1.223	2.974	2.999	3.340	3.391	3.723	2.320	2.320	2.610	2.675	2.675	ns
LVTTL_S_8	0.944	1.164	1.223	1.164	1.223	2.894	2.929	3.260	3.321	3.643	2.260	2.260	2.532	2.615	2.616	ns
SLVS_400_25	0.848	1.020	1.136	1.020	1.136	N/A	N/A	N/A	N/A	N/A	N/A	N/A	N/A	N/A	N/A	ns
SSTL12_F	0.562	0.780	0.867	0.780	0.867	1.507	1.643	1.792	2.035	2.175	1.285	1.285	1.423	1.640	1.640	ns
SSTL12_S	0.562	0.780	0.867	0.780	0.867	1.656	1.784	1.948	2.176	2.331	1.567	1.567	1.706	1.922	1.922	ns
SSTL135_F	0.581	0.798	0.881	0.798	0.881	1.488	1.625	1.765	2.017	2.148	1.341	1.341	1.458	1.696	1.696	ns
SSTL135_II_F	0.581	0.798	0.881	0.798	0.881	1.504	1.623	1.770	2.015	2.153	1.325	1.325	1.470	1.680	1.689	ns
SSTL135_II_S	0.581	0.798	0.881	0.798	0.881	1.624	1.768	1.916	2.160	2.299	1.722	1.722	1.911	2.077	2.078	ns
SSTL135_S	0.581	0.798	0.881	0.798	0.881	1.726	1.869	2.025	2.261	2.408	1.814	1.814	1.976	2.169	2.169	ns
SSTL15_F	0.581	0.838	0.880	0.838	0.880	1.474	1.612	1.754	2.004	2.137	1.357	1.357	1.464	1.712	1.713	ns
SSTL15_II_F	0.581	0.838	0.880	0.838	0.880	1.518	1.622	1.778	2.014	2.161	1.356	1.356	1.442	1.711	1.712	ns
SSTL15_II_S	0.581	0.838	0.880	0.838	0.880	1.699	1.821	1.987	2.213	2.370	1.895	1.895	2.047	2.250	2.250	ns
SSTL15_S	0.581	0.838	0.880	0.838	0.880	1.682	1.824	1.977	2.216	2.360	1.743	1.743	1.907	2.098	2.098	ns
SSTL18_II_F	0.704	0.947	1.021	0.947	1.021	1.629	1.729	1.880	2.121	2.263	1.377	1.377	1.492	1.732	1.732	ns
SSTL18_II_S	0.704	0.947	1.021	0.947	1.021	1.678	1.796	1.965	2.188	2.348	1.616	1.616	1.800	1.971	1.972	ns
SSTL18_I_F	0.704	0.947	1.021	0.947	1.021	1.496	1.609	1.755	2.001	2.138	1.220	1.220	1.313	1.575	1.575	ns
SSTL18_I_S	0.704	0.947	1.021	0.947	1.021	1.675	1.786	1.942	2.178	2.325	1.677	1.677	1.836	2.032	2.033	ns
SUB_LVDS	0.721	1.002	1.036	1.002	1.036	N/A	N/A	N/A	N/A	N/A	N/A	N/A	N/A	N/A	N/A	ns



## IOB High Performance (HP) Switching Characteristics

Table 29: IOB High Performance (HP) Switching Characteristics

I/O Standards	T <sub>INBUF_DELAY_PAD_I</sub>					T <sub>OUTBUF_DELAY_O_PAD</sub>					T <sub>OUTBUF_DELAY_TD_PAD</sub>					Units
	0.90V		0.85V		0.72V	0.90V		0.85V		0.72V	0.90V		0.85V		0.72V	
	-3	-2	-1	-2	-1	-3	-2	-1	-2	-1	-3	-2	-1	-2	-1	
DIFF_HSTL_I_12_F	0.288	0.394	0.402	0.394	0.402	0.410	0.423	0.443	0.423	0.443	0.514	0.553	0.582	0.553	0.582	ns
DIFF_HSTL_I_12_M	0.288	0.394	0.402	0.394	0.402	0.552	0.552	0.583	0.552	0.583	0.632	0.641	0.679	0.641	0.679	ns
DIFF_HSTL_I_12_S	0.288	0.394	0.402	0.394	0.402	0.752	0.752	0.800	0.752	0.800	0.813	0.813	0.868	0.813	0.868	ns
DIFF_HSTL_I_18_F	0.259	0.319	0.339	0.319	0.339	0.439	0.456	0.474	0.456	0.474	0.549	0.576	0.606	0.576	0.606	ns
DIFF_HSTL_I_18_M	0.259	0.319	0.339	0.319	0.339	0.563	0.570	0.603	0.570	0.603	0.636	0.653	0.692	0.653	0.692	ns
DIFF_HSTL_I_18_S	0.259	0.319	0.339	0.319	0.339	0.782	0.782	0.834	0.782	0.834	0.816	0.816	0.871	0.816	0.871	ns
DIFF_HSTL_I_DCI_12_F	0.288	0.394	0.402	0.394	0.402	0.393	0.406	0.429	0.406	0.429	0.502	0.534	0.564	0.534	0.564	ns
DIFF_HSTL_I_DCI_12_M	0.288	0.394	0.402	0.394	0.402	0.546	0.557	0.587	0.557	0.587	0.636	0.653	0.694	0.653	0.694	ns
DIFF_HSTL_I_DCI_12_S	0.288	0.394	0.402	0.394	0.402	0.755	0.755	0.806	0.755	0.806	0.842	0.842	0.907	0.842	0.907	ns
DIFF_HSTL_I_DCI_18_F	0.259	0.323	0.339	0.323	0.339	0.422	0.445	0.461	0.445	0.461	0.509	0.566	0.595	0.566	0.595	ns
DIFF_HSTL_I_DCI_18_M	0.259	0.323	0.339	0.323	0.339	0.546	0.555	0.586	0.555	0.586	0.626	0.643	0.684	0.643	0.684	ns
DIFF_HSTL_I_DCI_18_S	0.259	0.323	0.339	0.323	0.339	0.762	0.762	0.818	0.762	0.818	0.836	0.836	0.900	0.836	0.900	ns
DIFF_HSTL_I_DCI_F	0.335	0.397	0.417	0.397	0.417	0.407	0.431	0.445	0.431	0.445	0.517	0.555	0.575	0.555	0.575	ns
DIFF_HSTL_I_DCI_M	0.335	0.397	0.417	0.397	0.417	0.549	0.553	0.583	0.553	0.583	0.634	0.644	0.684	0.644	0.684	ns
DIFF_HSTL_I_DCI_S	0.335	0.397	0.417	0.397	0.417	0.767	0.767	0.823	0.767	0.823	0.848	0.848	0.912	0.848	0.912	ns
DIFF_HSTL_I_F	0.304	0.404	0.417	0.404	0.417	0.409	0.423	0.443	0.423	0.443	0.514	0.549	0.581	0.549	0.581	ns
DIFF_HSTL_I_M	0.304	0.404	0.417	0.404	0.417	0.549	0.555	0.586	0.555	0.586	0.624	0.640	0.677	0.640	0.677	ns
DIFF_HSTL_I_S	0.304	0.404	0.417	0.404	0.417	0.767	0.767	0.818	0.767	0.818	0.811	0.811	0.866	0.811	0.866	ns
DIFF_HSUL_12_DCI_F	0.320	0.381	0.400	0.381	0.400	0.411	0.425	0.443	0.425	0.443	0.520	0.558	0.586	0.558	0.586	ns
DIFF_HSUL_12_DCI_M	0.320	0.381	0.400	0.381	0.400	0.546	0.557	0.587	0.557	0.587	0.636	0.653	0.694	0.653	0.694	ns
DIFF_HSUL_12_DCI_S	0.320	0.381	0.400	0.381	0.400	0.737	0.737	0.787	0.737	0.787	0.822	0.822	0.885	0.822	0.885	ns
DIFF_HSUL_12_F	0.322	0.394	0.402	0.394	0.402	0.394	0.412	0.430	0.412	0.430	0.494	0.538	0.566	0.538	0.566	ns
DIFF_HSUL_12_M	0.322	0.394	0.402	0.394	0.402	0.552	0.552	0.583	0.552	0.583	0.632	0.641	0.679	0.641	0.679	ns
DIFF_HSUL_12_S	0.322	0.394	0.402	0.394	0.402	0.752	0.752	0.800	0.752	0.800	0.813	0.813	0.868	0.813	0.868	ns
DIFF_POD10_DCI_F	0.289	0.411	0.430	0.411	0.430	0.407	0.425	0.444	0.425	0.444	0.512	0.555	0.584	0.555	0.584	ns
DIFF_POD10_DCI_M	0.289	0.411	0.430	0.411	0.430	0.533	0.542	0.571	0.542	0.571	0.618	0.640	0.681	0.640	0.681	ns
DIFF_POD10_DCI_S	0.289	0.411	0.430	0.411	0.430	0.754	0.754	0.815	0.754	0.815	0.850	0.850	0.917	0.850	0.917	ns
DIFF_POD10_F	0.288	0.411	0.433	0.411	0.433	0.425	0.438	0.459	0.438	0.459	0.531	0.569	0.601	0.569	0.601	ns
DIFF_POD10_M	0.288	0.411	0.433	0.411	0.433	0.519	0.538	0.568	0.538	0.568	0.589	0.630	0.667	0.630	0.667	ns
DIFF_POD10_S	0.288	0.411	0.433	0.411	0.433	0.752	0.766	0.821	0.766	0.821	0.821	0.836	0.894	0.836	0.894	ns
DIFF_POD12_DCI_F	0.320	0.407	0.432	0.407	0.432	0.411	0.425	0.443	0.425	0.443	0.519	0.558	0.586	0.558	0.586	ns
DIFF_POD12_DCI_M	0.320	0.407	0.432	0.407	0.432	0.516	0.543	0.572	0.543	0.572	0.602	0.638	0.678	0.638	0.678	ns
DIFF_POD12_DCI_S	0.320	0.407	0.432	0.407	0.432	0.740	0.772	0.822	0.772	0.822	0.833	0.862	0.929	0.862	0.929	ns
DIFF_POD12_F	0.305	0.409	0.430	0.409	0.430	0.438	0.455	0.476	0.455	0.476	0.549	0.595	0.626	0.595	0.626	ns
DIFF_POD12_M	0.305	0.409	0.430	0.409	0.430	0.551	0.551	0.582	0.551	0.582	0.632	0.641	0.679	0.641	0.679	ns
DIFF_POD12_S	0.305	0.409	0.430	0.409	0.430	0.749	0.767	0.817	0.767	0.817	0.818	0.832	0.889	0.832	0.889	ns
DIFF_SSTL12_DCI_F	0.303	0.381	0.400	0.381	0.400	0.411	0.425	0.443	0.425	0.443	0.520	0.558	0.586	0.558	0.586	ns
DIFF_SSTL12_DCI_M	0.303	0.381	0.400	0.381	0.400	0.549	0.557	0.587	0.557	0.587	0.643	0.654	0.694	0.654	0.694	ns
DIFF_SSTL12_DCI_S	0.303	0.381	0.400	0.381	0.400	0.754	0.754	0.803	0.754	0.803	0.842	0.842	0.908	0.842	0.908	ns

**Table 29: IOB High Performance (HP) Switching Characteristics (Cont'd)**

I/O Standards	T <sub>INBUF_DELAY_PAD_I</sub>					T <sub>OUTBUF_DELAY_O_PAD</sub>					T <sub>OUTBUF_DELAY_TD_PAD</sub>					Units
	0.90V		0.85V		0.72V	0.90V		0.85V		0.72V	0.90V		0.85V		0.72V	
	-3	-2	-1	-2	-1	-3	-2	-1	-2	-1	-3	-2	-1	-2	-1	
DIFF_SSTL12_F	0.288	0.394	0.402	0.394	0.402	0.394	0.412	0.430	0.412	0.430	0.494	0.538	0.566	0.538	0.566	ns
DIFF_SSTL12_M	0.288	0.394	0.402	0.394	0.402	0.550	0.553	0.584	0.553	0.584	0.630	0.641	0.676	0.641	0.676	ns
DIFF_SSTL12_S	0.288	0.394	0.402	0.394	0.402	0.758	0.758	0.808	0.758	0.808	0.823	0.823	0.879	0.823	0.879	ns
DIFF_SSTL135_DCI_F	0.303	0.371	0.402	0.371	0.402	0.392	0.411	0.428	0.411	0.428	0.494	0.537	0.565	0.537	0.565	ns
DIFF_SSTL135_DCI_M	0.303	0.371	0.402	0.371	0.402	0.551	0.551	0.582	0.551	0.582	0.643	0.645	0.685	0.645	0.685	ns
DIFF_SSTL135_DCI_S	0.303	0.371	0.402	0.371	0.402	0.746	0.746	0.799	0.746	0.799	0.829	0.829	0.893	0.829	0.893	ns
DIFF_SSTL135_F	0.289	0.375	0.402	0.375	0.402	0.393	0.408	0.428	0.408	0.428	0.491	0.528	0.561	0.528	0.561	ns
DIFF_SSTL135_M	0.289	0.375	0.402	0.375	0.402	0.548	0.555	0.585	0.555	0.585	0.621	0.641	0.679	0.641	0.679	ns
DIFF_SSTL135_S	0.289	0.375	0.402	0.375	0.402	0.746	0.746	0.823	0.772	0.823	0.827	0.827	0.878	0.827	0.878	ns
DIFF_SSTL15_DCI_F	0.335	0.397	0.417	0.397	0.417	0.394	0.412	0.429	0.412	0.429	0.497	0.531	0.563	0.531	0.563	ns
DIFF_SSTL15_DCI_M	0.335	0.397	0.417	0.397	0.417	0.549	0.553	0.583	0.553	0.583	0.632	0.645	0.685	0.645	0.685	ns
DIFF_SSTL15_DCI_S	0.335	0.397	0.417	0.397	0.417	0.746	0.746	0.822	0.768	0.822	0.847	0.847	0.912	0.847	0.912	ns
DIFF_SSTL15_F	0.304	0.404	0.417	0.404	0.417	0.409	0.424	0.445	0.424	0.445	0.513	0.551	0.577	0.551	0.577	ns
DIFF_SSTL15_M	0.304	0.404	0.417	0.404	0.417	0.547	0.554	0.585	0.554	0.585	0.624	0.639	0.677	0.639	0.677	ns
DIFF_SSTL15_S	0.304	0.404	0.417	0.404	0.417	0.746	0.746	0.817	0.767	0.817	0.813	0.813	0.867	0.813	0.867	ns
DIFF_SSTL18_I_DCI_F	0.256	0.320	0.336	0.320	0.336	0.422	0.445	0.461	0.445	0.461	0.540	0.566	0.595	0.566	0.595	ns
DIFF_SSTL18_I_DCI_M	0.256	0.320	0.336	0.320	0.336	0.552	0.554	0.585	0.554	0.585	0.629	0.644	0.683	0.644	0.683	ns
DIFF_SSTL18_I_DCI_S	0.256	0.320	0.336	0.320	0.336	0.746	0.746	0.818	0.762	0.818	0.837	0.837	0.899	0.837	0.899	ns
DIFF_SSTL18_I_F	0.256	0.316	0.336	0.316	0.336	0.439	0.454	0.476	0.454	0.476	0.549	0.578	0.608	0.578	0.608	ns
DIFF_SSTL18_I_M	0.256	0.316	0.336	0.316	0.336	0.567	0.571	0.603	0.571	0.603	0.535	0.652	0.692	0.652	0.692	ns
DIFF_SSTL18_I_S	0.256	0.316	0.336	0.316	0.336	0.746	0.746	0.835	0.782	0.835	0.816	0.816	0.870	0.816	0.870	ns
HSLVDCI_15_F	0.336	0.393	0.415	0.393	0.415	0.407	0.425	0.443	0.425	0.443	0.513	0.548	0.579	0.548	0.579	ns
HSLVDCI_15_M	0.336	0.393	0.415	0.393	0.415	0.548	0.552	0.581	0.552	0.581	0.635	0.644	0.684	0.644	0.684	ns
HSLVDCI_15_S	0.336	0.393	0.415	0.393	0.415	0.748	0.748	0.802	0.748	0.802	0.827	0.827	0.890	0.827	0.890	ns
HSLVDCI_18_F	0.367	0.424	0.447	0.424	0.447	0.424	0.445	0.461	0.445	0.461	0.541	0.566	0.595	0.566	0.595	ns
HSLVDCI_18_M	0.367	0.424	0.447	0.424	0.447	0.563	0.567	0.598	0.567	0.598	0.647	0.658	0.699	0.658	0.699	ns
HSLVDCI_18_S	0.367	0.424	0.447	0.424	0.447	0.761	0.761	0.817	0.761	0.817	0.836	0.836	0.900	0.836	0.900	ns
HSTL_I_12_F	0.322	0.378	0.399	0.378	0.399	0.410	0.423	0.443	0.423	0.443	0.514	0.553	0.582	0.553	0.582	ns
HSTL_I_12_M	0.322	0.378	0.399	0.378	0.399	0.551	0.551	0.582	0.551	0.582	0.632	0.642	0.679	0.642	0.679	ns
HSTL_I_12_S	0.322	0.378	0.399	0.378	0.399	0.750	0.750	0.799	0.750	0.799	0.813	0.813	0.868	0.813	0.868	ns
HSTL_I_18_F	0.258	0.322	0.339	0.322	0.339	0.439	0.456	0.474	0.456	0.474	0.549	0.576	0.606	0.576	0.606	ns
HSTL_I_18_M	0.258	0.322	0.339	0.322	0.339	0.562	0.569	0.602	0.569	0.602	0.637	0.653	0.692	0.653	0.692	ns
HSTL_I_18_S	0.258	0.322	0.339	0.322	0.339	0.781	0.781	0.833	0.781	0.833	0.816	0.816	0.871	0.816	0.871	ns
HSTL_I_DCI_12_F	0.322	0.378	0.399	0.378	0.399	0.393	0.406	0.429	0.406	0.429	0.502	0.534	0.564	0.534	0.564	ns
HSTL_I_DCI_12_M	0.322	0.378	0.399	0.378	0.399	0.551	0.556	0.586	0.556	0.586	0.644	0.654	0.694	0.654	0.694	ns
HSTL_I_DCI_12_S	0.322	0.378	0.399	0.378	0.399	0.754	0.754	0.803	0.754	0.803	0.842	0.842	0.907	0.842	0.907	ns
HSTL_I_DCI_18_F	0.258	0.321	0.339	0.321	0.339	0.422	0.445	0.461	0.445	0.461	0.509	0.566	0.595	0.566	0.595	ns
HSTL_I_DCI_18_M	0.258	0.321	0.339	0.321	0.339	0.551	0.554	0.585	0.554	0.585	0.634	0.643	0.684	0.643	0.684	ns
HSTL_I_DCI_18_S	0.258	0.321	0.339	0.321	0.339	0.761	0.761	0.817	0.761	0.817	0.836	0.836	0.900	0.836	0.900	ns
HSTL_I_DCI_F	0.243	0.393	0.415	0.393	0.415	0.407	0.431	0.445	0.431	0.445	0.517	0.555	0.575	0.555	0.575	ns
HSTL_I_DCI_M	0.243	0.393	0.415	0.393	0.415	0.548	0.552	0.581	0.552	0.581	0.635	0.644	0.684	0.644	0.684	ns

**Table 29: IOB High Performance (HP) Switching Characteristics (Cont'd)**

I/O Standards	T <sub>INBUF_DELAY_PAD_I</sub>					T <sub>OUTBUF_DELAY_O_PAD</sub>					T <sub>OUTBUF_DELAY_TD_PAD</sub>					Units
	0.90V		0.85V		0.72V	0.90V		0.85V		0.72V	0.90V		0.85V		0.72V	
	-3	-2	-1	-2	-1	-3	-2	-1	-2	-1	-3	-2	-1	-2	-1	
HSTL_I_DCI_S	0.243	0.393	0.415	0.393	0.415	0.766	0.766	0.821	0.766	0.821	0.847	0.847	0.912	0.847	0.912	ns
HSTL_I_F	0.322	0.378	0.399	0.378	0.399	0.409	0.423	0.443	0.423	0.443	0.514	0.549	0.581	0.549	0.581	ns
HSTL_I_M	0.322	0.378	0.399	0.378	0.399	0.548	0.554	0.585	0.554	0.585	0.624	0.640	0.677	0.640	0.677	ns
HSTL_I_S	0.322	0.378	0.399	0.378	0.399	0.766	0.766	0.816	0.766	0.816	0.811	0.811	0.866	0.811	0.866	ns
HSUL_12_DCI_F	0.319	0.378	0.399	0.378	0.399	0.411	0.425	0.443	0.425	0.443	0.520	0.558	0.586	0.558	0.586	ns
HSUL_12_DCI_M	0.319	0.378	0.399	0.378	0.399	0.551	0.556	0.586	0.556	0.586	0.644	0.654	0.694	0.654	0.694	ns
HSUL_12_DCI_S	0.319	0.378	0.399	0.378	0.399	0.736	0.736	0.784	0.736	0.784	0.821	0.821	0.886	0.821	0.886	ns
HSUL_12_F	0.305	0.378	0.399	0.378	0.399	0.394	0.412	0.430	0.412	0.430	0.494	0.538	0.566	0.538	0.566	ns
HSUL_12_M	0.305	0.378	0.399	0.378	0.399	0.551	0.551	0.582	0.551	0.582	0.632	0.642	0.679	0.642	0.679	ns
HSUL_12_S	0.305	0.378	0.399	0.378	0.399	0.750	0.750	0.799	0.750	0.799	0.813	0.813	0.868	0.813	0.868	ns
LVC MOS12_F_2	0.443	0.512	0.555	0.512	0.555	0.657	0.672	0.692	0.672	0.692	0.862	0.898	0.922	0.898	0.922	ns
LVC MOS12_F_4	0.443	0.512	0.555	0.512	0.555	0.486	0.504	0.521	0.504	0.521	0.645	0.664	0.693	0.664	0.693	ns
LVC MOS12_F_6	0.443	0.512	0.555	0.512	0.555	0.469	0.485	0.507	0.485	0.507	0.585	0.634	0.669	0.634	0.669	ns
LVC MOS12_F_8	0.443	0.512	0.555	0.512	0.555	0.457	0.465	0.489	0.465	0.489	0.592	0.611	0.666	0.611	0.666	ns
LVC MOS12_M_2	0.443	0.512	0.555	0.512	0.555	0.687	0.708	0.727	0.708	0.727	0.889	0.916	0.945	0.916	0.945	ns
LVC MOS12_M_4	0.443	0.512	0.555	0.512	0.555	0.533	0.550	0.573	0.550	0.573	0.629	0.664	0.690	0.664	0.690	ns
LVC MOS12_M_6	0.443	0.512	0.555	0.512	0.555	0.520	0.527	0.554	0.527	0.554	0.608	0.622	0.652	0.622	0.652	ns
LVC MOS12_M_8	0.443	0.512	0.555	0.512	0.555	0.532	0.540	0.571	0.540	0.571	0.606	0.614	0.649	0.614	0.649	ns
LVC MOS12_S_2	0.443	0.512	0.555	0.512	0.555	0.767	0.767	0.803	0.767	0.803	0.981	0.990	1.024	0.990	1.024	ns
LVC MOS12_S_4	0.443	0.512	0.555	0.512	0.555	0.666	0.666	0.704	0.666	0.704	0.803	0.803	0.848	0.803	0.848	ns
LVC MOS12_S_6	0.443	0.512	0.555	0.512	0.555	0.657	0.657	0.695	0.657	0.695	0.732	0.732	0.774	0.732	0.774	ns
LVC MOS12_S_8	0.443	0.512	0.555	0.512	0.555	0.708	0.708	0.761	0.708	0.761	0.745	0.745	0.790	0.745	0.790	ns
LVC MOS15_F_12	0.368	0.414	0.445	0.414	0.445	0.485	0.500	0.522	0.500	0.522	0.584	0.647	0.682	0.647	0.682	ns
LVC MOS15_F_2	0.368	0.414	0.445	0.414	0.445	0.686	0.702	0.722	0.702	0.722	0.893	0.919	0.940	0.919	0.940	ns
LVC MOS15_F_4	0.368	0.414	0.445	0.414	0.445	0.567	0.579	0.601	0.579	0.601	0.727	0.755	0.781	0.755	0.781	ns
LVC MOS15_F_6	0.368	0.414	0.445	0.414	0.445	0.533	0.547	0.569	0.547	0.569	0.684	0.711	0.742	0.711	0.742	ns
LVC MOS15_F_8	0.368	0.414	0.445	0.414	0.445	0.500	0.518	0.538	0.518	0.538	0.635	0.686	0.703	0.686	0.703	ns
LVC MOS15_M_12	0.368	0.414	0.445	0.414	0.445	0.607	0.607	0.644	0.607	0.644	0.637	0.637	0.676	0.637	0.676	ns
LVC MOS15_M_2	0.368	0.414	0.445	0.414	0.445	0.736	0.741	0.770	0.741	0.770	0.929	0.938	0.962	0.938	0.962	ns
LVC MOS15_M_4	0.368	0.414	0.445	0.414	0.445	0.610	0.625	0.651	0.625	0.651	0.733	0.754	0.786	0.754	0.786	ns
LVC MOS15_M_6	0.368	0.414	0.445	0.414	0.445	0.564	0.576	0.604	0.576	0.604	0.655	0.674	0.710	0.674	0.710	ns
LVC MOS15_M_8	0.368	0.414	0.445	0.414	0.445	0.565	0.568	0.601	0.568	0.601	0.634	0.639	0.681	0.639	0.681	ns
LVC MOS15_S_12	0.368	0.414	0.445	0.414	0.445	0.788	0.788	0.855	0.788	0.855	0.695	0.695	0.733	0.695	0.733	ns
LVC MOS15_S_2	0.368	0.414	0.445	0.414	0.445	0.829	0.829	0.864	0.829	0.864	1.038	1.039	1.079	1.039	1.079	ns
LVC MOS15_S_4	0.368	0.414	0.445	0.414	0.445	0.687	0.687	0.725	0.687	0.725	0.813	0.813	0.851	0.813	0.851	ns
LVC MOS15_S_6	0.368	0.414	0.445	0.414	0.445	0.671	0.671	0.710	0.671	0.710	0.726	0.726	0.763	0.726	0.763	ns
LVC MOS15_S_8	0.368	0.414	0.445	0.414	0.445	0.704	0.704	0.755	0.704	0.755	0.721	0.721	0.758	0.721	0.758	ns
LVC MOS18_F_12	0.352	0.418	0.445	0.418	0.445	0.564	0.573	0.601	0.573	0.601	0.696	0.731	0.769	0.731	0.769	ns
LVC MOS18_F_2	0.352	0.418	0.445	0.418	0.445	0.723	0.739	0.760	0.739	0.760	0.918	0.945	0.971	0.945	0.971	ns
LVC MOS18_F_4	0.352	0.418	0.445	0.418	0.445	0.598	0.609	0.630	0.609	0.630	0.749	0.778	0.802	0.778	0.802	ns
LVC MOS18_F_6	0.352	0.418	0.445	0.418	0.445	0.598	0.603	0.633	0.603	0.633	0.781	0.781	0.808	0.781	0.808	ns

Table 29: IOB High Performance (HP) Switching Characteristics (Cont'd)

I/O Standards	T <sub>INBUF_DELAY_PAD_I</sub>					T <sub>OUTBUF_DELAY_O_PAD</sub>					T <sub>OUTBUF_DELAY_TD_PAD</sub>					Units
	0.90V		0.85V		0.72V	0.90V		0.85V		0.72V	0.90V		0.85V		0.72V	
	-3	-2	-1	-2	-1	-3	-2	-1	-2	-1	-3	-2	-1	-2	-1	
LVC MOS18_F_8	0.352	0.418	0.445	0.418	0.445	0.567	0.573	0.600	0.573	0.600	0.712	0.733	0.767	0.733	0.767	ns
LVC MOS18_M_12	0.352	0.418	0.445	0.418	0.445	0.640	0.640	0.678	0.640	0.678	0.670	0.670	0.709	0.670	0.709	ns
LVC MOS18_M_2	0.352	0.418	0.445	0.418	0.445	0.785	0.798	0.822	0.798	0.822	0.986	0.991	1.016	0.991	1.016	ns
LVC MOS18_M_4	0.352	0.418	0.445	0.418	0.445	0.658	0.664	0.693	0.664	0.693	0.786	0.798	0.836	0.798	0.836	ns
LVC MOS18_M_6	0.352	0.418	0.445	0.418	0.445	0.625	0.629	0.663	0.629	0.663	0.727	0.735	0.775	0.735	0.775	ns
LVC MOS18_M_8	0.352	0.418	0.445	0.418	0.445	0.626	0.626	0.661	0.626	0.661	0.705	0.705	0.746	0.705	0.746	ns
LVC MOS18_S_12	0.352	0.418	0.445	0.418	0.445	0.795	0.795	0.861	0.795	0.861	0.683	0.683	0.721	0.683	0.721	ns
LVC MOS18_S_2	0.352	0.418	0.445	0.418	0.445	0.861	0.862	0.897	0.862	0.897	1.061	1.076	1.098	1.076	1.098	ns
LVC MOS18_S_4	0.352	0.418	0.445	0.418	0.445	0.716	0.716	0.758	0.716	0.758	0.829	0.829	0.872	0.829	0.872	ns
LVC MOS18_S_6	0.352	0.418	0.445	0.418	0.445	0.682	0.682	0.724	0.682	0.724	0.724	0.724	0.762	0.724	0.762	ns
LVC MOS18_S_8	0.352	0.418	0.445	0.418	0.445	0.707	0.707	0.760	0.707	0.760	0.709	0.709	0.745	0.709	0.745	ns
LVDCI_15_F	0.369	0.425	0.462	0.425	0.462	0.407	0.426	0.443	0.426	0.443	0.514	0.548	0.581	0.548	0.581	ns
LVDCI_15_M	0.369	0.425	0.462	0.425	0.462	0.549	0.553	0.582	0.553	0.582	0.632	0.645	0.685	0.645	0.685	ns
LVDCI_15_S	0.369	0.425	0.462	0.425	0.462	0.749	0.749	0.803	0.749	0.803	0.821	0.821	0.890	0.821	0.890	ns
LVDCI_18_F	0.367	0.414	0.447	0.414	0.447	0.422	0.441	0.459	0.441	0.459	0.541	0.560	0.589	0.560	0.589	ns
LVDCI_18_M	0.367	0.414	0.447	0.414	0.447	0.546	0.554	0.585	0.554	0.585	0.622	0.644	0.683	0.644	0.683	ns
LVDCI_18_S	0.367	0.414	0.447	0.414	0.447	0.760	0.760	0.818	0.760	0.818	0.837	0.837	0.899	0.837	0.899	ns
LVDS	0.508	0.539	0.620	0.539	0.620	0.626	0.626	0.662	0.626	0.662	960.447	960.447	960.447	960.447	960.447	ns
MIPI_DPHY_DCI_HS	0.305	0.386	0.415	0.386	0.415	0.489	0.502	0.522	0.502	0.522	N/A	N/A	N/A	N/A	N/A	ns
MIPI_DPHY_DCI_LP	8.438	8.438	8.792	8.438	8.792	0.895	0.914	0.937	0.914	0.937	N/A	N/A	N/A	N/A	N/A	ns
POD10_DCI_F	0.336	0.408	0.430	0.408	0.430	0.407	0.425	0.444	0.425	0.444	0.512	0.555	0.584	0.555	0.584	ns
POD10_DCI_M	0.336	0.408	0.430	0.408	0.430	0.533	0.542	0.571	0.542	0.571	0.618	0.640	0.681	0.640	0.681	ns
POD10_DCI_S	0.336	0.408	0.430	0.408	0.430	0.724	0.754	0.815	0.754	0.815	0.815	0.850	0.917	0.850	0.917	ns
POD10_F	0.336	0.407	0.430	0.407	0.430	0.425	0.438	0.459	0.438	0.459	0.531	0.569	0.601	0.569	0.601	ns
POD10_M	0.336	0.407	0.430	0.407	0.430	0.519	0.538	0.568	0.538	0.568	0.589	0.630	0.667	0.630	0.667	ns
POD10_S	0.336	0.407	0.430	0.407	0.430	0.752	0.766	0.821	0.766	0.821	0.821	0.836	0.894	0.836	0.894	ns
POD12_DCI_F	0.336	0.409	0.431	0.409	0.431	0.411	0.425	0.443	0.425	0.443	0.519	0.558	0.586	0.558	0.586	ns
POD12_DCI_M	0.336	0.409	0.431	0.409	0.431	0.516	0.543	0.572	0.543	0.572	0.602	0.638	0.678	0.638	0.678	ns
POD12_DCI_S	0.336	0.409	0.431	0.409	0.431	0.740	0.772	0.822	0.772	0.822	0.833	0.862	0.929	0.862	0.929	ns
POD12_F	0.336	0.409	0.431	0.409	0.431	0.438	0.455	0.476	0.455	0.476	0.549	0.595	0.626	0.595	0.626	ns
POD12_M	0.336	0.409	0.431	0.409	0.431	0.551	0.551	0.582	0.551	0.582	0.632	0.641	0.679	0.641	0.679	ns
POD12_S	0.336	0.409	0.431	0.409	0.431	0.749	0.767	0.817	0.767	0.817	0.818	0.832	0.889	0.832	0.889	ns
SLVS_400_18	0.492	0.539	0.620	0.539	0.620	N/A	N/A	N/A	N/A	N/A	N/A	N/A	N/A	N/A	N/A	ns
SSTL12_DCI_F	0.331	0.381	0.399	0.381	0.399	0.411	0.425	0.443	0.425	0.443	0.520	0.558	0.586	0.558	0.586	ns
SSTL12_DCI_M	0.331	0.381	0.399	0.381	0.399	0.549	0.557	0.587	0.557	0.587	0.643	0.654	0.694	0.654	0.694	ns
SSTL12_DCI_S	0.331	0.381	0.399	0.381	0.399	0.754	0.754	0.803	0.754	0.803	0.842	0.842	0.908	0.842	0.908	ns
SSTL12_F	0.320	0.403	0.403	0.403	0.403	0.394	0.412	0.430	0.412	0.430	0.494	0.538	0.566	0.538	0.566	ns
SSTL12_M	0.320	0.403	0.403	0.403	0.403	0.550	0.553	0.584	0.553	0.584	0.630	0.641	0.676	0.641	0.676	ns
SSTL12_S	0.320	0.403	0.403	0.403	0.403	0.758	0.758	0.808	0.758	0.808	0.823	0.823	0.879	0.823	0.879	ns
SSTL135_DCI_F	0.341	0.366	0.399	0.366	0.399	0.392	0.411	0.428	0.411	0.428	0.494	0.537	0.565	0.537	0.565	ns
SSTL135_DCI_M	0.341	0.366	0.399	0.366	0.399	0.551	0.551	0.582	0.551	0.582	0.643	0.645	0.685	0.645	0.685	ns

**Table 29: IOB High Performance (HP) Switching Characteristics (Cont'd)**

I/O Standards	T <sub>INBUF_DELAY_PAD_I</sub>					T <sub>OUTBUF_DELAY_O_PAD</sub>					T <sub>OUTBUF_DELAY_TD_PAD</sub>					Units
	0.90V		0.85V		0.72V	0.90V		0.85V		0.72V	0.90V		0.85V		0.72V	
	-3	-2	-1	-2	-1	-3	-2	-1	-2	-1	-3	-2	-1	-2	-1	
SSTL135_DCI_S	0.341	0.366	0.399	0.366	0.399	0.746	0.746	0.799	0.746	0.799	0.829	0.829	0.893	0.829	0.893	ns
SSTL135_F	0.321	0.378	0.399	0.378	0.399	0.393	0.408	0.428	0.408	0.428	0.491	0.528	0.561	0.528	0.561	ns
SSTL135_M	0.321	0.378	0.399	0.378	0.399	0.548	0.555	0.585	0.555	0.585	0.621	0.641	0.679	0.641	0.679	ns
SSTL135_S	0.321	0.378	0.399	0.378	0.399	0.772	0.772	0.823	0.772	0.823	0.827	0.827	0.878	0.827	0.878	ns
SSTL15_DCI_F	0.319	0.402	0.417	0.402	0.417	0.394	0.412	0.429	0.412	0.429	0.497	0.531	0.563	0.531	0.563	ns
SSTL15_DCI_M	0.319	0.402	0.417	0.402	0.417	0.549	0.553	0.583	0.553	0.583	0.632	0.645	0.685	0.645	0.685	ns
SSTL15_DCI_S	0.319	0.402	0.417	0.402	0.417	0.768	0.768	0.822	0.768	0.822	0.847	0.847	0.912	0.847	0.912	ns
SSTL15_F	0.320	0.371	0.400	0.371	0.400	0.393	0.408	0.428	0.408	0.428	0.494	0.530	0.556	0.530	0.556	ns
SSTL15_M	0.320	0.371	0.400	0.371	0.400	0.547	0.554	0.585	0.554	0.585	0.624	0.639	0.677	0.639	0.677	ns
SSTL15_S	0.320	0.371	0.400	0.371	0.400	0.767	0.767	0.817	0.767	0.817	0.813	0.813	0.867	0.813	0.867	ns
SSTL18_I_DCI_F	0.256	0.329	0.336	0.329	0.336	0.422	0.445	0.461	0.445	0.461	0.540	0.566	0.595	0.566	0.595	ns
SSTL18_I_DCI_M	0.256	0.329	0.336	0.329	0.336	0.552	0.554	0.585	0.554	0.585	0.629	0.644	0.683	0.644	0.683	ns
SSTL18_I_DCI_S	0.256	0.329	0.336	0.329	0.336	0.762	0.762	0.818	0.762	0.818	0.837	0.837	0.899	0.837	0.899	ns
SSTL18_I_F	0.259	0.316	0.337	0.316	0.337	0.439	0.454	0.476	0.454	0.476	0.549	0.578	0.608	0.578	0.608	ns
SSTL18_I_M	0.259	0.316	0.337	0.316	0.337	0.567	0.571	0.603	0.571	0.603	0.535	0.652	0.692	0.652	0.692	ns
SSTL18_I_S	0.259	0.316	0.337	0.316	0.337	0.782	0.782	0.835	0.782	0.835	0.816	0.816	0.870	0.816	0.870	ns
SUB_LVDS	0.508	0.539	0.620	0.539	0.620	0.658	0.660	0.692	0.660	0.692	906.048	969.863	969.863	969.863	969.863	ns

## IOB 3-state Output Switching Characteristics

Table 30 specifies the values of  $T_{\text{OUTBUF\_DELAY\_TE\_PAD}}$  and  $T_{\text{INBUF\_DELAY\_IBUFDIS\_O}}$ .

- $T_{\text{OUTBUF\_DELAY\_TE\_PAD}}$  is the delay from the T pin to the IOB pad through the output buffer of an IOB pad, when 3-state is enabled (i.e., a high impedance state).
- $T_{\text{INBUF\_DELAY\_IBUFDIS\_O}}$  is the IOB delay from IBUFDISABLE to O output.
- In HP I/O banks, the internal DCI termination turn-off time is always faster than  $T_{\text{OUTBUF\_DELAY\_TE\_PAD}}$  when the DCITERMDISABLE pin is used.
- In HD I/O banks, the internal IN\_TERM termination turn-off time is always faster than  $T_{\text{OUTBUF\_DELAY\_TE\_PAD}}$  when the INTERMDISABLE pin is used.

Table 30: IOB 3-state Output Switching Characteristics

Symbol	Description	Speed Grade and $V_{\text{CCINT}}$ Operating Voltages					Units
		0.90V	0.85V		0.72V		
		-3	-2	-1	-2	-1	
$T_{\text{OUTBUF\_DELAY\_TE\_PAD}}$	T input to pad high-impedance for HD I/O banks	6.318	6.318	6.369	6.710	6.752	ns
	T input to pad high-impedance for HP I/O banks	5.330	5.330	5.341	5.330	5.341	ns
$T_{\text{INBUF\_DELAY\_IBUFDIS\_O}}$	IBUF turn-on time from IBUFDISABLE to O output for HD I/O banks	2.266	2.266	2.430	2.266	2.430	ns
	IBUF turn-on time from IBUFDISABLE to O output for HP I/O banks	0.873	0.936	1.037	0.936	1.037	ns

## Input Delay Measurement Methodology

Table 31 shows the test setup parameters used for measuring input delay.

Table 31: Input Delay Measurement Methodology

Description	I/O Standard Attribute	$V_L^{(1)(2)}$	$V_H^{(1)(2)}$	$V_{\text{MEAS}}^{(1)(4)(6)}$	$V_{\text{REF}}^{(1)(3)(5)}$
LVC MOS, 1.2V	LVC MOS12	0.1	1.1	0.6	–
LVC MOS, LVDCI, HSLVDCI, 1.5V	LVC MOS15, LVDCI_15, HSLVDCI_15	0.1	1.4	0.75	–
LVC MOS, LVDCI, HSLVDCI, 1.8V	LVC MOS18, LVDCI_18, HSLVDCI_18	0.1	1.7	0.9	–
LVC MOS, 2.5V	LVC MOS25	0.1	2.4	1.25	–
LVC MOS, 3.3V	LVC MOS33	0.1	3.2	1.65	–
LV TTL, 3.3V	LV TTL	0.1	3.2	1.65	–
HSTL (high-speed transceiver logic), class I, 1.2V	HSTL_I_12	$V_{\text{REF}} - 0.25$	$V_{\text{REF}} + 0.25$	$V_{\text{REF}}$	0.6
HSTL, class I, 1.5V	HSTL_I	$V_{\text{REF}} - 0.325$	$V_{\text{REF}} + 0.325$	$V_{\text{REF}}$	0.75

**Table 31: Input Delay Measurement Methodology (Cont'd)**

Description	I/O Standard Attribute	$V_L^{(1)(2)}$	$V_H^{(1)(2)}$	$V_{MEAS}^{(1)(4)(6)}$	$V_{REF}^{(1)(3)(5)}$
HSTL, class I, 1.8V	HSTL_I_18	$V_{REF} - 0.4$	$V_{REF} + 0.4$	$V_{REF}$	0.9
HSUL (high-speed unterminated logic), 1.2V	HSUL_12	$V_{REF} - 0.25$	$V_{REF} + 0.25$	$V_{REF}$	0.6
SSTL12 (stub series terminated logic), 1.2V	SSTL12	$V_{REF} - 0.25$	$V_{REF} + 0.25$	$V_{REF}$	0.6
SSTL135 and SSTL135 class II, 1.35V	SSTL135, SSTL135_II	$V_{REF} - 0.2875$	$V_{REF} + 0.2875$	$V_{REF}$	0.675
SSTL15 and SSTL15 class II, 1.5V	SSTL15, SSTL15_II	$V_{REF} - 0.325$	$V_{REF} + 0.325$	$V_{REF}$	0.75
SSTL18, class I and II, 1.8V	SSTL18_I, SSTL18_II	$V_{REF} - 0.4$	$V_{REF} + 0.4$	$V_{REF}$	0.9
POD10, 1.0V	POD10	$V_{REF} - 0.2$	$V_{REF} + 0.2$	$V_{REF}$	0.7
POD12, 1.2V	POD12	$V_{REF} - 0.24$	$V_{REF} + 0.24$	$V_{REF}$	0.84
DIFF_HSTL, class I, 1.2V	DIFF_HSTL_I_12	$0.6 - 0.25$	$0.6 + 0.25$	$0^{(6)}$	–
DIFF_HSTL, class I, 1.5V	DIFF_HSTL_I	$0.75 - 0.325$	$0.75 + 0.325$	$0^{(6)}$	–
DIFF_HSTL, class I, 1.8V	DIFF_HSTL_I_18	$0.9 - 0.4$	$0.9 + 0.4$	$0^{(6)}$	–
DIFF_HSUL, 1.2V	DIFF_HSUL_12	$0.6 - 0.25$	$0.6 + 0.25$	$0^{(6)}$	–
DIFF_SSTL, 1.2V	DIFF_SSTL12	$0.6 - 0.25$	$0.6 + 0.25$	$0^{(6)}$	–
DIFF_SSTL135 and DIFF_SSTL135 class II, 1.35V	DIFF_SSTL135, DIFF_SSTL135_II	$0.675 - 0.2875$	$0.675 + 0.2875$	$0^{(6)}$	–
DIFF_SSTL15 and DIFF_SSTL15 class II, 1.5V	DIFF_SSTL15, DIFF_SSTL15_II	$0.75 - 0.325$	$0.75 + 0.325$	$0^{(6)}$	–
DIFF_SSTL18_I, DIFF_SSTL18_II, 1.8V	DIFF_SSTL18_I, DIFF_SSTL18_II	$0.9 - 0.4$	$0.9 + 0.4$	$0^{(6)}$	–
DIFF_POD10, 1.0V	DIFF_POD10	$0.5 - 0.2$	$0.5 + 0.2$	$0^{(6)}$	–
DIFF_POD12, 1.2V	DIFF_POD12	$0.6 - 0.25$	$0.6 + 0.25$	$0^{(6)}$	–
LVDS (low-voltage differential signaling), 1.8V	LVDS	$0.9 - 0.125$	$0.9 + 0.125$	$0^{(6)}$	–
LVDS_25, 2.5V	LVDS_25	$1.25 - 0.125$	$1.25 + 0.125$	$0^{(6)}$	–
SUB_LVDS, 1.8V	SUB_LVDS	$0.9 - 0.125$	$0.9 + 0.125$	$0^{(6)}$	–
SLVS, 1.8V	SLVS_400_18	$0.9 - 0.125$	$0.9 + 0.125$	$0^{(6)}$	–
SLVS, 2.5V	SLVS_400_25	$1.25 - 0.125$	$1.25 + 0.125$	$0^{(6)}$	–
LVPECL, 2.5V	LVPECL	$1.25 - 0.125$	$1.25 + 0.125$	$0^{(6)}$	–
MIPI D-PHY (high speed) 1.2V	MIPI_DPHY_DCI_HS	$0.2 - 0.125$	$0.2 + 0.125$	$0^{(6)}$	–
MIPI D-PHY (low power) 1.2V	MIPI_DPHY_DCI_LP	$0.715 - 0.2$	$0.715 + 0.2$	$0^{(6)}$	–

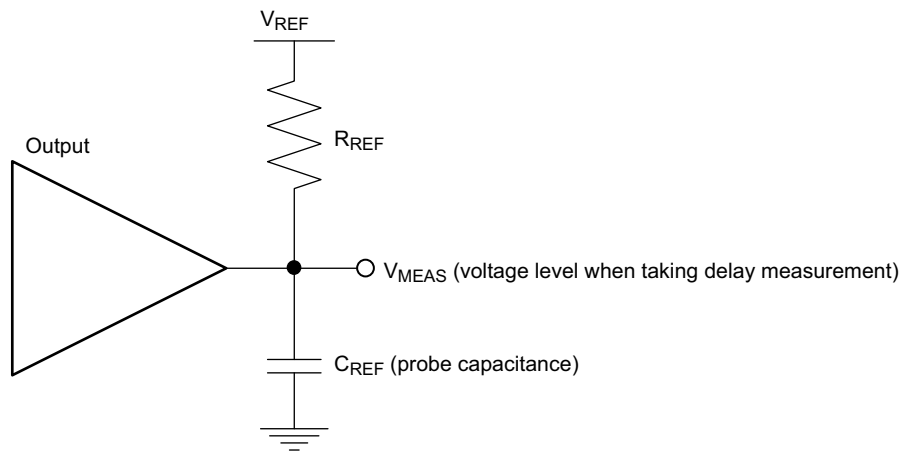
**Notes:**

1. The input delay measurement methodology parameters for LVDCI/HSLVDCI are the same for LVCMOS standards of the same voltage. Parameters for all other DCI standards are the same for the corresponding non-DCI standards.
2. Input waveform switches between  $V_L$  and  $V_H$ .
3. Measurements are made at typical, minimum, and maximum  $V_{REF}$  values. Reported delays reflect worst case of these measurements.  $V_{REF}$  values listed are typical.
4. Input voltage level from which measurement starts.
5. This is an input voltage reference that bears no relation to the  $V_{REF}/V_{MEAS}$  parameters found in IBIS models and/or noted in [Figure 1](#).
6. The value given is the differential input voltage.



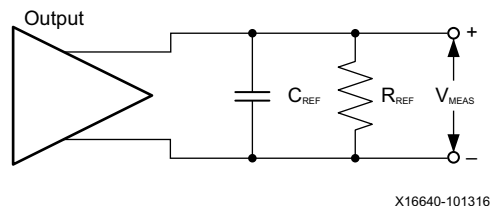
## Output Delay Measurement Methodology

Output delays are measured with short output traces. Standard termination was used for all testing. The propagation delay of the trace is characterized separately and subtracted from the final measurement, and is therefore not included in the generalized test setups shown in [Figure 1](#) and [Figure 2](#).



X16654-101316

Figure 1: Single-Ended Test Setup



X16640-101316

Figure 2: Differential Test Setup

Parameters  $V_{REF}$ ,  $R_{REF}$ ,  $C_{REF}$ , and  $V_{MEAS}$  fully describe the test conditions for each I/O standard. The most accurate prediction of propagation delay in any given application can be obtained through IBIS simulation, using this method:

1. Simulate the output driver of choice into the generalized test setup using values from [Table 32](#).
2. Record the time to  $V_{MEAS}$ .
3. Simulate the output driver of choice into the actual PCB trace and load using the appropriate IBIS model or capacitance value to represent the load.
4. Record the time to  $V_{MEAS}$ .
5. Compare the results of [step 2](#) and [step 4](#). The increase or decrease in delay yields the actual propagation delay of the PCB trace.



Table 32: Output Delay Measurement Methodology

Description	I/O Standard Attribute	R <sub>REF</sub> (Ω)	C <sub>REF</sub> <sup>(1)</sup> (pF)	V <sub>MEAS</sub> (V)	V <sub>REF</sub> (V)
LVC MOS, 1.2V	LVC MOS12	1M	0	0.6	0
LVC MOS, 1.5V	LVC MOS15	1M	0	0.75	0
LVC MOS, 1.8V	LVC MOS18	1M	0	0.9	0
LVC MOS, 2.5V	LVC MOS25	1M	0	1.25	0
LVC MOS, 3.3V	LVC MOS33	1M	0	1.65	0
LVTTL, 3.3V	LVTTL	1M	0	1.65	0
LVDCI, HSLVDCI, 1.5V	LVDCI_15, HSLVDCI_15	50	0	V <sub>REF</sub>	0.75
LVDCI, HSLVDCI, 1.8V	LVDCI_15, HSLVDCI_18	50	0	V <sub>REF</sub>	0.9
HSTL (high-speed transceiver logic), class I, 1.2V	HSTL_I_12	50	0	V <sub>REF</sub>	0.6
HSTL, class I, 1.5V	HSTL_I	50	0	V <sub>REF</sub>	0.75
HSTL, class I, 1.8V	HSTL_I_18	50	0	V <sub>REF</sub>	0.9
HSUL (high-speed unterminated logic), 1.2V	HSUL_12	50	0	V <sub>REF</sub>	0.6
SSTL12 (stub series terminated logic), 1.2V	SSTL12	50	0	V <sub>REF</sub>	0.6
SSTL135 and SSTL135 class II, 1.35V	SSTL135, SSTL135_II	50	0	V <sub>REF</sub>	0.675
SSTL15 and SSTL15 class II, 1.5V	SSTL15, SSTL15_II	50	0	V <sub>REF</sub>	0.75
SSTL18, class I and class II, 1.8V	SSTL18_I, SSTL18_II	50	0	V <sub>REF</sub>	0.9
POD10, 1.0V	POD10	50	0	V <sub>REF</sub>	1.0
POD12, 1.2V	POD12	50	0	V <sub>REF</sub>	1.2
DIFF_HSTL, class I, 1.2V	DIFF_HSTL_I_12	50	0	V <sub>REF</sub>	0.6
DIFF_HSTL, class I, 1.5V	DIFF_HSTL_I	50	0	V <sub>REF</sub>	0.75
DIFF_HSTL, class I, 1.8V	DIFF_HSTL_I_18	50	0	V <sub>REF</sub>	0.9
DIFF_HSUL, 1.2V	DIFF_HSUL_12	50	0	V <sub>REF</sub>	0.6
DIFF_SSTL12, 1.2V	DIFF_SSTL12	50	0	V <sub>REF</sub>	0.6
DIFF_SSTL135 and DIFF_SSTL135 class II, 1.35V	DIFF_SSTL135, DIFF_SSTL135_II	50	0	V <sub>REF</sub>	0.675
DIFF_SSTL15 and DIFF_SSTL15 class II, 1.5V	DIFF_SSTL15, DIFF_SSTL15_II	50	0	V <sub>REF</sub>	0.75
DIFF_SSTL18, class I and II, 1.8V	DIFF_SSTL18_I, DIFF_SSTL18_II	50	0	V <sub>REF</sub>	0.9
DIFF_POD10, 1.0V	DIFF_POD10	50	0	V <sub>REF</sub>	1.0
DIFF_POD12, 1.2V	DIFF_POD12	50	0	V <sub>REF</sub>	1.2
LVDS (low-voltage differential signaling), 1.8V	LVDS	100	0	0 <sup>(2)</sup>	0
SUB_LVDS, 1.8V	SUB_LVDS	100	0	0 <sup>(2)</sup>	0
MIPI D-PHY (high speed) 1.2V	MIPI_DPHY_DCI_HS	100	0	0 <sup>(2)</sup>	0
MIPI D-PHY (low power) 1.2V	MIPI_DPHY_DCI_LP	1M	0	0.6	0

**Notes:**

1. C<sub>REF</sub> is the capacitance of the probe, nominally 0 pF.
2. The value given is the differential output voltage.

## Block RAM and FIFO Switching Characteristics

Table 33: Block RAM and FIFO Switching Characteristics

Symbol	Description	Speed Grade and V <sub>CCINT</sub> Operating Voltages					Units
		0.90V	0.85V		0.72V		
		-3	-2	-1	-2	-1	
<b>Maximum Frequency</b>							
F <sub>MAX_WF_NC</sub>	Block RAM (WRITE_FIRST and NO_CHANGE modes).	825	738	645	585	516	MHz
F <sub>MAX_RF</sub>	Block RAM (READ_FIRST mode).	718	637	575	510	460	MHz
F <sub>MAX_FIFO</sub>	FIFO in all modes without ECC.	825	738	645	585	516	MHz
F <sub>MAX_ECC</sub>	Block RAM and FIFO in ECC configuration without PIPELINE.	718	637	575	510	460	MHz
	Block RAM and FIFO in ECC configuration with PIPELINE and Block RAM in WRITE_FIRST or NO_CHANGE mode.	825	738	645	585	516	MHz
T <sub>PW</sub> <sup>(1)</sup>	Minimum pulse width.	495	542	543	577	578	ps
<b>Block RAM and FIFO Clock-to-Out Delays</b>							
T <sub>RCKO_DO</sub>	Clock CLK to DOUT output (without output register).	0.91	1.02	1.11	1.46	1.53	ns, Max
T <sub>RCKO_DO_REG</sub>	Clock CLK to DOUT output (with output register).	0.27	0.29	0.30	0.42	0.44	ns, Max

**Notes:**

1. The MMCM and PLL DUTY\_CYCLE attribute should be set to 50% to meet the pulse-width requirements at the higher frequencies.

## UltraRAM Switching Characteristics

The *UltraScale Architecture and Product Overview* ([DS890](#)) lists the Kintex UltraScale+ FPGAs that include this memory.

Table 34: UltraRAM Switching Characteristics

Symbol	Description	Speed Grade and V <sub>CCINT</sub> Operating Voltages					Units
		0.90V	0.85V		0.72V		
		-3	-2	-1	-2	-1	
<b>Maximum Frequency</b>							
F <sub>MAX</sub>	UltraRAM maximum frequency with OREG_B = True.	650	600	575	500	481	MHz
F <sub>MAX_ECC_NOPIPELINE</sub>	UltraRAM maximum frequency with OREG_B = False and EN_ECC_RD_B = True.	435	400	386	312	303	MHz
F <sub>MAX_NOPIPELINE</sub>	UltraRAM maximum frequency with OREG_B = False and EN_ECC_RD_B = False.	528	500	478	404	389	MHz
T <sub>PW</sub> <sup>(1)</sup>	Minimum pulse width.	650	700	730	800	832	ps
T <sub>RSTPW</sub>	Asynchronous reset minimum pulse width. One cycle required.	1 clock cycle					

**Notes:**

- The MMCM and PLL DUTY\_CYCLE attribute should be set to 50% to meet the pulse-width requirements at the higher frequencies.

## Input/Output Delay Switching Characteristics

Table 35: Input/Output Delay Switching Characteristics

Symbol	Description	Speed Grade and V <sub>CCINT</sub> Operating Voltages					Units
		0.90V	0.85V		0.72V		
		-3	-2	-1	-2	-1	
F <sub>REFCLK</sub>	REFCLK frequency for IDELAYCTRL (component mode).	300 to 800					MHz
	REFCLK frequency for BITSlice_CONTROL (native mode).	300 to 2666.67	300 to 2666.67	300 to 2400	300 to 2400	300 to 2133	MHz
T <sub>MINPER_CLK</sub>	Minimum period for IODELAY clock.	3.195	3.195	3.195	3.195	3.195	ns
T <sub>MINPER_RST</sub>	Minimum reset pulse width.	52.00					ns
T <sub>IDELAY_RESOLUTION</sub> / T <sub>ODELAY_RESOLUTION</sub>	IDELAY/ODELAY chain resolution.	2.1 to 12					ps

**Notes:**

- PLL settings could restrict the minimum allowable data rate. For example, when using a PLL with CLKOUTPHY = VCO\_HALF, the minimum frequency is PLL\_FVCOMIN/2.

## DSP48 Slice Switching Characteristics

Table 36: DSP48 Slice Switching Characteristics

Symbol	Description	Speed Grade and V <sub>CCINT</sub> Operating Voltages					Units
		0.90V		0.85V		0.72V <sup>(1)</sup>	
		-3	-2	-1	-2	-1	
<b>Maximum Frequency</b>							
F <sub>MAX</sub>	With all registers used.	891	775	645	644	600	MHz
F <sub>MAX_PATDET</sub>	With pattern detector.	794	687	571	562	524	MHz
F <sub>MAX_MULT_NOMREG</sub>	Two register multiply without MREG.	635	544	456	440	413	MHz
F <sub>MAX_MULT_NOMREG_PATDET</sub>	Two register multiply without MREG with pattern detect.	577	492	410	395	371	MHz
F <sub>MAX_PREADD_NOADREG</sub>	Without ADREG.	655	565	468	453	423	MHz
F <sub>MAX_NOPIPELINEREG</sub>	Without pipeline registers (MREG, ADREG).	483	410	338	323	304	MHz
F <sub>MAX_NOPIPELINEREG_PATDET</sub>	Without pipeline registers (MREG, ADREG) with pattern detect.	448	379	314	299	280	MHz

**Notes:**

- For devices operating at the lower power V<sub>CCINT</sub> = 0.72V voltages, DSP cascades that cross clock region boundaries might operate below the specified F<sub>MAX</sub>.

## Clock Buffers and Networks

Table 37: Clock Buffers Switching Characteristics

Symbol	Description	Speed Grade and V <sub>CCINT</sub> Operating Voltages					Units
		0.90V		0.85V		0.72V	
		-3	-2	-1	-2	-1	
<b>Global Clock Switching Characteristics (Including BUFGCTRL)</b>							
F <sub>MAX</sub>	Maximum frequency of a global clock tree (BUFG).	891	775	667	725	667	MHz
<b>Global Clock Buffer with Input Divide Capability (BUFGCE_DIV)</b>							
F <sub>MAX</sub>	Maximum frequency of a global clock buffer with input divide capability (BUFGCE_DIV).	891	775	667	725	667	MHz
<b>Global Clock Buffer with Clock Enable (BUFGCE)</b>							
F <sub>MAX</sub>	Maximum frequency of a global clock buffer with clock enable (BUFGCE).	891	775	667	725	667	MHz
<b>Leaf Clock Buffer with Clock Enable (BUFCE_LEAF)</b>							
F <sub>MAX</sub>	Maximum frequency of a leaf clock buffer with clock enable (BUFCE_LEAF).	891	775	667	725	667	MHz
<b>GTH or GTY Clock Buffer with Clock Enable and Clock Input Divide Capability (BUFG_GT)</b>							
F <sub>MAX</sub>	Maximum frequency of a serial transceiver clock buffer with clock enable and clock input divide capability.	512	512	512	512	512	MHz

## MMCM Switching Characteristics

Table 38: MMCM Specification

Symbol	Description	Speed Grade and V <sub>CCINT</sub> Operating Voltages					Units
		0.90V	0.85V		0.72V		
		-3	-2	-1	-2	-1	
MMCM_F <sub>INMAX</sub>	Maximum input clock frequency.	1066	933	800	933	800	MHz
MMCM_F <sub>INMIN</sub>	Minimum input clock frequency.	10	10	10	10	10	MHz
MMCM_F <sub>INJITTER</sub>	Maximum input clock period jitter.	< 20% of clock input period or 1 ns Max					
MMCM_F <sub>INDUTY</sub>	Input duty cycle range: 10–49 MHz.	25–75					%
	Input duty cycle range: 50–199 MHz.	30–70					%
	Input duty cycle range: 200–399 MHz.	35–65					%
	Input duty cycle range: 400–499 MHz.	40–60					%
	Input duty cycle range: >500 MHz.	45–55					%
MMCM_F <sub>MIN_PSCLK</sub>	Minimum dynamic phase shift clock frequency.	0.01	0.01	0.01	0.01	0.01	MHz
MMCM_F <sub>MAX_PSCLK</sub>	Maximum dynamic phase shift clock frequency.	550	500	450	500	450	MHz
MMCM_F <sub>VCOMIN</sub>	Minimum MMCM VCO frequency.	800	800	800	800	800	MHz
MMCM_F <sub>VCOMAX</sub>	Maximum MMCM VCO frequency.	1600	1600	1600	1600	1600	MHz
MMCM_F <sub>BANDWIDTH</sub>	Low MMCM bandwidth at typical. <sup>(1)</sup>	1.00	1.00	1.00	1.00	1.00	MHz
	High MMCM bandwidth at typical. <sup>(1)</sup>	4.00	4.00	4.00	4.00	4.00	MHz
MMCM_T <sub>STATPHAOFFSET</sub>	Static phase offset of the MMCM outputs. <sup>(2)</sup>	0.12	0.12	0.12	0.12	0.12	ns
MMCM_T <sub>OUTJITTER</sub>	MMCM output jitter.	Note 3					
MMCM_T <sub>OUTDUTY</sub>	MMCM output clock duty cycle precision. <sup>(4)</sup>	0.165	0.20	0.20	0.20	0.20	ns
MMCM_T <sub>LOCKMAX</sub>	MMCM maximum lock time for MMCM_F <sub>PFDMIN</sub> .	100	100	100	100	100	μs
MMCM_F <sub>OUTMAX</sub>	MMCM maximum output frequency.	891	775	667	725	667	MHz
MMCM_F <sub>OUTMIN</sub>	MMCM minimum output frequency. <sup>(4)(5)</sup>	6.25	6.25	6.25	6.25	6.25	MHz
MMCM_T <sub>EXTFDVAR</sub>	External clock feedback variation.	< 20% of clock input period or 1 ns Max					
MMCM_RST <sub>MINPULSE</sub>	Minimum reset pulse width.	5.00	5.00	5.00	5.00	5.00	ns
MMCM_F <sub>PFDMAX</sub>	Maximum frequency at the phase frequency detector.	550	500	450	500	450	MHz
MMCM_F <sub>PFDMIN</sub>	Minimum frequency at the phase frequency detector.	10	10	10	10	10	MHz
MMCM_T <sub>FBDELAY</sub>	Maximum delay in the feedback path.	5 ns Max or one clock cycle					
MMCM_F <sub>DPRCLK_MAX</sub>	Maximum DRP clock frequency.	250	250	250	250	250	MHz

### Notes:

1. The MMCM does not filter typical spread-spectrum input clocks because they are usually far below the bandwidth filter frequencies.
2. The static offset is measured between any MMCM outputs with identical phase.
3. Values for this parameter are available in the Clocking Wizard.
4. Includes global clock buffer.
5. Calculated as F<sub>VCO</sub>/128 assuming output duty cycle is 50%.

## PLL Switching Characteristics

 Table 39: PLL Specification<sup>(1)</sup>

Symbol	Description	Speed Grade and V <sub>CCINT</sub> Operating Voltages					Units
		0.90V		0.85V		0.72V	
		-3	-2	-1	-2	-1	
PLL_F <sub>INMAX</sub>	Maximum input clock frequency.	1066	933	800	933	800	MHz
PLL_F <sub>INMIN</sub>	Minimum input clock frequency.	70	70	70	70	70	MHz
PLL_F <sub>INJITTER</sub>	Maximum input clock period jitter.	< 20% of clock input period or 1 ns Max					
PLL_F <sub>INDUTY</sub>	Input duty cycle range: 70–399 MHz.	35–65					%
	Input duty cycle range: 400–499 MHz.	40–60					%
	Input duty cycle range: >500 MHz.	45–55					%
PLL_F <sub>VCOMIN</sub>	Minimum PLL VCO frequency.	750	750	750	750	750	MHz
PLL_F <sub>VCOMAX</sub>	Maximum PLL VCO frequency.	1500	1500	1500	1500	1500	MHz
PLL_T <sub>STATPHAOFFSET</sub>	Static phase offset of the PLL outputs. <sup>(2)</sup>	0.12	0.12	0.12	0.12	0.12	ns
PLL_T <sub>OUTJITTER</sub>	PLL output jitter.	Note 3					
PLL_T <sub>OUTDUTY</sub>	PLL CLKOUT0, CLKOUT0B, CLKOUT1, CLKOUT1B duty-cycle precision. <sup>(4)</sup>	0.165	0.20	0.20	0.20	0.20	ns
PLL_T <sub>LOCKMAX</sub>	PLL maximum lock time.	100					µs
PLL_F <sub>OUTMAX</sub>	PLL maximum output frequency at CLKOUT0, CLKOUT0B, CLKOUT1, CLKOUT1B.	891	775	667	725	667	MHz
	PLL maximum output frequency at CLKOUTPHY.	2667	2667	2400	2400	2133	MHz
PLL_F <sub>OUTMIN</sub>	PLL minimum output frequency at CLKOUT0, CLKOUT0B, CLKOUT1, CLKOUT1B. <sup>(5)</sup>	5.86	5.86	5.86	5.86	5.86	MHz
	PLL minimum output frequency at CLKOUTPHY.	2 x VCO mode: 1500, 1 x VCO mode: 750 0.5 x VCO mode: 375					MHz
PLL_RST <sub>MINPULSE</sub>	Minimum reset pulse width.	5.00	5.00	5.00	5.00	5.00	ns
PLL_F <sub>PFDMAX</sub>	Maximum frequency at the phase frequency detector.	667.5	667.5	667.5	667.5	667.5	MHz
PLL_F <sub>PFDMIN</sub>	Minimum frequency at the phase frequency detector.	70	70	70	70	70	MHz
PLL_F <sub>BANDWIDTH</sub>	PLL bandwidth at typical.	14	14	14	14	14	MHz
PLL_F <sub>DPRCLK_MAX</sub>	Maximum DRP clock frequency	250	250	250	250	250	MHz

### Notes:

1. The PLL does not filter typical spread-spectrum input clocks because they are usually far below the loop filter frequencies.
2. The static offset is measured between any PLL outputs with identical phase.
3. Values for this parameter are available in the Clocking Wizard.
4. Includes global clock buffer.
5. Calculated as  $F_{VCO}/128$  assuming output duty cycle is 50%.

## Device Pin-to-Pin Output Parameter Guidelines

The pin-to-pin numbers in [Table 40](#) through [Table 42](#) are based on the clock root placement in the center of the device. The actual pin-to-pin values will vary if the root placement selected is different. Consult the Vivado Design Suite timing report for the actual pin-to-pin values.

**Table 40: Global Clock Input to Output Delay Without MMCM (Near Clock Region)**

Symbol	Description	Device	Speed Grade and V <sub>CCINT</sub> Operating Voltages					Units
			0.90V	0.85V		0.72V		
			-3	-2	-1	-2	-1	
<b>SSTL15 Global Clock Input to Output Delay using Output Flip-Flop, Fast Slew Rate, without MMCM.</b>								
T <sub>ICKOF</sub>	Global clock input and output flip-flop <i>without</i> MMCM (near clock region).	XCKU3P	4.30	5.09	5.48	6.45	6.88	ns
		XCKU5P	4.30	5.09	5.48	6.45	6.88	ns
		XCKU9P	5.00	5.91	6.35	7.61	8.08	ns
		XCKU11P	5.82	6.96	7.61	8.01	9.35	ns
		XCKU13P	5.15	6.09	6.55	7.89	8.39	ns
		XCKU15P	5.72	6.90	7.40	8.82	9.37	ns

**Notes:**

- This table lists representative values where one global clock input drives one vertical clock line in each accessible column, and where all accessible I/O and CLB flip-flops are clocked by the global clock net.

**Table 41: Global Clock Input to Output Delay Without MMCM (Far Clock Region)**

Symbol	Description	Device	Speed Grade and V <sub>CCINT</sub> Operating Voltages					Units
			0.90V	0.85V		0.72V		
			-3	-2	-1	-2	-1	
<b>SSTL15 Global Clock Input to Output Delay using Output Flip-Flop, Fast Slew Rate, without MMCM.</b>								
T <sub>ICKOF_FAR</sub>	Global clock input and output flip-flop <i>without</i> MMCM (far clock region).	XCKU3P	4.46	5.30	5.70	6.74	7.19	ns
		XCKU5P	4.46	5.30	5.70	6.74	7.19	ns
		XCKU9P	5.38	6.49	6.97	8.29	8.81	ns
		XCKU11P	6.18	7.41	8.11	8.47	9.98	ns
		XCKU13P	5.38	6.49	6.96	8.30	8.83	ns
		XCKU15P	6.21	7.53	8.07	9.67	10.28	ns

**Notes:**

- This table lists representative values where one global clock input drives one vertical clock line in each accessible column, and where all accessible I/O and CLB flip-flops are clocked by the global clock net.

Table 42: Global Clock Input to Output Delay With MMCM

Symbol	Description	Device	Speed Grade and V <sub>CCINT</sub> Operating Voltages					Units
			0.90V	0.85V		0.72V		
			-3	-2	-1	-2	-1	
<b>SSTL15 Global Clock Input to Output Delay using Output Flip-Flop, Fast Slew Rate, with MMCM.</b>								
T <sub>ICKOFMMCMCC</sub>	Global clock input and output flip-flop <i>with</i> MMCM.	XCKU3P	1.98	1.98	2.17	2.67	2.81	ns
		XCKU5P	1.98	1.98	2.17	2.67	2.81	ns
		XCKU9P	2.15	2.15	2.36	2.89	3.04	ns
		XCKU11P	2.64	2.64	2.96	3.31	3.71	ns
		XCKU13P	2.18	2.18	2.38	2.93	3.08	ns
		XCKU15P	2.44	2.44	2.66	3.26	3.41	ns

**Notes:**

1. This table lists representative values where one global clock input drives one vertical clock line in each accessible column, and where all accessible I/O and CLB flip-flops are clocked by the global clock net.
2. MMCM output jitter is already included in the timing calculation.



## Device Pin-to-Pin Input Parameter Guidelines

The pin-to-pin numbers in [Table 43](#) and [Table 44](#) are based on the clock root placement in the center of the device. The actual pin-to-pin values will vary if the root placement selected is different. Consult the Vivado Design Suite timing report for the actual pin-to-pin values.

*Table 43: Global Clock Input Setup and Hold With 3.3V HD I/O without MMCM*

Symbol	Description	Device	Speed Grade and V <sub>CCINT</sub> Operating Voltages					Units	
			0.90V	0.85V		0.72V			
			-3	-2	-1	-2	-1		
<b>Input Setup and Hold Time Relative to Global Clock Input Signal using SSTL15 Standard. <sup>(1)(2)(3)</sup></b>									
T <sub>PSFD_KU3P</sub>	Global clock input and input flip-flop (or latch) without MMCM.	Setup	XCKU3P	1.40	2.28	2.38	3.54	3.84	ns
T <sub>PHFD_KU3P</sub>		Hold		-0.36	-0.36	-0.36	-1.01	-1.01	ns
T <sub>PSFD_KU5P</sub>		Setup	XCKU5P	1.40	2.28	2.38	3.54	3.84	ns
T <sub>PHFD_KU5P</sub>		Hold		-0.36	-0.36	-0.36	-1.01	-1.01	ns
T <sub>PSFD_KU9P</sub>		Setup	XCKU9P	0.96	1.79	1.86	2.81	3.07	ns
T <sub>PHFD_KU9P</sub>		Hold		-0.05	-0.05	-0.05	-0.58	-0.58	ns
T <sub>PSFD_KU11P</sub>		Setup	XCKU11P	1.28	2.01	2.07	3.58	3.56	ns
T <sub>PHFD_KU11P</sub>		Hold		-0.29	-0.29	-0.29	-0.98	-0.98	ns
T <sub>PSFD_KU13P</sub>		Setup	XCKU13P	0.96	1.79	1.85	2.81	3.06	ns
T <sub>PHFD_KU13P</sub>		Hold		-0.04	-0.04	-0.04	-0.57	-0.57	ns
T <sub>PSFD_KU15P</sub>		Setup	XCKU15P	1.41	2.29	2.38	3.55	3.85	ns
T <sub>PHFD_KU15P</sub>		Hold		-0.38	-0.38	-0.38	-1.05	-1.05	ns

### Notes:

1. Setup and hold times are measured over worst case conditions (process, voltage, temperature). Setup time is measured relative to the global clock input signal using the slowest process, slowest temperature, and slowest voltage. Hold time is measured relative to the global clock input signal using the fastest process, fastest temperature, and fastest voltage.
2. This table lists representative values where one global clock input drives one vertical clock line in each accessible column, and where all accessible I/O and CLB flip-flops are clocked by the global clock net.
3. Use IBIS to determine any duty-cycle distortion incurred using various standards.

Table 44: Global Clock Input Setup and Hold With MMCM

Symbol	Description	Device	Speed Grade and V <sub>CCINT</sub> Operating Voltages					Units	
			0.90V	0.85V		0.72V			
			-3	-2	-1	-2	-1		
<b>Input Setup and Hold Time Relative to Global Clock Input Signal using SSTL15 Standard. (1)(2)(3)</b>									
T <sub>PSMMCMCC_KU3P</sub>	Global clock input and input flip-flop (or latch) with MMCM.	Setup	XCKU3P	1.99	2.04	2.16	2.04	2.16	ns
T <sub>PHMMCMCC_KU3P</sub>		Hold	XCKU3P	-0.17	-0.17	-0.17	-0.17	-0.17	ns
T <sub>PSMMCMCC_KU5P</sub>		Setup	XCKU5P	1.99	2.04	2.16	2.04	2.16	ns
T <sub>PHMMCMCC_KU5P</sub>		Hold	XCKU5P	-0.17	-0.17	-0.17	-0.17	-0.17	ns
T <sub>PSMMCMCC_KU9P</sub>		Setup	XCKU9P	1.94	2.00	2.12	2.00	2.12	ns
T <sub>PHMMCMCC_KU9P</sub>		Hold	XCKU9P	-0.11	-0.11	-0.11	-0.11	-0.11	ns
T <sub>PSMMCMCC_KU11P</sub>		Setup	XCKU11P	2.08	2.08	2.23	2.08	2.23	ns
T <sub>PHMMCMCC_KU11P</sub>		Hold	XCKU11P	-0.05	-0.05	0.04	-0.18	0.14	ns
T <sub>PSMMCMCC_KU13P</sub>		Setup	XCKU13P	1.93	1.99	2.12	1.99	2.12	ns
T <sub>PHMMCMCC_KU13P</sub>		Hold	XCKU13P	-0.10	-0.10	-0.10	-0.20	-0.20	ns
T <sub>PSMMCMCC_KU15P</sub>		Setup	XCKU15P	1.89	1.89	2.03	1.89	2.03	ns
T <sub>PHMMCMCC_KU15P</sub>		Hold	XCKU15P	-0.16	-0.16	-0.16	-0.19	-0.24	ns

**Notes:**

1. Setup and hold times are measured over worst case conditions (process, voltage, temperature). Setup time is measured relative to the global clock input signal using the slowest process, slowest temperature, and slowest voltage. Hold time is measured relative to the global clock input signal using the fastest process, fastest temperature, and fastest voltage.
2. This table lists representative values where one global clock input drives one vertical clock line in each accessible column, and where all accessible I/O and CLB flip-flops are clocked by the global clock net.
3. Use IBIS to determine any duty-cycle distortion incurred using various standards.

Table 45: Sampling Window

Description	Speed Grade and V <sub>CCINT</sub> Operating Voltages					Units
	0.90V	0.85V		0.72V		
	-3	-2	-1	-2	-1	
T <sub>SAMP_BUF</sub> <sup>(1)</sup>	510	610	610	610	610	ps
T <sub>SAMP_NATIVE_DPA</sub>	100	100	125	125	150	ps
T <sub>SAMP_NATIVE_BISC</sub>	60	60	85	85	110	ps

**Notes:**

1. This parameter indicates the total sampling error of the Kintex UltraScale+ FPGA DDR input registers, measured across voltage, temperature, and process. The characterization methodology uses the MMCM to capture the DDR input registers' edges of operation. These measurements include: CLK0 MMCM jitter, MMCM accuracy (phase offset), and MMCM phase shift resolution. These measurements do not include package or clock tree skew.

## Package Parameter Guidelines

The parameters in this section provide the necessary values for calculating timing budgets for clock transmitter and receiver data-valid windows.

Table 46: Package Skew

Symbol	Description	Device	Package	Value	Units
PKGSKEW	Package Skew	XCKU3P	SFVB784	75	ps
			FFVA676	136	ps
			FFVB676	69	ps
			FFVD900	179	ps
		XCKU5P	SFVB784	75	ps
			FFVA676	136	ps
			FFVB676	69	ps
			FFVD900	179	ps
		XCKU9P	FFVE900	212	ps
		XCKU11P	FFVD900		ps
			FFVA1156		ps
			FFVE1517		ps
		XCKU13P	FFVE900	197	ps
		XCKU15P	FFVA1156	203	ps
			FFVE1517	167	ps
			FFVA1760	191	ps
FFVE1760	172		ps		

### Notes:

1. These values represent the worst-case skew between any two SelectIO resources in the package: shortest delay to longest delay from die pad to ball.
2. Package delay information is available for these device/package combinations. This information can be used to deskew the package.

# GTH Transceiver Specifications

The *UltraScale Architecture and Product Overview* ([DS890](#)) lists the Kintex UltraScale+ FPGAs that include the GTH transceivers.

## GTH Transceiver DC Input and Output Levels

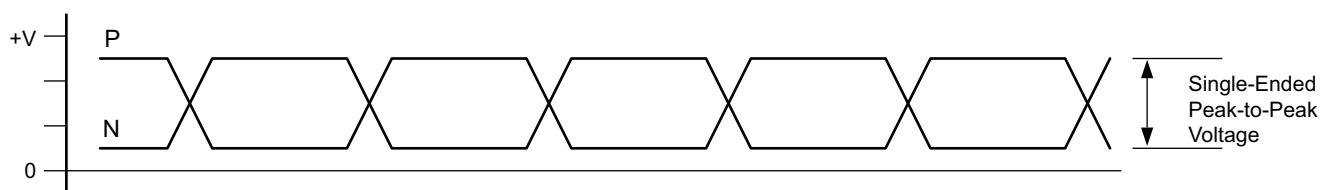
[Table 47](#) summarizes the DC specifications of the GTH transceivers in the Kintex UltraScale+ FPGAs. Consult the *UltraScale Architecture GTH Transceiver User Guide* ([UG576](#)) for further information.

Table 47: GTH Transceiver DC Specifications

Symbol	DC Parameter	Conditions	Min	Typ	Max	Units
DV <sub>PPIN</sub>	Differential peak-to-peak input voltage (external AC coupled).	> 10.3125 Gb/s	150	–	1250	mV
		6.6 Gb/s to 10.3125 Gb/s	150	–	1250	mV
		≤ 6.6 Gb/s	150	–	2000	mV
V <sub>IN</sub>	Single-ended input voltage. Voltage measured at the pin referenced to GND.	DC coupled V <sub>MGTAVTT</sub> = 1.2V	–400	–	V <sub>MGTAVTT</sub>	mV
V <sub>CMIN</sub>	Common mode input voltage.	DC coupled V <sub>MGTAVTT</sub> = 1.2V	–	2/3 V <sub>MGTAVTT</sub>	–	mV
D <sub>VPPOUT</sub>	Differential peak-to-peak output voltage. <sup>(1)</sup>	Transmitter output swing is set to 11111	800	–	–	mV
V <sub>CMOUTDC</sub>	Common mode output voltage: DC coupled (equation based).	When remote RX is terminated to GND	$V_{MGTAVTT}/2 - D_{VPPOUT}/4$			mV
		When remote RX termination is floating	$V_{MGTAVTT} - D_{VPPOUT}/2$			mV
		When remote RX is terminated to V <sub>RX_TERM</sub> <sup>(2)</sup>	$V_{MGTAVTT} - \frac{D_{VPPOUT}}{4} - \left(\frac{V_{MGTAVTT} - V_{RX\_TERM}}{2}\right)$			mV
V <sub>CMOUTAC</sub>	Common mode output voltage: AC coupled (equation based).		$V_{MGTAVTT} - D_{VPPOUT}/2$			mV
R <sub>IN</sub>	Differential input resistance.		–	100	–	Ω
R <sub>OUT</sub>	Differential output resistance.		–	100	–	Ω
T <sub>OSKEW</sub>	Transmitter output pair (TXP and TXN) intra-pair skew (All packages).		–	–	10	ps
C <sub>EXT</sub>	Recommended external AC coupling capacitor. <sup>(3)</sup>		–	100	–	nF

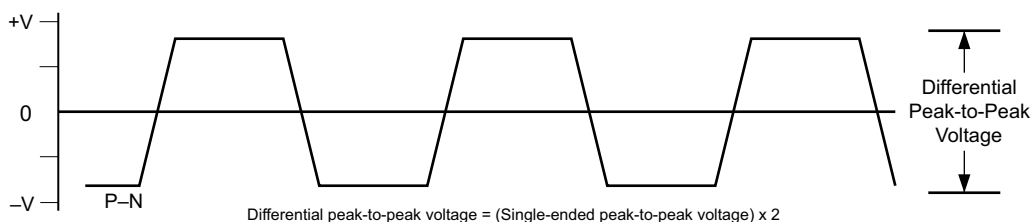
### Notes:

- The output swing and pre-emphasis levels are programmable using the attributes discussed in the *UltraScale Architecture GTH Transceiver User Guide* ([UG576](#)), and can result in values lower than reported in this table.
- V<sub>RX\_TERM</sub> is the remote RX termination voltage.
- Other values can be used as appropriate to conform to specific protocols and standards.



X16653-101316

Figure 3: Single-Ended Peak-to-Peak Voltage



X16639-101316

Figure 4: Differential Peak-to-Peak Voltage

Table 48 and Table 49 summarize the DC specifications of the GTH transceivers input and output clocks in Kintex UltraScale+ FPGAs. Consult the *UltraScale Architecture GTH Transceiver User Guide (UG576)* for further information.

Table 48: GTH Transceiver Clock DC Input Level Specification

Symbol	DC Parameter	Min	Typ	Max	Units
$V_{IDIFF}$	Differential peak-to-peak input voltage.	250	–	2000	mV
$R_{IN}$	Differential input resistance.	–	100	–	$\Omega$
$C_{EXT}$	Required external AC coupling capacitor.	–	10	–	nF

Table 49: GTH Transceiver Clock Output Level Specification

Symbol	Description	Conditions	Min	Typ	Max	Units
$V_{OL}$	Output Low voltage for P and N.	$R_T = 100\Omega$ across P and N signals	100	–	330	mV
$V_{OH}$	Output High voltage for P and N.	$R_T = 100\Omega$ across P and N signals	500	–	700	mV
$V_{DDOUT}$	Differential output voltage. (P–N), P = High (N–P), N = High	$R_T = 100\Omega$ across P and N signals	300	–	430	mV
$V_{CMOUT}$	Common mode voltage.	$R_T = 100\Omega$ across P and N signals	300	–	500	mV

## GTH Transceiver Switching Characteristics

Consult the *UltraScale Architecture GTH Transceiver User Guide* ([UG576](#)) for further information.

Table 50: GTH Transceiver Performance

Symbol	Description	Output Divider	Speed Grade and V <sub>CCINT</sub> Operating Voltages										Units
			0.90V		0.85V				0.72V				
			-3		-2		-1		-2		-1		
F <sub>GTHMAX</sub>	GTH maximum line rate.		16.375		16.375				12.5				Gb/s
F <sub>GTHMIN</sub>	GTH minimum line rate.		0.5		0.5				0.5				Gb/s
			Min	Max	Min	Max	Min	Max	Min	Max	Min	Max	
F <sub>GTHCRANGE</sub>	CPLL line rate range. <sup>(1)</sup>	1	4	12.5	4	12.5	4	8.5	4	8.5	4	8.5	Gb/s
		2	2	6.25	2	6.25	2	4.25	2	4.25	2	4.25	Gb/s
		4	1	3.125	1	3.125	1	2.125	1	2.125	1	2.125	Gb/s
		8	0.5	1.5625	0.5	1.5625	0.5	1.0625	0.5	1.0625	0.5	1.0625	Gb/s
		16	N/A										Gb/s
			Min	Max	Min	Max	Min	Max	Min	Max	Min	Max	
F <sub>GTHQRANGE1</sub>	QPLL0 line rate range. <sup>(2)</sup>	1	9.8	16.375	9.8	16.375	9.8	12.5	9.8	12.5	9.8	10.3125	Gb/s
		2	4.9	8.1875	4.9	8.1875	4.9	8.15	4.9	8.1875	4.9	8.15	Gb/s
		4	2.45	4.0938	2.45	4.0938	2.45	4.075	2.45	4.0938	2.45	4.075	Gb/s
		8	1.225	2.0469	1.225	2.0469	1.225	2.0375	1.225	2.0469	1.225	2.0375	Gb/s
		16	0.6125	1.0234	0.6125	1.0234	0.6125	1.0188	0.6125	1.0234	0.6125	1.0188	Gb/s
			Min	Max	Min	Max	Min	Max	Min	Max	Min	Max	
F <sub>GTHQRANGE2</sub>	QPLL1 line rate range. <sup>(3)</sup>	1	8.0	13	8.0	13	8.0	12.5	8.0	12.5	8.0	10.3125	Gb/s
		2	4.0	6.5	4.0	6.5	4.0	6.5	4.0	6.5	4.0	6.5	Gb/s
		4	2.0	3.25	2.0	3.25	2.0	3.25	2.0	3.25	2.0	3.25	Gb/s
		8	1.0	1.625	1.0	1.625	1.0	1.625	1.0	1.625	1.0	1.625	Gb/s
		16	0.5	0.8125	0.5	0.8125	0.5	0.8125	0.5	0.8125	0.5	0.8125	Gb/s
			Min	Max	Min	Max	Min	Max	Min	Max	Min	Max	
F <sub>CPLLRANGE</sub>	CPLL frequency range.		2	6.25	2	6.25	2	4.25	2	4.25	2	4.25	GHz
F <sub>QPLLORANGE</sub>	QPLL0 frequency range.		9.8	16.375	9.8	16.375	9.8	16.375	9.8	16.375	9.8	16.375	GHz
F <sub>QPLL1RANGE</sub>	QPLL1 frequency range.		8	13	8	13	8	13	8	13	8	13	GHz

**Notes:**

1. The values listed are the rounded results of the calculated equation  $(2 \times \text{CPLL\_Frequency}) / \text{Output\_Divider}$ .
2. The values listed are the rounded results of the calculated equation  $(\text{QPLL0\_Frequency}) / \text{Output\_Divider}$ .
3. The values listed are the rounded results of the calculated equation  $(\text{QPLL1\_Frequency}) / \text{Output\_Divider}$ .

Table 51: GTH Transceiver Dynamic Reconfiguration Port (DRP) Switching Characteristics

Symbol	Description	All Speed Grades	Units
F <sub>GTHDRPCLK</sub>	GTHDRPCLK maximum frequency.	250	MHz

Table 52: GTH Transceiver Reference Clock Switching Characteristics

Symbol	Description	Conditions	All Speed Grades			Units
			Min	Typ	Max	
F <sub>GCLK</sub>	Reference clock frequency range.		60	–	820	MHz
T <sub>RCLK</sub>	Reference clock rise time.	20% – 80%	–	200	–	ps
T <sub>FCLK</sub>	Reference clock fall time.	80% – 20%	–	200	–	ps
T <sub>DCREF</sub>	Reference clock duty cycle.	Transceiver PLL only	40	50	60	%

Table 53: GTH Transceiver Reference Clock Oscillator Selection Phase Noise Mask

Symbol	Description	Offset Frequency	Min	Typ	Max	Units
QPLL <sub>REFCLKMASK</sub> <sup>(1)(2)</sup>	QPLL0/QPLL1 reference clock select phase noise mask at REFCLK frequency = 312.5 MHz.	10 kHz	–	–	–105	dBc/Hz
		100 kHz	–	–	–124	
		1 MHz	–	–	–130	
CPLL <sub>REFCLKMASK</sub> <sup>(1)(2)</sup>	CPLL reference clock select phase noise mask at REFCLK frequency = 312.5 MHz.	10 kHz	–	–	–105	dBc/Hz
		100 kHz	–	–	–124	
		1 MHz	–	–	–130	
		50 MHz	–	–	–140	

Notes:

- For reference clock frequencies other than 312.5 MHz, adjust the phase-noise mask values by 20 x Log(N/312.5) where N is the new reference clock frequency in MHz.
- This reference clock phase-noise mask is superseded by any reference clock phase-noise mask that is specified in a supported protocol, e.g., PCIe.

Table 54: GTH Transceiver PLL/Lock Time Adaptation

Symbol	Description	Conditions	All Speed Grades			Units
			Min	Typ	Max	
T <sub>LOCK</sub>	Initial PLL lock.		–	–	1	ms
T <sub>DLOCK</sub>	Clock recovery phase acquisition and adaptation time for decision feedback equalizer (DFE).	After the PLL is locked to the reference clock, this is the time it takes to lock the clock data recovery (CDR) to the data present at the input.	–	50,000	37 x 10 <sup>6</sup>	UI
	Clock recovery phase acquisition and adaptation time for low-power mode (LPM) when the DFE is disabled.		–	50,000	2.3 x 10 <sup>6</sup>	UI

Table 55: GTH Transceiver User Clock Switching Characteristics<sup>(1)</sup>

Symbol	Description	Data Width Conditions (Bit)		Speed Grade, Temperature Ranges, and V <sub>CCINT</sub> Operating Voltages					Units
				0.90V		0.85V		0.72V	
		Internal Logic	Interconnect Logic	-3 <sup>(2)</sup>	-2 <sup>(2)(3)</sup>	-1 <sup>(4)(5)</sup>	-2 <sup>(3)</sup>	-1 <sup>(3)(5)</sup>	
F <sub>TXOUTPMA</sub>	TXOUTCLK maximum frequency sourced from OUTCLKPMA.			511.719	511.719	390.625	390.625	322.266	MHz
F <sub>RXOUTPMA</sub>	RXOUTCLK maximum frequency sourced from OUTCLKPMA.			511.719	511.719	390.625	390.625	322.266	MHz

Table 55: GTH Transceiver User Clock Switching Characteristics<sup>(1)</sup> (Cont'd)

Symbol	Description	Data Width Conditions (Bit)		Speed Grade, Temperature Ranges, and V <sub>CCINT</sub> Operating Voltages					Units
				0.90V	0.85V		0.72V		
		Internal Logic	Interconnect Logic	-3 <sup>(2)</sup>	-2 <sup>(2)(3)</sup>	-1 <sup>(4)(5)</sup>	-2 <sup>(3)</sup>	-1 <sup>(3)(5)</sup>	
F <sub>TXOUTPROGDIV</sub>	TXOUTCLK maximum frequency sourced from TXPROGDIVCLK.			511.719	511.719	511.719	511.719	511.719	MHz
F <sub>RXOUTPROGDIV</sub>	RXOUTCLK maximum frequency sourced from RXPROGDIVCLK.			511.719	511.719	511.719	511.719	511.719	MHz
F <sub>TXIN</sub>	TXUSRCLK <sup>(6)</sup> maximum frequency	16	16, 32	511.719	511.719	390.625	390.625	322.266	MHz
		32	32, 64	511.719	511.719	390.625	390.625	322.266	MHz
		20	20, 40	409.375	409.375	312.500	312.500	257.813	MHz
		40	40, 80	409.375	409.375	312.500	312.500	257.813	MHz
F <sub>RXIN</sub>	RXUSRCLK <sup>(6)</sup> maximum frequency	16	16, 32	511.719	511.719	390.625	390.625	322.266	MHz
		32	32, 64	511.719	511.719	390.625	390.625	322.266	MHz
		20	20, 40	409.375	409.375	312.500	312.500	257.813	MHz
		40	40, 80	409.375	409.375	312.500	312.500	257.813	MHz
F <sub>TXIN2</sub>	TXUSRCLK2 <sup>(6)</sup> maximum frequency	16	16	511.719	511.719	390.625	390.625	322.266	MHz
		16	32	255.859	255.859	195.313	195.313	161.133	MHz
		32	32	511.719	511.719	390.625	390.625	322.266	MHz
		32	64	255.859	255.859	195.313	195.313	161.133	MHz
		20	20	409.375	409.375	312.500	312.500	257.813	MHz
		20	40	204.688	204.688	156.250	156.250	128.906	MHz
		40	40	409.375	409.375	312.500	312.500	257.813	MHz
		40	80	204.688	204.688	156.250	156.250	128.906	MHz
F <sub>RXIN2</sub>	RXUSRCLK2 <sup>(6)</sup> maximum frequency	16	16	511.719	511.719	390.625	390.625	322.266	MHz
		16	32	255.859	255.859	195.313	195.313	161.133	MHz
		32	32	511.719	511.719	390.625	390.625	322.266	MHz
		32	64	255.859	255.859	195.313	195.313	161.133	MHz
		20	20	409.375	409.375	312.500	312.500	257.813	MHz
		20	40	204.688	204.688	156.250	156.250	128.906	MHz
		40	40	409.375	409.375	312.500	312.500	257.813	MHz
		40	80	204.688	204.688	156.250	156.250	128.906	MHz

Notes:

1. Clocking must be implemented as described in the *UltraScale Architecture GTH Transceiver User Guide* ([UG576](#)).
2. For speed grades -3E, -2E, and -2I, a 16-bit and 20-bit internal data path can only be used for line rates less than 8.1875 Gb/s.
3. For speed grade -2LE, a 16-bit and 20-bit internal data path can only be used for line rates less than 8.1875 Gb/s when V<sub>CCINT</sub> = 0.85V or 6.25 Gb/s when V<sub>CCINT</sub> = 0.72V.
4. For speed grades -1E and -1I, a 16-bit and 20-bit internal data path can only be used for line rates less than 6.25 Gb/s.
5. For speed grade -1LI, a 16-bit and 20-bit internal data path can only be used for line rates less than 6.25 Gb/s when V<sub>CCINT</sub> = 0.85V or 5.15625 Gb/s when V<sub>CCINT</sub> = 0.72V.
6. When the gearbox is used, these maximums refer to the XCLK. For more information, see the *Valid Data Width Combinations for TX Asynchronous Gearbox* table in the *UltraScale Architecture GTH Transceiver User Guide* ([UG576](#)).



Table 56: GTH Transceiver Transmitter Switching Characteristics

Symbol	Description	Condition	Min	Typ	Max	Units
$F_{GTHTX}$	Serial data rate range		0.500	–	$F_{GTHMAX}$	Gb/s
$T_{RTX}$	TX rise time	20%–80%	–	21	–	ps
$T_{FTX}$	TX fall time	80%–20%	–	21	–	ps
$T_{LLSKEW}$	TX lane-to-lane skew <sup>(1)</sup>		–	–	500.00	ps
$T_{J16.375}$	Total jitter <sup>(2)(4)</sup>	16.375 Gb/s	–	–	0.28	UI
$D_{J16.375}$	Deterministic jitter <sup>(2)(4)</sup>		–	–	0.17	UI
$T_{J15.0}$	Total jitter <sup>(2)(4)</sup>	15.0 Gb/s	–	–	0.28	UI
$D_{J15.0}$	Deterministic jitter <sup>(2)(4)</sup>		–	–	0.17	UI
$T_{J14.1}$	Total jitter <sup>(2)(4)</sup>	14.1 Gb/s	–	–	0.28	UI
$D_{J14.1}$	Deterministic jitter <sup>(2)(4)</sup>		–	–	0.17	UI
$T_{J14.1}$	Total jitter <sup>(2)(4)</sup>	14.025 Gb/s	–	–	0.28	UI
$D_{J14.1}$	Deterministic jitter <sup>(2)(4)</sup>		–	–	0.17	UI
$T_{J13.1}$	Total jitter <sup>(2)(4)</sup>	13.1 Gb/s	–	–	0.28	UI
$D_{J13.1}$	Deterministic jitter <sup>(2)(4)</sup>		–	–	0.17	UI
$T_{J12.5\_QPLL}$	Total jitter <sup>(2)(4)</sup>	12.5 Gb/s	–	–	0.28	UI
$D_{J12.5\_QPLL}$	Deterministic jitter <sup>(2)(4)</sup>		–	–	0.17	UI
$T_{J12.5\_CPLL}$	Total jitter <sup>(3)(4)</sup>	12.5 Gb/s	–	–	0.33	UI
$D_{J12.5\_CPLL}$	Deterministic jitter <sup>(3)(4)</sup>		–	–	0.17	UI
$T_{J11.3\_QPLL}$	Total jitter <sup>(2)(4)</sup>	11.3 Gb/s	–	–	0.28	UI
$D_{J11.3\_QPLL}$	Deterministic jitter <sup>(2)(4)</sup>		–	–	0.17	UI
$T_{J10.3125\_QPLL}$	Total jitter <sup>(2)(4)</sup>	10.3125 Gb/s	–	–	0.28	UI
$D_{J10.3125\_QPLL}$	Deterministic jitter <sup>(2)(4)</sup>		–	–	0.17	UI
$T_{J10.3125\_CPLL}$	Total jitter <sup>(3)(4)</sup>	10.3125 Gb/s	–	–	0.33	UI
$D_{J10.3125\_CPLL}$	Deterministic jitter <sup>(3)(4)</sup>		–	–	0.17	UI
$T_{J9.953\_QPLL}$	Total jitter <sup>(2)(4)</sup>	9.953 Gb/s	–	–	0.28	UI
$D_{J9.953\_QPLL}$	Deterministic jitter <sup>(2)(4)</sup>		–	–	0.17	UI
$T_{J9.953\_CPLL}$	Total jitter <sup>(3)(4)</sup>	9.953 Gb/s	–	–	0.33	UI
$D_{J9.953\_CPLL}$	Deterministic jitter <sup>(3)(4)</sup>		–	–	0.17	UI
$T_{J8.0}$	Total jitter <sup>(3)(4)</sup>	8.0 Gb/s	–	–	0.32	UI
$D_{J8.0}$	Deterministic jitter <sup>(3)(4)</sup>		–	–	0.17	UI
$T_{J6.6}$	Total jitter <sup>(3)(4)</sup>	6.6 Gb/s	–	–	0.30	UI
$D_{J6.6}$	Deterministic jitter <sup>(3)(4)</sup>		–	–	0.15	UI
$T_{J5.0}$	Total jitter <sup>(3)(4)</sup>	5.0 Gb/s	–	–	0.30	UI
$D_{J5.0}$	Deterministic jitter <sup>(3)(4)</sup>		–	–	0.15	UI
$T_{J4.25}$	Total jitter <sup>(3)(4)</sup>	4.25 Gb/s	–	–	0.30	UI
$D_{J4.25}$	Deterministic jitter <sup>(3)(4)</sup>		–	–	0.15	UI
$T_{J4.0}$	Total jitter <sup>(3)(4)</sup>	4.0 Gb/s	–	–	0.32	UI
$D_{J4.0}$	Deterministic jitter <sup>(3)(4)</sup>		–	–	0.16	UI
$T_{J3.20}$	Total jitter <sup>(3)(4)</sup>	3.20 Gb/s <sup>(5)</sup>	–	–	0.20	UI
$D_{J3.20}$	Deterministic jitter <sup>(3)(4)</sup>		–	–	0.10	UI

Table 56: GTH Transceiver Transmitter Switching Characteristics (Cont'd)

Symbol	Description	Condition	Min	Typ	Max	Units
T <sub>J2.5</sub>	Total jitter <sup>(3)(4)</sup>	2.5 Gb/s <sup>(6)</sup>	–	–	0.20	UI
D <sub>J2.5</sub>	Deterministic jitter <sup>(3)(4)</sup>		–	–	0.10	UI
T <sub>J1.25</sub>	Total jitter <sup>(3)(4)</sup>	1.25 Gb/s <sup>(7)</sup>	–	–	0.15	UI
D <sub>J1.25</sub>	Deterministic jitter <sup>(3)(4)</sup>		–	–	0.06	UI
T <sub>J500</sub>	Total jitter <sup>(3)(4)</sup>	500 Mb/s <sup>(8)</sup>	–	–	0.10	UI
D <sub>J500</sub>	Deterministic jitter <sup>(3)(4)</sup>		–	–	0.03	UI

**Notes:**

- Using same REFCLK input with TX phase alignment enabled for up to four consecutive transmitters (one fully populated GTH Quad) at the maximum line rate.
- Using QPLL\_FBDIV = 40, 20-bit internal data width. These values are NOT intended for protocol specific compliance determinations.
- Using CPLL\_FBDIV = 2, 20-bit internal data width. These values are NOT intended for protocol specific compliance determinations.
- All jitter values are based on a bit-error ratio of 10<sup>-12</sup>.
- CPLL frequency at 3.2 GHz and TXOUT\_DIV = 2.
- CPLL frequency at 2.5 GHz and TXOUT\_DIV = 2.
- CPLL frequency at 2.5 GHz and TXOUT\_DIV = 4.
- CPLL frequency at 2.0 GHz and TXOUT\_DIV = 8.

Table 57: GTH Transceiver Receiver Switching Characteristics

Symbol	Description	Condition	Min	Typ	Max	Units
F <sub>GTHRX</sub>	Serial data rate		0.500	–	F <sub>GTHMAX</sub>	Gb/s
R <sub>XSSST</sub>	Receiver spread-spectrum tracking <sup>(1)</sup>	Modulated at 33 kHz	–5000	–	0	ppm
R <sub>XRL</sub>	Run length (CID)		–	–	256	UI
R <sub>XPPMTOL</sub>	Data/REFCLK PPM offset tolerance	Bit rates ≤ 6.6 Gb/s	–1250	–	1250	ppm
		Bit rates > 6.6 Gb/s and ≤ 8.0 Gb/s	–700	–	700	ppm
		Bit rates > 8.0 Gb/s	–200	–	200	ppm
<b>SJ Jitter Tolerance<sup>(2)</sup></b>						
J <sub>T_SJ16.375</sub>	Sinusoidal jitter (QPLL) <sup>(3)</sup>	16.375 Gb/s	0.30	–	–	UI
J <sub>T_SJ15.1</sub>	Sinusoidal jitter (QPLL) <sup>(3)</sup>	15.1 Gb/s	0.30	–	–	UI
J <sub>T_SJ14.1</sub>	Sinusoidal jitter (QPLL) <sup>(3)</sup>	14.1 Gb/s	0.30	–	–	UI
J <sub>T_SJ13.1</sub>	Sinusoidal jitter (QPLL) <sup>(3)</sup>	13.1 Gb/s	0.30	–	–	UI
J <sub>T_SJ12.5</sub>	Sinusoidal jitter (QPLL) <sup>(3)</sup>	12.5 Gb/s	0.30	–	–	UI
J <sub>T_SJ11.3</sub>	Sinusoidal jitter (QPLL) <sup>(3)</sup>	11.3 Gb/s	0.30	–	–	UI
J <sub>T_SJ10.32_QPLL</sub>	Sinusoidal jitter (QPLL) <sup>(3)</sup>	10.32 Gb/s	0.30	–	–	UI
J <sub>T_SJ10.32_CPLL</sub>	Sinusoidal jitter (CPLL) <sup>(3)</sup>	10.32 Gb/s	0.30	–	–	UI
J <sub>T_SJ9.953_QPLL</sub>	Sinusoidal jitter (QPLL) <sup>(3)</sup>	9.953 Gb/s	0.30	–	–	UI
J <sub>T_SJ9.953_CPLL</sub>	Sinusoidal jitter (CPLL) <sup>(3)</sup>	9.953 Gb/s	0.30	–	–	UI
J <sub>T_SJ8.0</sub>	Sinusoidal jitter (QPLL) <sup>(3)</sup>	8.0 Gb/s	0.42	–	–	UI
J <sub>T_SJ6.6_CPLL</sub>	Sinusoidal jitter (CPLL) <sup>(3)</sup>	6.6 Gb/s	0.44	–	–	UI
J <sub>T_SJ5.0</sub>	Sinusoidal jitter (CPLL) <sup>(3)</sup>	5.0 Gb/s	0.44	–	–	UI
J <sub>T_SJ4.25</sub>	Sinusoidal jitter (CPLL) <sup>(3)</sup>	4.25 Gb/s	0.44	–	–	UI
J <sub>T_SJ3.2</sub>	Sinusoidal jitter (CPLL) <sup>(3)</sup>	3.2 Gb/s <sup>(4)</sup>	0.45	–	–	UI

Table 57: GTH Transceiver Receiver Switching Characteristics (Cont'd)

Symbol	Description	Condition	Min	Typ	Max	Units
J <sub>T_SJ2.5</sub>	Sinusoidal jitter (CPLL) <sup>(3)</sup>	2.5 Gb/s <sup>(5)</sup>	0.30	–	–	UI
J <sub>T_SJ1.25</sub>	Sinusoidal jitter (CPLL) <sup>(3)</sup>	1.25 Gb/s <sup>(6)</sup>	0.30	–	–	UI
J <sub>T_SJ500</sub>	Sinusoidal jitter (CPLL) <sup>(3)</sup>	500 Mb/s <sup>(7)</sup>	0.30	–	–	UI
<b>SJ Jitter Tolerance with Stressed Eye<sup>(2)</sup></b>						
J <sub>T_TJSE3.2</sub>	Total jitter with stressed eye <sup>(8)</sup>	3.2 Gb/s	0.70	–	–	UI
J <sub>T_TJSE6.6</sub>		6.6 Gb/s	0.70	–	–	UI
J <sub>T_SJSE3.2</sub>	Sinusoidal jitter with stressed eye <sup>(8)</sup>	3.2 Gb/s	0.10	–	–	UI
J <sub>T_SJSE6.6</sub>		6.6 Gb/s	0.10	–	–	UI

**Notes:**

- Using RXOUT\_DIV = 1, 2, and 4.
- All jitter values are based on a bit error ratio of 10<sup>-12</sup>.
- The frequency of the injected sinusoidal jitter is 80 MHz.
- CPLL frequency at 3.2 GHz and RXOUT\_DIV = 2.
- CPLL frequency at 2.5 GHz and RXOUT\_DIV = 2.
- CPLL frequency at 2.5 GHz and RXOUT\_DIV = 4.
- CPLL frequency at 2.0 GHz and RXOUT\_DIV = 8.
- Composite jitter with RX equalizer enabled. DFE disabled.

## GTH Transceiver Electrical Compliance

The *UltraScale Architecture GTH Transceiver User Guide* ([UG576](#)) contains recommended use modes that ensure compliance for the protocols listed in [Table 58](#). The transceiver wizard provides the recommended settings for those use cases and for protocol specific characteristics.

**Table 58: GTH Transceiver Protocol List**

Protocol	Specification	Serial Rate (Gb/s)	Electrical Compliance
CAUI-10	IEEE 802.3-2012	10.3125	Compliant
nPPI	IEEE 802.3-2012	10.3125	Compliant
10GBASE-KR <sup>(1)</sup>	IEEE 802.3-2012	10.3125	Compliant
40GBASE-KR	IEEE 802.3-2012	10.3125	Compliant
SFP+	SFF-8431 (SR and LR)	9.95328–11.10	Compliant
XFP	INF-8077i, revision 4.5	10.3125	Compliant
RXAUI	CEI-6G-SR	6.25	Compliant
XAUI	IEEE 802.3-2012	3.125	Compliant
1000BASE-X	IEEE 802.3-2012	1.25	Compliant
5.0G Ethernet	IEEE 802.3bx (PAR)	5	Compliant
2.5G Ethernet	IEEE 802.3bx (PAR)	2.5	Compliant
HiGig, HiGig+, HiGig2	IEEE 802.3-2012	3.74, 6.6	Compliant
OTU2	ITU G.8251	10.709225	Compliant
OTU4 (OTL4.10)	OIF-CEI-11G-SR	11.180997	Compliant
OC-3/12/48/192	GR-253-CORE	0.1555–9.956	Compliant
TFI-5	OIF-TFI5-0.1.0	2.488	Compliant
Interlaken	OIF-CEI-6G, OIF-CEI-11G-SR	4.25–12.5	Compliant
PCIe Gen1, 2, 3	PCI Express base 3.0	2.5, 5.0, and 8.0	Compliant
SDI <sup>(2)</sup>	SMPTE 424M-2006	0.27–2.97	Compliant
UHD-SDI <sup>(2)</sup>	SMPTE ST-2081 6G, SMPTE ST-2082 12G	6 and 12	Compliant
Hybrid memory cube (HMC)	HMC-15G-SR	10, 12.5, and 15.0	Compliant
MoSys Bandwidth Engine	CEI-11-SR and CEI-11-SR (overclocked)	10.3125, 15.5	Compliant
CPRI	CPRI_v_6_1_2014-07-01	0.6144–12.165	Compliant
HDMI <sup>(2)</sup>	HDMI 2.0	All	Compliant
Passive optical network (PON)	10G-EPON, 1G-EPON, NG-PON2, XG-PON, and 2.5G-PON	0.155–10.3125	Compliant
JESD204a/b	OIF-CEI-6G, OIF-CEI-11G	3.125–12.5	Compliant
Serial RapidIO	RapidIO specification 3.1	1.25–10.3125	Compliant
DisplayPort <sup>(2)</sup>	DP 1.2B CTS	1.62–5.4	Compliant
Fibre channel	FC-PI-4	1.0625–14.025	Compliant
SATA Gen1, 2, 3	Serial ATA revision 3.0 specification	1.5, 3.0, and 6.0	Compliant
SAS Gen1, 2, 3	T10/BSR INCITS 519	3.0, 6.0, and 12.0	Compliant
SFI-5	OIF-SFI5-01.0	0.625–12.5	Compliant
Aurora	CEI-6G, CEI-11G-LR	up to 11.180997	Compliant

**Notes:**

1. The transition time of the transmitter is faster than the IEEE Std 802.3-2012 specification.
2. This protocol requires external circuitry to achieve compliance.

# GTY Transceiver Specifications

The *UltraScale Architecture and Product Overview* ([DS890](#)) lists the Kintex UltraScale+ FPGAs that include the GTY transceivers.

## GTY Transceiver DC Input and Output Levels

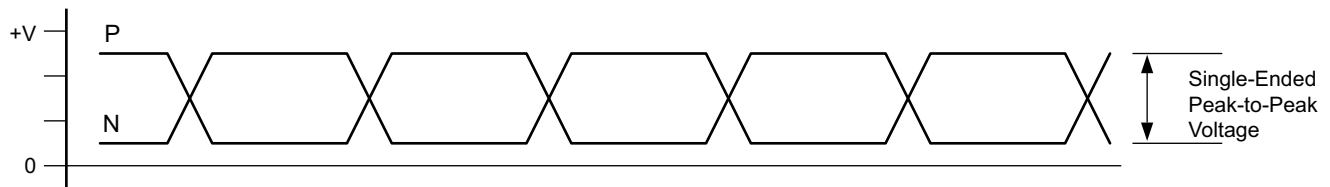
[Table 59](#) and [Table 60](#) summarize the DC specifications of the GTY transceivers in Kintex UltraScale+ FPGAs. Consult the *UltraScale Architecture GTY Transceiver User Guide* ([UG578](#)) for further information.

Table 59: GTY Transceiver DC Specifications

Symbol	DC Parameter	Conditions	Min	Typ	Max	Units
DV <sub>PPIN</sub>	Differential peak-to-peak input voltage (external AC coupled)	> 10.3125 Gb/s	150	–	1250	mV
		6.6 Gb/s to 10.3125 Gb/s	150	–	1250	mV
		≤ 6.6 Gb/s	150	–	2000	mV
V <sub>IN</sub>	Single-ended input voltage. Voltage measured at the pin referenced to GND.	DC coupled V <sub>MGTAVTT</sub> = 1.2V	–400	–	V <sub>MGTAVTT</sub>	mV
V <sub>CMIN</sub>	Common mode input voltage	DC coupled V <sub>MGTAVTT</sub> = 1.2V	–	2/3 V <sub>MGTAVTT</sub>	–	mV
D <sub>VPPOUT</sub>	Differential peak-to-peak output voltage <sup>(1)</sup>	Transmitter output swing is set to 11111	800	–	–	mV
V <sub>CMOUTDC</sub>	Common mode output voltage: DC coupled (equation based)	When remote RX is terminated to GND	$V_{MGTAVTT}/2 - D_{VPPOUT}/4$			mV
		When remote RX termination is floating	$V_{MGTAVTT} - D_{VPPOUT}/2$			mV
		When remote RX is terminated to V <sub>RX_TERM</sub> <sup>(2)</sup>	$V_{MGTAVTT} - \frac{D_{VPPOUT}}{4} - \left(\frac{V_{MGTAVTT} - V_{RX\_TERM}}{2}\right)$			mV
V <sub>CMOUTAC</sub>	Common mode output voltage: AC coupled	Equation based	$V_{MGTAVTT} - D_{VPPOUT}/2$			mV
R <sub>IN</sub>	Differential input resistance		–	100	–	Ω
R <sub>OUT</sub>	Differential output resistance		–	100	–	Ω
T <sub>OSKEW</sub>	Transmitter output pair (TXP and TXN) intra-pair skew		–	–	10	ps
C <sub>EXT</sub>	Recommended external AC coupling capacitor <sup>(3)</sup>		–	100	–	nF

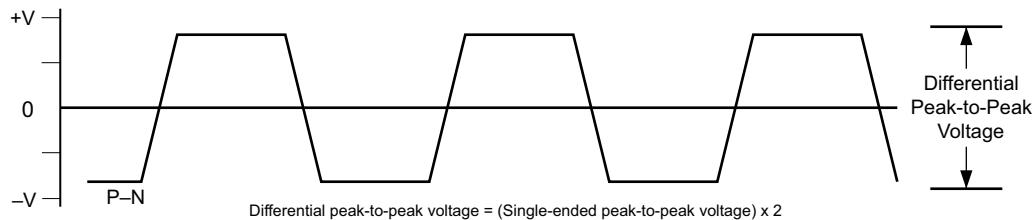
**Notes:**

1. The output swing and pre-emphasis levels are programmable using the GTY transceiver attributes discussed in the *UltraScale Architecture GTY Transceiver User Guide* ([UG578](#)) and can result in values lower than reported in this table.
2. V<sub>RX\_TERM</sub> is the remote RX termination voltage.
3. Other values can be used as appropriate to conform to specific protocols and standards.



X16653-101316

Figure 5: Single-Ended Peak-to-Peak Voltage



X16639-101316

Figure 6: Differential Peak-to-Peak Voltage

Table 60 and Table 61 summarize the DC specifications of the clock input of the GTY transceivers in Kintex UltraScale+ FPGAs. Consult the *UltraScale Architecture GTY Transceiver User Guide (UG578)* for further information.

Table 60: GTY Transceiver Clock DC Input Level Specification

Symbol	DC Parameter	Min	Typ	Max	Units
$V_{IDIFF}$	Differential peak-to-peak input voltage	250	–	2000	mV
$R_{IN}$	Differential input resistance	–	100	–	$\Omega$
$C_{EXT}$	Required external AC coupling capacitor	–	10	–	nF

Table 61: GTY Transceiver Clock Output Level Specification

Symbol	Description	Conditions	Min	Typ	Max	Units
$V_{OL}$	Output Low voltage for P and N	$R_T = 100\Omega$ across P and N signals	100	–	330	mV
$V_{OH}$	Output High voltage for P and N	$R_T = 100\Omega$ across P and N signals	500	–	700	mV
$V_{DDOUT}$	Differential output voltage (P–N), P = High (N–P), N = High	$R_T = 100\Omega$ across P and N signals	300	–	430	mV
$V_{CMOUT}$	Common mode voltage	$R_T = 100\Omega$ across P and N signals	300	–	500	mV

# GTY Transceiver Switching Characteristics

Consult the *UltraScale Architecture GTY Transceiver User Guide (UG578)* for further information.

Table 62: GTY Transceiver Performance

Symbol	Description	Output Divider	Speed Grade and V <sub>CCINT</sub> Operating Voltages										Units
			0.90V		0.85V		0.72V		0.72V		0.72V		
			-3	-2	-1	-2	-1	-2	-1	-2	-1	-2	
F <sub>GTymax</sub>	GTY maximum line rate		32.75 <sup>(1)</sup>		28.21 <sup>(1)</sup>		25.7813		28.21 <sup>(1)</sup>		12.5		Gb/s
F <sub>GTymin</sub>	GTY minimum line rate		0.5		0.5		0.5		0.5		0.5		Gb/s
			Min	Max	Min	Max	Min	Max	Min	Max	Min	Max	
F <sub>GTyCRANGE</sub>	CPLL line rate range <sup>(2)</sup>	1	4.0	12.5	4.0	12.5	4.0	8.5	4.0	12.5	4.0	8.5	Gb/s
		2	2.0	6.25	2.0	6.25	2.0	4.25	2.0	6.25	2.0	4.25	Gb/s
		4	1.0	3.125	1.0	3.125	1.0	2.125	1.0	3.125	1.0	2.125	Gb/s
		8	0.5	1.5625	0.5	1.5625	0.5	1.0625	0.5	1.5625	0.5	1.0625	Gb/s
		16	N/A										Gb/s
		32	N/A										Gb/s
			Min	Max	Min	Max	Min	Max	Min	Max	Min	Max	
F <sub>GTyQRANGE1</sub>	QPLL0 line rate range <sup>(3)</sup>	1	19.6	32.75	19.6	28.21	19.6	25.7813	19.6	28.21	N/A		Gb/s
		1	9.8	16.375	9.8	16.375	9.8	12.5	9.8	16.375	9.8	12.5	Gb/s
		2	4.9	8.1875	4.9	8.1875	4.9	8.1875	4.9	8.1875	4.9	8.1875	Gb/s
		4	2.45	4.09375	2.45	4.09375	2.45	4.09375	2.45	4.09375	2.45	4.09375	Gb/s
		8	1.225	2.04688	1.225	2.04688	1.225	2.04688	1.225	2.04688	1.225	2.04688	Gb/s
		16	0.6125	1.02344	0.6125	1.02344	0.6125	1.02344	0.6125	1.02344	0.6125	1.02344	Gb/s
			Min	Max	Min	Max	Min	Max	Min	Max	Min	Max	
F <sub>GTyQRANGE2</sub>	QPLL1 line rate range <sup>(4)</sup>	1	16.0	26.0	16.0	26.0	19.6	25.7813	16.0	26.0	N/A		Gb/s
		1	8.0	13.0	8.0	13.0	8.0	12.5	8.0	13.0	8.0	12.5	Gb/s
		2	4.0	6.5	4.0	6.5	4.0	6.5	4.0	6.5	4.0	6.5	Gb/s
		4	2.0	3.25	2.0	3.25	2.0	3.25	2.0	3.25	2.0	3.25	Gb/s
		8	1.0	1.625	1.0	1.625	1.0	1.625	1.0	1.625	1.0	1.625	Gb/s
		16	0.5	0.8125	0.5	0.8125	0.5	0.8125	0.5	0.8125	0.5	0.8125	Gb/s
			Min	Max	Min	Max	Min	Max	Min	Max	Min	Max	
F <sub>CPLL</sub> RANGE	CPLL frequency range		2.0	6.25	2.0	6.25	2.0	4.25	2.0	6.25	2.0	4.25	GHz
F <sub>QPLL0</sub> RANGE	QPLL0 frequency range		9.8	16.375	9.8	16.375	9.8	16.375	9.8	16.375	9.8	16.375	GHz
F <sub>QPLL1</sub> RANGE	QPLL1 frequency range		8.0	13.0	8.0	13.0	8.0	13.0	8.0	13.0	8.0	13.0	GHz

**Notes:**

1. GTY transceiver line rates are package limited: SFVB784 to 12.5 Gb/s; FFVA676, FFVD900, and FFVA1156 to 16.3 Gb/s.
2. The values listed are the rounded results of the calculated equation (2 x CPLL\_Frequency)/Output\_Divider.
3. The values listed are the rounded results of the calculated equation (2 x QPLL0\_Frequency)/Output\_Divider.
4. The values listed are the rounded results of the calculated equation (2 x QPLL1\_Frequency)/Output\_Divider.

**Table 63: GTY Transceiver Dynamic Reconfiguration Port (DRP) Switching Characteristics**

Symbol	Description	All Speed Grades	Units
$F_{GTYDRPCLK}$	GTYDRPCLK maximum frequency.	250	MHz

**Table 64: GTY Transceiver Reference Clock Switching Characteristics**

Symbol	Description	Conditions	All Speed Grades			Units
			Min	Typ	Max	
$F_{GCLK}$	Reference clock frequency range.		60	–	820	MHz
$T_{RCLK}$	Reference clock rise time.	20% – 80%	–	200	–	ps
$T_{FCLK}$	Reference clock fall time.	80% – 20%	–	200	–	ps
$T_{DCREF}$	Reference clock duty cycle.	Transceiver PLL only	40	50	60	%

**Table 65: GTY Transceiver Reference Clock Oscillator Selection Phase Noise Mask<sup>(1)</sup>**

Symbol	Description	Offset Frequency	Min	Typ	Max	Units
$QPLL_{REFCLKMASK}$	QPLL0/QPLL1 reference clock select phase noise mask at REFCLK frequency = 156.25 MHz.	10 kHz	–	–	–112	dBc/Hz
		100 kHz	–	–	–128	
		1 MHz	–	–	–145	
	QPLL0/QPLL1 reference clock select phase noise mask at REFCLK frequency = 312.5 MHz.	10 kHz	–	–	–103	dBc/Hz
		100 kHz	–	–	–123	
		1 MHz	–	–	–143	
	QPLL0/QPLL1 reference clock select phase noise mask at REFCLK frequency = 625 MHz.	10 kHz	–	–	–98	dBc/Hz
		100 kHz	–	–	–117	
		1 MHz	–	–	–140	
$CPLL_{REFCLKMASK}$	CPLL reference clock select phase noise mask at REFCLK frequency = 156.25 MHz.	10 kHz	–	–	–112	dBc/Hz
		100 kHz	–	–	–128	
		1 MHz	–	–	–145	
		50 MHz	–	–	–145	
	CPLL reference clock select phase noise mask at REFCLK frequency = 312.5 MHz.	10 kHz	–	–	–103	dBc/Hz
		100 kHz	–	–	–123	
		1 MHz	–	–	–143	
		50 MHz	–	–	–145	
	CPLL reference clock select phase noise mask at REFCLK frequency = 625 MHz.	10 kHz	–	–	–98	dBc/Hz
		100 kHz	–	–	–117	
		1 MHz	–	–	–140	
		50 MHz	–	–	–144	

**Notes:**

- For reference clock frequencies not in this table, use the phase-noise mask for the nearest reference clock frequency.



Table 66: GTY Transceiver PLL/Lock Time Adaptation

Symbol	Description	Conditions	All Speed Grades			Units
			Min	Typ	Max	
T <sub>LOCK</sub>	Initial PLL lock.		–	–	1	ms
T <sub>DLOCK</sub>	Clock recovery phase acquisition and adaptation time for decision feedback equalizer (DFE).	After the PLL is locked to the reference clock, this is the time it takes to lock the clock data recovery (CDR) to the data present at the input.	–	50,000	37 x 10 <sup>6</sup>	UI
	Clock recovery phase acquisition and adaptation time for low-power mode (LPM) when the DFE is disabled.		–	50,000	2.3 x 10 <sup>6</sup>	UI

Table 67: GTY Transceiver User Clock Switching Characteristics<sup>(1)</sup>

Symbol	Description	Data Width Conditions (Bit)		Speed Grade and V <sub>CCINT</sub> Operating Voltages					Units
				0.90V	0.85V		0.72V		
		Internal Logic	Interconnect Logic	-3 <sup>(2)</sup>	-2 <sup>(2)(3)</sup>	-1 <sup>(4)(5)</sup>	-2 <sup>(3)</sup>	-1 <sup>(5)</sup>	
F <sub>TXOUTPMA</sub>	TXOUTCLK maximum frequency sourced from OUTCLKPMA			511.719	511.719	402.832	402.832	322.266	MHz
F <sub>RXOUTPMA</sub>	RXOUTCLK maximum frequency sourced from OUTCLKPMA			511.719	511.719	402.832	402.832	322.266	MHz
F <sub>TXOUTPROGDIV</sub>	TXOUTCLK maximum frequency sourced from TXPROGDIVCLK			511.719	511.719	511.719	511.719	511.719	MHz
F <sub>RXOUTPROGDIV</sub>	RXOUTCLK maximum frequency sourced from RXPROGDIVCLK			511.719	511.719	511.719	511.719	511.719	MHz
F <sub>TXIN</sub>	TXUSRCLK <sup>(6)</sup> maximum frequency	16	16, 32	511.719	511.719	390.625	390.625	322.266	MHz
		32	32, 64	511.719	511.719	390.625	390.625	322.266	MHz
		64	64, 128	511.719	440.781	402.832	402.832	195.313	MHz
		20	20, 40	409.375	409.375	312.500	312.500	257.813	MHz
		40	40, 80	409.375	409.375	312.500	350.000	257.813	MHz
		80	80, 160	409.375	352.625	322.266	352.625	156.250	MHz
F <sub>RXIN</sub>	RXUSRCLK <sup>(6)</sup> maximum frequency	16	16, 32	511.719	511.719	390.625	390.625	322.266	MHz
		32	32, 64	511.719	511.719	390.625	390.625	322.266	MHz
		64	64, 128	511.719	440.781	402.832	402.832	195.313	MHz
		20	20, 40	409.375	409.375	312.500	312.500	257.813	MHz
		40	40, 80	409.375	409.375	312.500	350.000	257.813	MHz
		80	80, 160	409.375	352.625	322.266	352.625	156.250	MHz

Table 67: GTY Transceiver User Clock Switching Characteristics<sup>(1)</sup> (Cont'd)

Symbol	Description	Data Width Conditions (Bit)		Speed Grade and V <sub>CCINT</sub> Operating Voltages					Units
				0.90V	0.85V		0.72V		
		Internal Logic	Interconnect Logic	-3 <sup>(2)</sup>	-2 <sup>(2)(3)</sup>	-1 <sup>(4)(5)</sup>	-2 <sup>(3)</sup>	-1 <sup>(5)</sup>	
F <sub>TXIN2</sub>	TXUSRCLK2 <sup>(6)</sup> maximum frequency	16	16	511.719	511.719	390.625	390.625	322.266	MHz
		16	32	255.859	255.859	195.313	195.313	161.133	MHz
		32	32	511.719	511.719	390.625	390.625	322.266	MHz
		32	64	255.859	255.859	195.313	195.313	161.133	MHz
		64	64	511.719	440.781	402.832	402.832	195.313	MHz
		64	128	255.859	220.391	201.416	201.416	97.656	MHz
		20	20	409.375	409.375	312.500	312.500	257.813	MHz
		20	40	204.688	204.688	156.250	156.250	128.906	MHz
		40	40	409.375	409.375	312.500	350.000	257.813	MHz
		40	80	204.688	204.688	156.250	175.000	128.906	MHz
		80	80	409.375	352.625	322.266	352.625	156.250	MHz
80	160	204.688	176.313	161.133	176.313	78.125	MHz		
F <sub>RXIN2</sub>	RXUSRCLK2 <sup>(6)</sup> maximum frequency	16	16	511.719	511.719	390.625	390.625	322.266	MHz
		16	32	255.859	255.859	195.313	195.313	161.133	MHz
		32	32	511.719	511.719	390.625	390.625	322.266	MHz
		32	64	255.859	255.859	195.313	195.313	161.133	MHz
		64	64	511.719	440.781	402.832	402.832	195.313	MHz
		64	128	255.859	220.391	201.416	201.416	97.656	MHz
		20	20	409.375	409.375	312.500	312.500	257.813	MHz
		20	40	204.688	204.688	156.250	156.250	128.906	MHz
		40	40	409.375	409.375	312.500	350.000	257.813	MHz
		40	80	204.688	204.688	156.250	175.000	128.906	MHz
		80	80	409.375	352.625	322.266	352.625	156.250	MHz
80	160	204.688	176.313	161.133	176.313	78.125	MHz		

**Notes:**

1. Clocking must be implemented as described in the *UltraScale Architecture GTY Transceiver User Guide* (UG578).
2. For speed grades -3E, -2E, and -2I, a 16-bit and 20-bit internal data path can only be used for line rates less than 8.1875 Gb/s.
3. For speed grade -2LE, a 16-bit and 20-bit internal data path can only be used for line rates less than 8.1875 Gb/s when V<sub>CCINT</sub> = 0.85V or 6.25 Gb/s when V<sub>CCINT</sub> = 0.72V.
4. For speed grades -1E and -1I, a 16-bit and 20-bit internal data path can only be used for line rates less than 6.25 Gb/s.
5. For speed grade -1LI, a 16-bit and 20-bit internal data path can only be used for line rates less than 6.25 Gb/s when V<sub>CCINT</sub> = 0.85V or 5.15625 Gb/s when V<sub>CCINT</sub> = 0.72V.
6. When the gearbox is used, these maximums refer to the XCLK. For more information, see the *Valid Data Width Combinations for TX Asynchronous Gearbox* table in the *UltraScale Architecture GTY Transceiver User Guide* (UG578).

**Table 68: GTY Transceiver Transmitter Switching Characteristics**

Symbol	Description	Condition	Min	Typ	Max	Units
F <sub>GTYTX</sub>	Serial data rate range		0.500	–	F <sub>GTYMAX</sub>	Gb/s
T <sub>RTX</sub>	TX rise time	20%–80%	–	21	–	ps
T <sub>FTX</sub>	TX fall time	80%–20%	–	21	–	ps
T <sub>LLSKEW</sub>	TX lane-to-lane skew <sup>(1)</sup>		–	–	500.00	ps
T <sub>J32.75</sub>	Total jitter <sup>(2)(4)</sup>	32.75 Gb/s	–	–	0.35	UI
D <sub>J32.75</sub>	Deterministic jitter <sup>(2)(4)</sup>		–	–	0.19	UI
T <sub>J28.21</sub>	Total jitter <sup>(2)(4)</sup>	28.21 Gb/s	–	–	0.28	UI
D <sub>J28.21</sub>	Deterministic jitter <sup>(2)(4)</sup>		–	–	0.17	UI
T <sub>J16.375</sub>	Total jitter <sup>(2)(4)</sup>	16.375 Gb/s	–	–	0.28	UI
D <sub>J16.375</sub>	Deterministic jitter <sup>(2)(4)</sup>		–	–	0.17	UI
T <sub>J15.0</sub>	Total jitter <sup>(2)(4)</sup>	15.0 Gb/s	–	–	0.28	UI
D <sub>J15.0</sub>	Deterministic jitter <sup>(2)(4)</sup>		–	–	0.17	UI
T <sub>J14.1</sub>	Total jitter <sup>(2)(4)</sup>	14.1 Gb/s	–	–	0.28	UI
D <sub>J14.1</sub>	Deterministic jitter <sup>(2)(4)</sup>		–	–	0.17	UI
T <sub>J14.1</sub>	Total jitter <sup>(2)(4)</sup>	14.025 Gb/s	–	–	0.28	UI
D <sub>J14.1</sub>	Deterministic jitter <sup>(2)(4)</sup>		–	–	0.17	UI
T <sub>J13.1</sub>	Total jitter <sup>(2)(4)</sup>	13.1 Gb/s	–	–	0.28	UI
D <sub>J13.1</sub>	Deterministic jitter <sup>(2)(4)</sup>		–	–	0.17	UI
T <sub>J12.5_QPLL</sub>	Total jitter <sup>(2)(4)</sup>	12.5 Gb/s	–	–	0.28	UI
D <sub>J12.5_QPLL</sub>	Deterministic jitter <sup>(2)(4)</sup>		–	–	0.17	UI
T <sub>J12.5_CPLL</sub>	Total jitter <sup>(2)(4)</sup>	12.5 Gb/s	–	–	0.33	UI
D <sub>J12.5_CPLL</sub>	Deterministic jitter <sup>(2)(4)</sup>		–	–	0.17	UI
T <sub>J11.3_QPLL</sub>	Total jitter <sup>(2)(4)</sup>	11.3 Gb/s	–	–	0.28	UI
D <sub>J11.3_QPLL</sub>	Deterministic jitter <sup>(2)(4)</sup>		–	–	0.17	UI
T <sub>J10.3125_QPLL</sub>	Total jitter <sup>(2)(4)</sup>	10.3125 Gb/s	–	–	0.28	UI
D <sub>J10.3125_QPLL</sub>	Deterministic jitter <sup>(2)(4)</sup>		–	–	0.17	UI
T <sub>J10.3125_CPLL</sub>	Total jitter <sup>(3)(4)</sup>	10.3125 Gb/s	–	–	0.33	UI
D <sub>J10.3125_CPLL</sub>	Deterministic jitter <sup>(3)(4)</sup>		–	–	0.17	UI
T <sub>J9.953_QPLL</sub>	Total jitter <sup>(2)(4)</sup>	9.953 Gb/s	–	–	0.28	UI
D <sub>J9.953_QPLL</sub>	Deterministic jitter <sup>(2)(4)</sup>		–	–	0.17	UI
T <sub>J9.953_CPLL</sub>	Total jitter <sup>(3)(4)</sup>	9.953 Gb/s	–	–	0.33	UI
D <sub>J9.953_CPLL</sub>	Deterministic jitter <sup>(3)(4)</sup>		–	–	0.17	UI
T <sub>J8.0</sub>	Total jitter <sup>(2)(4)</sup>	8.0 Gb/s	–	–	0.32	UI
D <sub>J8.0</sub>	Deterministic jitter <sup>(2)(4)</sup>		–	–	0.17	UI
T <sub>J6.6</sub>	Total jitter <sup>(3)(4)</sup>	6.6 Gb/s	–	–	0.30	UI
D <sub>J6.6</sub>	Deterministic jitter <sup>(3)(4)</sup>		–	–	0.15	UI
T <sub>J5.0</sub>	Total jitter <sup>(3)(4)</sup>	5.0 Gb/s	–	–	0.30	UI
D <sub>J5.0</sub>	Deterministic jitter <sup>(3)(4)</sup>		–	–	0.15	UI
T <sub>J4.25</sub>	Total jitter <sup>(3)(4)</sup>	4.25 Gb/s	–	–	0.30	UI
D <sub>J4.25</sub>	Deterministic jitter <sup>(3)(4)</sup>		–	–	0.15	UI

Table 68: GTY Transceiver Transmitter Switching Characteristics (Cont'd)

Symbol	Description	Condition	Min	Typ	Max	Units
T <sub>J3.20</sub>	Total jitter <sup>(3)(4)</sup>	3.20 Gb/s <sup>(5)</sup>	–	–	0.20	UI
D <sub>J3.20</sub>	Deterministic jitter <sup>(3)(4)</sup>		–	–	0.10	UI
T <sub>J2.5</sub>	Total jitter <sup>(3)(4)</sup>	2.5 Gb/s <sup>(6)</sup>	–	–	0.20	UI
D <sub>J2.5</sub>	Deterministic jitter <sup>(3)(4)</sup>		–	–	0.10	UI
T <sub>J1.25</sub>	Total jitter <sup>(3)(4)</sup>	1.25 Gb/s <sup>(7)</sup>	–	–	0.15	UI
D <sub>J1.25</sub>	Deterministic jitter <sup>(3)(4)</sup>		–	–	0.06	UI
T <sub>J500</sub>	Total jitter <sup>(3)(4)</sup>	500 Mb/s <sup>(8)</sup>	–	–	0.10	UI
D <sub>J500</sub>	Deterministic jitter <sup>(3)(4)</sup>		–	–	0.03	UI

**Notes:**

- Using same REFCLK input with TX phase alignment enabled for up to four consecutive transmitters (one fully populated GTY Quad) at maximum line rate.
- Using QPLL\_FBDIV = 40, 20-bit internal data width. These values are NOT intended for protocol specific compliance determinations.
- Using CPLL\_FBDIV = 2, 20-bit internal data width. These values are NOT intended for protocol specific compliance determinations.
- All jitter values are based on a bit-error ratio of 10<sup>-12</sup>.
- CPLL frequency at 3.2 GHz and TXOUT\_DIV = 2.
- CPLL frequency at 2.5 GHz and TXOUT\_DIV = 2.
- CPLL frequency at 2.5 GHz and TXOUT\_DIV = 4.
- CPLL frequency at 2.0 GHz and TXOUT\_DIV = 8.

Table 69: GTY Transceiver Receiver Switching Characteristics

Symbol	Description	Condition	Min	Typ	Max	Units
F <sub>GTYRX</sub>	Serial data rate		0.500	–	F <sub>GTYMAX</sub>	Gb/s
R <sub>XSSST</sub>	Receiver spread-spectrum tracking <sup>(1)</sup>	Modulated at 33 kHz	–5000	–	0	ppm
R <sub>XRL</sub>	Run length (CID)		–	–	256	UI
R <sub>XPPMTOL</sub>	Data/REFCLK PPM offset tolerance	Bit rates ≤ 6.6 Gb/s	–1250	–	1250	ppm
		Bit rates > 6.6 Gb/s and ≤ 8.0 Gb/s	–700	–	700	ppm
		Bit rates > 8.0 Gb/s	–200	–	200	ppm
<b>SJ Jitter Tolerance<sup>(2)</sup></b>						
J <sub>T_SJ32.75</sub>	Sinusoidal jitter (QPLL) <sup>(3)</sup>	32.75 Gb/s	0.25	–	–	UI
J <sub>T_SJ28.21</sub>	Sinusoidal jitter (QPLL) <sup>(3)</sup>	28.21 Gb/s	0.30	–	–	UI
J <sub>T_SJ16.375</sub>	Sinusoidal jitter (QPLL) <sup>(3)</sup>	16.375 Gb/s	0.30	–	–	UI
J <sub>T_SJ15.0</sub>	Sinusoidal jitter (QPLL) <sup>(3)</sup>	15.0 Gb/s	0.30	–	–	UI
J <sub>T_SJ14.1</sub>	Sinusoidal jitter (QPLL) <sup>(3)</sup>	14.1 Gb/s	0.30	–	–	UI
J <sub>T_SJ13.1</sub>	Sinusoidal jitter (QPLL) <sup>(3)</sup>	13.1 Gb/s	0.30	–	–	UI
J <sub>T_SJ12.5</sub>	Sinusoidal jitter (QPLL) <sup>(3)</sup>	12.5 Gb/s	0.30	–	–	UI
J <sub>T_SJ11.3</sub>	Sinusoidal jitter (QPLL) <sup>(3)</sup>	11.3 Gb/s	0.30	–	–	UI
J <sub>T_SJ10.32_QPLL</sub>	Sinusoidal jitter (QPLL) <sup>(3)</sup>	10.32 Gb/s	0.30	–	–	UI
J <sub>T_SJ10.32_CPLL</sub>	Sinusoidal jitter (CPLL) <sup>(3)</sup>	10.32 Gb/s	0.30	–	–	UI
J <sub>T_SJ9.953_QPLL</sub>	Sinusoidal jitter (QPLL) <sup>(3)</sup>	9.953 Gb/s	0.30	–	–	UI
J <sub>T_SJ9.953_CPLL</sub>	Sinusoidal jitter (CPLL) <sup>(3)</sup>	9.953 Gb/s	0.30	–	–	UI
J <sub>T_SJ8.0</sub>	Sinusoidal jitter (CPLL) <sup>(3)</sup>	8.0 Gb/s	0.42	–	–	UI
J <sub>T_SJ6.6</sub>	Sinusoidal jitter (CPLL) <sup>(3)</sup>	6.6 Gb/s	0.44	–	–	UI
J <sub>T_SJ5.0</sub>	Sinusoidal jitter (CPLL) <sup>(3)</sup>	5.0 Gb/s	0.44	–	–	UI
J <sub>T_SJ4.25</sub>	Sinusoidal jitter (CPLL) <sup>(3)</sup>	4.25 Gb/s	0.44	–	–	UI
J <sub>T_SJ3.2</sub>	Sinusoidal jitter (CPLL) <sup>(3)</sup>	3.2 Gb/s <sup>(4)</sup>	0.45	–	–	UI
J <sub>T_SJ2.5</sub>	Sinusoidal jitter (CPLL) <sup>(3)</sup>	2.5 Gb/s <sup>(5)</sup>	0.30	–	–	UI
J <sub>T_SJ1.25</sub>	Sinusoidal jitter (CPLL) <sup>(3)</sup>	1.25 Gb/s <sup>(6)</sup>	0.30	–	–	UI
J <sub>T_SJ500</sub>	Sinusoidal jitter (CPLL) <sup>(3)</sup>	500 Mb/s <sup>(7)</sup>	0.30	–	–	UI
<b>SJ Jitter Tolerance with Stressed Eye<sup>(2)</sup></b>						
J <sub>T_TJSE3.2</sub>	Total jitter with stressed eye <sup>(8)</sup>	3.2 Gb/s	0.70	–	–	UI
J <sub>T_TJSE6.6</sub>		6.6 Gb/s	0.70	–	–	UI
J <sub>T_SJSE3.2</sub>	Sinusoidal jitter with stressed eye <sup>(8)</sup>	3.2 Gb/s	0.10	–	–	UI
J <sub>T_SJSE6.6</sub>		6.6 Gb/s	0.10	–	–	UI

**Notes:**

- Using RXOUT\_DIV = 1, 2, and 4.
- All jitter values are based on a bit error ratio of 10<sup>-12</sup>.
- The frequency of the injected sinusoidal jitter is 80 MHz.
- CPLL frequency at 3.2 GHz and RXOUT\_DIV = 2.
- CPLL frequency at 2.5 GHz and RXOUT\_DIV = 2.
- CPLL frequency at 2.5 GHz and RXOUT\_DIV = 4.
- CPLL frequency at 2.0 GHz and RXOUT\_DIV = 8.
- Composite jitter with RX equalizer enabled. DFE disabled.

## GTY Transceiver Electrical Compliance

The *UltraScale Architecture GTY Transceiver User Guide* ([UG578](#)) contains recommended use modes that ensure compliance for the protocols listed in [Table 70](#). The transceiver wizard provides the recommended settings for those use cases and for protocol specific characteristics.

Table 70: GTY Transceiver Protocol List

Protocol	Specification	Serial Rate (Gb/s)	Electrical Compliance
CAUI-4	IEEE 802.3-2012	25.78125	Compliant
28 Gb/s backplane	CEI-25G-LR	25–28.05	Compliant
Interlaken	OIF-CEI-6G, OIF-CEI-11GSR, OIF-CEI-28G-MR	4.25–25.78125	Compliant
100GBASE-KR4	IEEE 802.3bj-2014, CEI-25G-LR	25.78125	Compliant <sup>(1)</sup>
100GBASE-CR4	IEEE 802.3bj-2014, CEI-25G-LR	25.78125	Compliant <sup>(1)</sup>
50GBASE-KR4	IEEE 802.3by-2014, CEI-25G-LR	25.78125	Compliant <sup>(1)</sup>
50GBASE-CR4	IEEE 802.3by-2014, CEI-25G-LR	25.78125	Compliant <sup>(1)</sup>
25GBASE-KR4	IEEE 802.3by-2014, CEI-25G-LR	25.78125	Compliant <sup>(1)</sup>
25GBASE-CR4	IEEE 802.3by-2014, CEI-25G-LR	25.78125	Compliant <sup>(1)</sup>
OTU4 (OTL4.4) CFP2	OIF-CEI-28G-VSR	27.952493-32.75	Compliant
OTU4 (OTL4.4) CFP	OIF-CEI-11G-MR	11.18–13.1	Compliant
CAUI-10	IEEE 802.3-2012	10.3125	Compliant
nPPI	IEEE 802.3-2012	10.3125	Compliant
10GBASE-KR <sup>(2)</sup>	IEEE 802.3-2012	10.3125	Compliant
SFP+	SFF-8431 (SR and LR)	9.95328–11.10	Compliant
XFP	INF-8077i, revision 4.5	10.3125	Compliant
RXAUI	CEI-6G-SR	6.25	Compliant
XAUI	IEEE 802.3-2012	3.125	Compliant
1000BASE-X	IEEE 802.3-2012	1.25	Compliant
5.0G Ethernet	IEEE 802.3bx (PAR)	5	Compliant
2.5G Ethernet	IEEE 802.3bx (PAR)	2.5	Compliant
HiGig, HiGig+, HiGig2	IEEE 802.3-2012	3.74, 6.6	Compliant
QSGMII	QSGMII v1.2 (Cisco System, ENG-46158)	5	Compliant
OTU2	ITU G.8251	10.709225	Compliant
OTU4 (OTL4.10)	OIF-CEI-11G-SR	11.180997	Compliant
OC-3/12/48/192	GR-253-CORE	0.1555–9.956	Compliant
PCIe Gen1, 2, 3	PCI Express base 3.0	2.5, 5.0, and 8.0	Compliant
SDI <sup>(3)</sup>	SMPTE 424M-2006	0.27–2.97	Compliant
UHD-SDI <sup>(3)</sup>	SMPTE ST-2081 6G, SMPTE ST-2082 12G	6 and 12	Compliant
Hybrid memory cube (HMC)	HMC-15G-SR	10, 12.5, and 15.0	Compliant
MoSys bandwidth engine	CEI-11-SR and CEI-11-SR (overclocked)	10.3125, 15.5	Compliant
CPRI	CPRI_v_6_1_2014-07-01	0.6144–12.165	Compliant
Passive optical network (PON)	10G-EPON, 1G-EPON, NG-PON2, XG-PON, and 2.5G-PON	0.155–10.3125	Compliant
JESD204a/b	OIF-CEI-6G, OIF-CEI-11G	3.125–12.5	Compliant

*Table 70: GTY Transceiver Protocol List (Cont'd)*

<b>Protocol</b>	<b>Specification</b>	<b>Serial Rate (Gb/s)</b>	<b>Electrical Compliance</b>
Serial RapidIO	RapidIO specification 3.1	1.25–10.3125	Compliant
DisplayPort	DP 1.2B CTS	1.62–5.4	Compliant <sup>(3)</sup>
Fibre channel	FC-PI-4	1.0625–14.025	Compliant
SATA Gen1, 2, 3	Serial ATA revision 3.0 specification	1.5, 3.0, and 6.0	Compliant
SAS Gen1, 2, 3	T10/BSR INCITS 519	3.0, 6.0, and 12.0	Compliant
SFI-5	OIF-SFI5-01.0	0.625 - 12.5	Compliant
Aurora	CEI-6G, CEI-11G-LR	All rates	Compliant

**Notes:**

1. 25 dB loss at Nyquist without FEC.
2. The transition time of the transmitter is faster than the IEEE Std 802.3-2012 specification.
3. This protocol requires external circuitry to achieve compliance.

## Integrated Interface Block for Interlaken

More information and documentation on solutions using the integrated interface block for Interlaken can be found at [UltraScale Interlaken](#). The *UltraScale Architecture and Product Overview (DS890)* lists how many blocks are in each Kintex UltraScale+ FPGA. This section describes the following Interlaken configurations.

- 12 x 12.5 Gb/s protocol and lane logic mode ([Table 71](#)).
- 6 x 25.78125 Gb/s and 6 x 28.21 Gb/s protocol and lane logic mode ([Table 72](#)).
- 12 x 25.78125 Gb/s lane logic only mode ([Table 73](#)).

Kintex UltraScale+ FPGAs in the SFVB784, FFVA676, and FFVA1156 packages are only supported using the 12 x 12.5 Gb/s Interlaken configuration. See [Table 62](#) for the  $F_{GTYMAX}$  description.

**Table 71: Maximum Performance for Interlaken 12 x 12.5 Gb/s Protocol and Lane Logic Mode Designs**

Symbol	Description	Speed Grade and $V_{CCINT}$ Operating Voltages										Units
		0.90V		0.85V				0.72V				
		-3	-2	-1	-2	-1	-2	-1				
$F_{RX\_SERDES\_CLK}$	Receive serializer/deserializer clock	195.32	195.32	195.32	195.32	195.32	195.32	195.32	195.32	195.32	195.32	MHz
$F_{TX\_SERDES\_CLK}$	Transmit serializer/deserializer clock	195.32	195.32	195.32	195.32	195.32	195.32	195.32	195.32	195.32	195.32	MHz
$F_{DRP\_CLK}$	Dynamic reconfiguration port clock	250.00	250.00	250.00	250.00	250.00	250.00	250.00	250.00	250.00	250.00	MHz
		Min <sup>(1)</sup>	Max	Min <sup>(1)</sup>	Max	Min <sup>(1)</sup>	Max	Min <sup>(1)</sup>	Max	Min <sup>(1)</sup>	Max	
$F_{CORE\_CLK}$	Interlaken core clock	300.00	322.27	300.00	322.27	300.00	322.27	300.00	322.27	300.00	322.27	MHz
$F_{LBUS\_CLK}$	Interlaken local bus clock	300.00	322.27	300.00	322.27	300.00	322.27	300.00	322.27	300.00	322.27	MHz

**Notes:**

1. These are the minimum clock frequencies at the maximum lane performance.



**Table 72: Maximum Performance for Interlaken 6 x 25.78125 Gb/s and 6 x 28.21 Gb/s Protocol and Lane Logic Mode Designs**

Symbol	Description	Speed Grade and V <sub>CCINT</sub> Operating Voltages										Units
		0.90V		0.85V			0.72V					
		-3 <sup>(1)</sup>		-2 <sup>(1)</sup>	-1		-2	-1				
F <sub>RX_SERDES_CLK</sub>	Receive serializer/deserializer clock	440.79		440.79			N/A					MHz
F <sub>TX_SERDES_CLK</sub>	Transmit serializer/deserializer clock	440.79		440.79			N/A					MHz
F <sub>DRP_CLK</sub>	Dynamic reconfiguration port clock	250.00		250.00			N/A					MHz
		Min <sup>(2)</sup>	Max	Min <sup>(2)</sup>	Max	Min	Max	Min <sup>(2)</sup>	Max	Min	Max	
F <sub>CORE_CLK</sub>	Interlaken core clock	412.50 <sup>(3)</sup>	479.20	412.50 <sup>(3)</sup>	479.20	N/A		412.50	429.69	N/A		MHz
F <sub>LBUS_CLK</sub>	Interlaken local bus clock	300.00 <sup>(4)</sup>	349.52	300.00 <sup>(4)</sup>	349.52	N/A		300.00	349.52	N/A		MHz

**Notes:**

1. 6 x 28.21 mode is only supported in the -2 (V<sub>CCINT</sub>=0.85V) and -3 (V<sub>CCINT</sub>=0.90V) speed grades.
2. These are the minimum clock frequencies at the maximum lane performance.
3. The minimum value for CORE\_CLK is 451.36 MHz for the 6 x 28.21 Gb/s protocol.
4. The minimum value for LBUS\_CLK is 330.00 MHz for the 6 x 28.21 Gb/s protocol.

**Table 73: Maximum Performance for Interlaken 12 x 25.78125 Gb/s Lane Logic Only Mode Designs**

Symbol	Description	Speed Grade and V <sub>CCINT</sub> Operating Voltages						Units
		0.90V		0.85V		0.72V		
		-3		-2	-1	-2	-1	
F <sub>RX_SERDES_CLK</sub>	Receive serializer/deserializer clock	402.84		402.84		N/A		MHz
F <sub>TX_SERDES_CLK</sub>	Transmit serializer/deserializer clock	402.84		402.84		N/A		MHz
F <sub>DRP_CLK</sub>	Dynamic reconfiguration port clock	250.00		250.00		N/A		MHz
F <sub>CORE_CLK</sub>	Interlaken core clock	412.50		412.50		N/A		MHz
F <sub>LBUS_CLK</sub>	Interlaken local bus clock	349.52		349.52		N/A		MHz

## Integrated Interface Block for 100G Ethernet MAC and PCS

More information and documentation on solutions using the integrated 100 Gb/s Ethernet block can be found at [UltraScale Integrated 100G Ethernet MAC/PCS](#). The *UltraScale Architecture and Product Overview (DS890)* lists how many blocks are in each Kintex UltraScale+ FPGA.

Table 74: Maximum Performance for 100G Ethernet Designs

Symbol	Description	Speed Grade and V <sub>CCINT</sub> Operating Voltages					Units
		0.90V	0.85V		0.72V		
		-3	-2 <sup>(1)</sup>	-1	-2	-1 <sup>(2)</sup>	
F <sub>TX_CLK</sub>	Transmit clock	390.625	390.625	322.223	322.223	322.223	MHz
F <sub>RX_CLK</sub>	Receive clock	390.625	390.625	322.223	322.223	322.223	MHz
F <sub>RX_SERDES_CLK</sub>	Receive serializer/deserializer clock	390.625	390.625	322.223	322.223	322.223	MHz
F <sub>DRP_CLK</sub>	Dynamic reconfiguration port clock	250.00	250.00	250.00	250.00	250.00	MHz

**Notes:**

1. The maximum clock frequency of 390.625 MHz only applies to the CAUI-10 interface. The maximum clock frequency for the CAUI-4 interface is 322.223 MHz.
2. The CAUI-4 interface is not supported by -1L speed grade devices where V<sub>CCINT</sub>=0.72V.

## Integrated Interface Block for PCI Express Designs

More information and documentation on solutions for PCI Express designs can be found at [PCI Express](#). The *UltraScale Architecture and Product Overview (DS890)* lists how many blocks are in each Kintex UltraScale+ FPGA.

Table 75: Maximum Performance for PCI Express Designs<sup>(1)(2)</sup>

Symbol	Description	Speed Grade and V <sub>CCINT</sub> Operating Voltages					Units
		0.90V	0.85V		0.72V <sup>(3)</sup>		
		-3	-2	-1	-2	-1	
F <sub>PIPECLK</sub>	Pipe clock maximum frequency.	250.00	250.00	250.00	250.00	250.00	MHz
F <sub>CORECLK</sub>	Core clock maximum frequency.	500.00	500.00	500.00	250.00	250.00	MHz
F <sub>DRPCLK</sub>	DRP clock maximum frequency.	250.00	250.00	250.00	250.00	250.00	MHz
F <sub>MCAPCLK</sub>	MCAP clock maximum frequency.	125.00	125.00	125.00	125.00	125.00	MHz

**Notes:**

1. PCI Express Gen4 operation is supported for x1, x2, x4, and x8 widths.
2. PCI Express Gen4 operation is supported in -3E, -2E, and -2I speed grades.
3. PCI Express Gen3 x16 operation is not supported when V<sub>CCINT</sub> = 0.72V.

# System Monitor Specifications

Table 76: System Monitor Specifications

Parameter	Symbol	Comments/Conditions	Min	Typ	Max	Units
$V_{CCADC} = 1.8V \pm 3\%$ , $V_{REFP} = 1.25V$ , $V_{REFN} = 0V$ , $ADCCLK = 5.2\text{ MHz}$ , $T_j = -40^\circ\text{C}$ to $100^\circ\text{C}$ , typical values at $T_j = 40^\circ\text{C}$						
<b>ADC Accuracy<sup>(1)</sup></b>						
Resolution			10	–	–	Bits
Integral nonlinearity <sup>(2)</sup>	INL		–	–	$\pm 1.5$	LSBs
Differential nonlinearity	DNL	No missing codes, guaranteed monotonic	–	–	$\pm 1$	LSBs
Offset error		Offset calibration enabled	–	–	$\pm 2$	LSBs
Gain error			–	–	$\pm 0.4$	%
Sample rate			–	–	0.2	MS/s
RMS code noise		External 1.25V reference	–	–	1	LSBs
		On-chip reference	–	1	–	LSBs
<b>ADC Accuracy at Extended Temperatures</b>						
Resolution		$T_j = -55^\circ\text{C}$ to $125^\circ\text{C}$	10	–	–	Bits
Integral nonlinearity <sup>(2)</sup>	INL	$T_j = -55^\circ\text{C}$ to $125^\circ\text{C}$	–	–	$\pm 1.5$	LSBs
Differential nonlinearity	DNL	No missing codes, guaranteed monotonic $T_j = -55^\circ\text{C}$ to $125^\circ\text{C}$	–	–	$\pm 1$	
<b>Analog Inputs<sup>(2)</sup></b>						
ADC input ranges		Unipolar operation	0	–	1	V
		Bipolar operation	–0.5	–	+0.5	V
		Unipolar common mode range (FS input)	0	–	+0.5	V
		Bipolar common mode range (FS input)	+0.5	–	+0.6	V
Maximum external channel input ranges		Adjacent channels set within these ranges should not corrupt measurements on adjacent channels	–0.1	–	$V_{CCADC}$	V
<b>On-Chip Sensor Accuracy</b>						
Temperature sensor error <sup>(1)(3)</sup>		$T_j = -55^\circ\text{C}$ to $125^\circ\text{C}$ (with external REF)	–	–	$\pm 3$	$^\circ\text{C}$
		$T_j = -55^\circ\text{C}$ to $110^\circ\text{C}$ (with internal REF)	–	–	$\pm 3.5$	$^\circ\text{C}$
		$T_j = 110^\circ\text{C}$ to $125^\circ\text{C}$ (with internal REF)	–	–	$\pm 5$	$^\circ\text{C}$

Table 76: System Monitor Specifications (Cont'd)

Parameter	Symbol	Comments/Conditions	Min	Typ	Max	Units
Supply sensor error <sup>(4)</sup>		Supply voltages 0.72V to 1.2V, $T_j = -40^\circ\text{C}$ to $100^\circ\text{C}$ (with external REF)	–	–	$\pm 0.5$	%
		Supply voltages 0.72V to 1.2V, $T_j = -55^\circ\text{C}$ to $125^\circ\text{C}$ (with external REF)	–	–	$\pm 1.0$	%
		All other supply voltages, $T_j = -40^\circ\text{C}$ to $100^\circ\text{C}$ (with external REF)	–	–	$\pm 1.0$	%
		All other supply voltages, $T_j = -55^\circ\text{C}$ to $125^\circ\text{C}$ (with external REF)	–	–	$\pm 2.0$	%
		Supply voltages 0.72V to 1.2V, $T_j = -40^\circ\text{C}$ to $100^\circ\text{C}$ (with internal REF)	–	–	$\pm 1.0$	%
		Supply voltages 0.72V to 1.2V, $T_j = -55^\circ\text{C}$ to $125^\circ\text{C}$ (with internal REF)	–	–	$\pm 2.0$	%
		All other supply voltages, $T_j = -40^\circ\text{C}$ to $100^\circ\text{C}$ (with internal REF)	–	–	$\pm 1.5$	%
		All other supply voltages, $T_j = -55^\circ\text{C}$ to $125^\circ\text{C}$ (with internal REF)	–	–	$\pm 2.5$	%
<b>Conversion Rate<sup>(5)</sup></b>						
Conversion time—continuous	$t_{\text{CONV}}$	Number of ADCCLK cycles	26	–	32	Cycles
Conversion time—event	$t_{\text{CONV}}$	Number of ADCCLK cycles	–	–	21	Cycles
DRP clock frequency	DCLK	DRP clock frequency	8	–	250	MHz
ADC clock frequency	ADCCLK	Derived from DCLK	1	–	5.2	MHz
DCLK duty cycle			40	–	60	%
<b>SYSMON Reference<sup>(6)</sup></b>						
External reference	$V_{\text{REFP}}$	Externally supplied reference voltage	1.20	1.25	1.30	V
On-chip reference		Ground $V_{\text{REFP}}$ pin to AGND, $T_j = -40^\circ\text{C}$ to $100^\circ\text{C}$	1.2375	1.25	1.2625	V
		Ground $V_{\text{REFP}}$ pin to AGND, $T_j = -55^\circ\text{C}$ to $125^\circ\text{C}$	1.225	1.25	1.275	V

**Notes:**

1. ADC offset errors are removed by enabling the ADC automatic offset calibration feature. The values are specified for when this feature is enabled.
2. See the *Analog Input* section in the *UltraScale Architecture System Monitor User Guide* (UG580).
3. When reading temperature values directly from the PMBus interface, the SYSMON has a  $+4^\circ\text{C}$  offset due to the transfer function used by the PMBus application. For example, the external REF temperature sensor error's range of  $\pm 3^\circ\text{C}$  becomes  $+1^\circ\text{C}$  to  $+7^\circ\text{C}$  when the temperature is read through the PMBus interface.
4. Supply sensor offset and gain errors are removed by enabling the automatic offset and gain calibration feature. The values are specified for when this feature is enabled.
5. See the *Adjusting the Acquisition Settling Time* section in the *UltraScale Architecture System Monitor User Guide* (UG580).
6. Any variation in the reference voltage from the nominal  $V_{\text{REFP}} = 1.25\text{V}$  and  $V_{\text{REFN}} = 0\text{V}$  will result in a deviation from the ideal transfer function. This also impacts the accuracy of the internal sensor measurements (i.e., temperature and power supply). However, for external ratiometric type applications allowing reference to vary by  $\pm 4\%$  is permitted.

## SYSMON I2C/PMBus Interfaces

Table 77: SYSMON I2C Fast Mode Interface Switching Characteristics<sup>(1)</sup>

Symbol	Description	Min	Max	Units
$T_{SMFCKL}$	SCL Low time	1.3	–	$\mu$ s
$T_{SMFCKH}$	SCL High time	0.6	–	$\mu$ s
$T_{SMFCKO}$	SDAO clock-to-out delay	–	900	ns
$T_{SMFDCK}$	SDAI setup time	100	–	ns
$F_{SMFCLK}$	SCL clock frequency	–	400	kHz

**Notes:**

1. The test conditions are configured to the LVCMOS 1.8V I/O standard.

Table 78: SYSMON I2C Standard Mode Interface Switching Characteristics<sup>(1)</sup>

Symbol	Description	Min	Max	Units
$T_{SMSCKL}$	SCL Low time	4.7	–	$\mu$ s
$T_{SMSCKH}$	SCL High time	4.0	–	$\mu$ s
$T_{SMSCKO}$	SDAO clock-to-out delay	–	3450	ns
$T_{SMSDCK}$	SDAI setup time	250	–	ns
$F_{SMSCLK}$	SCL clock frequency	–	100	kHz

**Notes:**

1. The test conditions are configured to the LVCMOS 1.8V I/O standard.

# Configuration Switching Characteristics

Table 79: Configuration Switching Characteristics

Symbol	Description	Speed Grade and V <sub>CCINT</sub> Operating Voltages					Units	
		0.90V	0.85V		0.72V			
		-3	-2	-1	-2	-1		
<b>Power-up Timing Characteristics</b>								
T <sub>PL</sub>	Program latency.	7.5	7.5	7.5	7.5	7.5	ms, Max	
T <sub>POR</sub>	Power-on reset (40 ms maximum ramp rate).	65	65	65	65	65	ms, Max	
		0	0	0	0	0	ms, Min	
	Power-on reset with POR override (2 ms maximum ramp rate).	15	15	15	15	15	ms, Max	
		5	5	5	5	5	ms, Min	
T <sub>PROGRAM</sub>	Program pulse width.	250	250	250	250	250	ns, Min	
<b>CCLK Output (Master Mode)</b>								
T <sub>ICCK</sub>	Master CCLK output delay from INIT_B.	150	150	150	150	150	ns, Min	
T <sub>MCCKL</sub> <sup>(1)</sup>	Master CCLK clock Low time duty cycle.	40/60	40/60	40/60	40/60	40/60	%, Min/Max	
T <sub>MCCKH</sub>	Master CCLK clock High time duty cycle.	40/60	40/60	40/60	40/60	40/60	%, Min/Max	
F <sub>MCCK</sub>	Master SPI/BPI CCLK frequency.	XCKU3P, XCKU5P	125	125	125	60	60	MHz, Max
		All other devices	150	150	150	125	125	
F <sub>MCCK_START</sub>	Master CCLK frequency at start of configuration.	2.70	2.70	2.70	2.70	2.70	MHz, Typ	
F <sub>MCCKTOL</sub>	Frequency tolerance, master mode with respect to nominal CCLK.	±15	±15	±15	±15	±15	%, Max	
<b>CCLK Input (Slave Mode)</b>								
T <sub>SCCKL</sub>	Slave CCLK clock minimum Low time.	2.5	2.5	2.5	2.5	2.5	ns, Min	
T <sub>SCCKH</sub>	Slave CCLK clock minimum High time.	2.5	2.5	2.5	2.5	2.5	ns, Min	
F <sub>SCCK</sub>	Slave serial/ SelectMap CCLK frequency.	XCKU3P, XCKU5P	125	125	125	60	60	MHz, Max
		All other devices	125	125	125	125	125	
<b>EMCCLK Input (Master Mode)</b>								
T <sub>EMCCKL</sub>	External master CCLK Low time.	2.5	2.5	2.5	2.5	2.5	ns, Min	
T <sub>EMCCKH</sub>	External master CCLK High time.	2.5	2.5	2.5	2.5	2.5	ns, Min	
F <sub>EMCCK</sub>	External master CCLK frequency.	XCKU3P, XCKU5P	125	125	125	60	60	MHz, Max
		All other devices	150	150	150	125	125	
<b>Internal Configuration Access Port</b>								
F <sub>ICAPCK</sub>	Internal configuration access port (ICAPE3).	200	200	200	150	150	MHz, Max	
<b>Slave Serial Mode Programming Switching</b>								
T <sub>DCCK</sub> /T <sub>CCKD</sub>	D <sub>IN</sub> setup/hold.	3.0/0	3.0/0	3.0/0	4.0/0	4.0/0	ns, Min	
T <sub>CCO</sub>	D <sub>OUT</sub> clock to out.	8.0	8.0	8.0	9.0	9.0	ns, Max	

Table 79: Configuration Switching Characteristics (Cont'd)

Symbol	Description	Speed Grade and V <sub>CCINT</sub> Operating Voltages					Units	
		0.90V		0.85V		0.72V		
		-3	-2	-1	-2	-1		
<b>SelectMAP Mode Programming Switching</b>								
T <sub>SMDCCK</sub> /T <sub>SMCCKD</sub>	D[31:00] setup/hold.	XCKU3P, XCKU5P	4.5/0	4.5/0	4.5/0	8.0/0	8.0/0	ns, Min
		All other devices	3.5/0	3.5/0	3.5/0	4.5/0	4.5/0	
T <sub>SMCSCCK</sub> /T <sub>SMCCKCS</sub>	CSI_B setup/hold.	XCKU3P, XCKU5P	4.5/0	4.5/0	4.5/0	7.0/0	7.0/0	ns, Min
		All other devices	4.0/0	4.0/0	4.0/0	5.0/0	5.0/0	
T <sub>SMWCCK</sub> /T <sub>SMCCKW</sub>	RDWR_B setup/hold.	XCKU3P, XCKU5P	10.0/0	10.0/0	10.0/0	17.0/0	17.0/0	ns, Min
		All other devices	10.0/0	10.0/0	10.0/0	11.0/0	11.0/0	
T <sub>SMCKCSO</sub>	CSO_B clock to out (330Ω pull-up resistor required).	XCKU3P, XCKU5P	7.0	7.0	7.0	10.0	10.0	ns, Max
		All other devices	7.0	7.0	7.0	7.0	7.0	
T <sub>SMCO</sub>	D[31:00] clock to out in readback.	XCKU3P, XCKU5P	8.0	8.0	8.0	10.0	10.0	ns, Max
		All other devices	8.0	8.0	8.0	8.0	8.0	
F <sub>RBCK</sub>	Readback frequency.	XCKU3P, XCKU5P	125	125	125	60	60	MHz, Max
		All other devices	125	125	125	125	125	
<b>Boundary-Scan Port Timing Specifications</b>								
T <sub>TAPTCK</sub> /T <sub>TCKTAP</sub>	TMS and TDI setup/hold.		3.0/ 2.0	3.0/ 2.0	3.0/ 2.0	3.0/ 2.0	3.0/ 2.0	ns, Min
T <sub>TCKTDO</sub>	TCK falling edge to TDO output.		7.0	7.0	7.0	7.0	7.0	ns, Max
F <sub>TCK</sub>	TCK frequency.	XCKU15P	66	66	66	50	50	MHz, Max
		All other devices	66	66	66	66	66	
<b>BPI Master Flash Mode Programming Switching</b>								
T <sub>BPICCO</sub>	A[28:00], RS[1:0], FCS_B, FOE_B, FWE_B, ADV_B clock to out.		10	10	10	10	10	ns, Max
T <sub>BPIDCC</sub> /T <sub>BPICCD</sub>	D[15:00] setup/hold.	XCKU3P, XCKU5P	4.5/0	4.5/0	4.5/0	8.0/0	8.0/0	ns, Min
		All other devices	3.5/0	3.5/0	3.5/0	4.5/0	4.5/0	
<b>SPI Master Flash Mode Programming Switching</b>								
T <sub>SPIDCC</sub> /T <sub>SPICCD</sub>	D[03:00] setup/hold.		3.0/0	3.0/0	3.0/0	4.0/0	4.0/0	ns, Min
T <sub>SPIDCC</sub> /T <sub>SPICCD</sub>	D[07:04] setup/hold.	XCKU3P, XCKU5P	4.5/0	4.5/0	4.5/0	8.0/0	8.0/0	ns, Min
		All other devices	3.5/0	3.5/0	3.5/0	4.5/0	4.5/0	
T <sub>SPICCM</sub>	MOSI clock to out.		8.0	8.0	8.0	8.0	8.0	ns, Max
T <sub>SPICFC</sub>	FCS_B clock to out.		8.0	8.0	8.0	8.0	8.0	ns, Max
<b>DNA Port Switching</b>								
F <sub>DNACK</sub>	DNA port frequency.		200	200	200	175	175	MHz, Max
<b>STARTUPE3 Ports</b>								
T <sub>USRCCLKO</sub>	STARTUPE3 USRCCLKO input port to CCLK pin output delay.		0.25/ 6.00	0.25/ 6.50	0.25/ 7.50	0.25/ 9.00	0.25/ 9.00	ns, Min/Max
T <sub>DO</sub>	DO[3:0] ports to D03-D00 pins output delay.		0.25/ 6.70	0.25/ 7.70	0.25/ 8.40	0.25/ 10.00	0.25/ 10.00	ns, Min/Max
T <sub>DTS</sub>	DTS[3:0] ports to D03-D00 pins 3-state delays.		0.25/ 6.70	0.25/ 7.70	0.25/ 8.40	0.25/ 10.00	0.25/ 10.00	ns, Min/Max

**Table 79: Configuration Switching Characteristics (Cont'd)**

Symbol	Description	Speed Grade and V <sub>CCINT</sub> Operating Voltages					Units
		0.90V	0.85V		0.72V		
		-3	-2	-1	-2	-1	
T <sub>FCSBO</sub>	FCSBO port to FCS_B pin output delay.	0.25/ 6.90	0.25/ 7.50	0.25/ 8.40	0.25/ 9.80	0.25/ 9.80	ns, Min/Max
T <sub>FCSBTS</sub>	FCSBTS port to FCS_B pin 3-state delay.	0.25/ 6.90	0.25/ 7.50	0.25/ 8.40	0.25/ 9.80	0.25/ 9.80	ns, Min/Max
T <sub>USRDONEO</sub>	USRDONEO port to DONE pin output delay.	0.25/ 8.60	0.25/ 9.40	0.25/ 10.50	0.25/ 12.10	0.25/ 12.10	ns, Min/Max
T <sub>USRDONETS</sub>	USRDONETS port to DONE pin 3-state delay.	0.25/ 8.60	0.25/ 9.40	0.25/ 10.50	0.25/ 12.10	0.25/ 12.10	ns, Min/Max
T <sub>DI</sub>	D03-D00 pins to DI[3:0] ports input delay.	0.5/ 2.6	0.5/ 3.1	0.5/ 3.5	0.5/ 4.0	0.5/ 4.0	ns, Min/Max
F <sub>CFGMCLK</sub>	STARTUPE3 CFGMCLK output frequency.	50	50	50	50	50	MHz, Typ
F <sub>CFGMCLKTOL</sub>	STARTUPE3 CFGMCLK output frequency tolerance.	±15	±15	±15	±15	±15	%, Max
T <sub>DCI_MATCH</sub>	Specifies a stall in the startup cycle until the digitally controlled impedance (DCI) match signals are asserted.	4	4	4	4	4	ms, Max

**Notes:**

1. When the CCLK is sourced from the EMCCLK pin with a divide-by-one setting, the external EMCCLK must meet this duty-cycle requirement.

## Revision History

The following table shows the revision history for this document.

Date	Version	Description of Revisions
06/26/2017	1.4	Updated <a href="#">Table 20</a> , <a href="#">Table 21</a> , and <a href="#">Table 22</a> to production release for the following devices/speed/temperature grades in Vivado Design Suite 2017.2. XCKU13P: -2E, -2I, -1E, -1I Updated <a href="#">Note 11</a> in <a href="#">Table 2</a> for clarity. Revised the -3E and -1LI/-2LE (V <sub>CCINT</sub> = 0.72V) speed files in <a href="#">Table 28</a> , <a href="#">Table 29</a> , <a href="#">Table 30</a> , <a href="#">Table 40</a> , <a href="#">Table 41</a> , <a href="#">Table 42</a> , <a href="#">Table 43</a> , <a href="#">Table 44</a> . Updated the F <sub>MAX</sub> symbol names and values in <a href="#">Table 34</a> . Added <a href="#">Note 1</a> to <a href="#">Table 36</a> . Added <a href="#">Note 3</a> to <a href="#">Table 75</a> .
05/08/2017	1.3	Updated <a href="#">Table 21</a> and <a href="#">Table 22</a> to production release for the following devices/speed/temperature grades in Vivado Design Suite 2017.1. XCKU9P: -2E, -2I, -1E, -1I Removed the MIPI_DPHY_DCI_LP standard from <a href="#">Table 9</a> (HD I/O banks never supported DCI). Revised the minimum 32.75 Gb/s sinusoidal jitter in <a href="#">Table 69</a> .



Date	Version	Description of Revisions
04/11/2017	1.2	<p>Updated the <a href="#">Summary</a> description. In <a href="#">Table 1</a>, updated and added data, and updated <a href="#">Note 7</a>, added <a href="#">Note 8</a>, <a href="#">Note 9</a>, and <a href="#">Note 10</a>. Updated and added data to <a href="#">Table 2</a>, revised <a href="#">Note 11</a> and added <a href="#">Note 12</a> and <a href="#">Note 13</a>. Updated <a href="#">Table 3</a> and added <a href="#">Note 6</a>. Added specifications to <a href="#">Table 4</a> through <a href="#">Table 6</a>. Updated maximum <math>V_{ICM}</math> and <a href="#">Note 1</a> in <a href="#">Table 18</a>. Updated the maximum <math>V_{ODIFF}</math> in <a href="#">Table 19</a>.</p> <p>Updated <a href="#">Table 20</a>, <a href="#">Table 21</a>, and <a href="#">Table 22</a> to production release for the following devices/speed/temperature grades in Vivado Design Suite 2017.1.  XCKU3P: -2E, -2I, -1E, -1I  XCKU5P: -2E, -2I, -1E, -1I</p> <p>Added <a href="#">Note 1</a> to <a href="#">Table 21</a>. Updated <a href="#">Table 23</a>. Updated <a href="#">Table 24</a> and added <a href="#">Note 2</a>. Added <a href="#">Table 25</a>. Updated <a href="#">Table 27</a> and added <a href="#">Note 3</a>. Many revisions to the speed specifications in <a href="#">Table 28</a>, <a href="#">Table 29</a>, <a href="#">Table 30</a>, <a href="#">Table 33</a>, <a href="#">Table 34</a>, <a href="#">Table 35</a>, <a href="#">Table 40</a>, <a href="#">Table 41</a>, <a href="#">Table 42</a>, <a href="#">Table 43</a>, <a href="#">Table 44</a>, and <a href="#">Table 45</a>. Updated <math>V_L</math> and <math>V_H</math> values in <a href="#">Table 31</a>. In <a href="#">Table 35</a>, added <math>T_{MINPER\_CLK}</math> and <a href="#">Note 1</a>, and revised <math>F_{REFCLK}</math>. Added <math>MMCM\_F_{DPRCLK\_MAX}</math> to <a href="#">Table 38</a> and <math>PLL\_F_{DPRCLK\_MAX}</math> to <a href="#">Table 39</a>. Updated <a href="#">Table 46</a>. Revised the <a href="#">GTH Transceiver Specifications</a> and <a href="#">GTH Transceiver Specifications</a> sections. Revised the <a href="#">Integrated Interface Block for Interlaken</a> and <a href="#">Integrated Interface Block for 100G Ethernet MAC and PCS</a> sections. Updated the <a href="#">System Monitor Specifications</a> section including <a href="#">On-Chip Sensor Accuracy</a> and adding <a href="#">Note 3</a> to <a href="#">Table 76</a>. Removed timing diagrams from the <a href="#">SYSMON I2C/PMBus Interfaces</a> section. Updated the <a href="#">Configuration Switching Characteristics</a> section. Removed the <i>eFUSE Programming Conditions</i> table and added the specifications to <a href="#">Table 2</a> and <a href="#">Table 3</a>. Updated <a href="#">Table 79</a>. Updated the <a href="#">Automotive Applications Disclaimer</a>.</p>
05/09/2016	1.1	<p>In <a href="#">Table 1</a> revised <math>V_{IN}</math> for HP I/O banks. Updated <a href="#">Note 5</a> in <a href="#">Table 3</a>. Added values to <a href="#">Table 7</a>. Added <math>MIPI\_DPHY\_DCI</math> to <a href="#">Table 9</a>, <a href="#">Table 10</a>, and <a href="#">Table 12</a>. Updated and added notes in <a href="#">Table 18</a> and <a href="#">Table 19</a>. Updated <a href="#">Table 20</a> speed specifications for Vivado Design Suite 2016.1. Removed <a href="#">Table 23</a>, <i>Video Codec Unit Performance</i>. Updated <a href="#">Table 24</a>. Expanded and updated <a href="#">Table 27</a>. Updated <a href="#">Table 28</a> and <a href="#">Table 29</a>. Updated <a href="#">Table 31</a> and <a href="#">Table 32</a> with MIPI D-PHY values. Updated <a href="#">Table 31</a> and <a href="#">Table 32</a>. In <a href="#">Table 33</a>, added the <a href="#">Block RAM and FIFO Clock-to-Out Delays</a> section. Updated <a href="#">Table 40</a> to <a href="#">Table 44</a>. Revised the symbol names in <a href="#">Table 43</a>. Revised typical values in <a href="#">Table 48</a>. Updated the -2 (0.72V) and -1 (0.72V) values in <a href="#">Table 50</a>. Added <a href="#">Table 53</a> and <a href="#">Table 65</a>. Added <a href="#">Note 2</a> to <a href="#">Table 59</a>. Revised <a href="#">Table 67</a>. Revised data and added notes to <a href="#">Table 62</a>, <a href="#">Table 71</a>, and <a href="#">Table 74</a>. Revised INL in <a href="#">Table 76</a>. Added notes to <a href="#">Table 77</a> and <a href="#">Table 78</a>. Many revised sections in <a href="#">Table 79</a>.</p>
11/24/2015	1.0	Initial Xilinx release.

## Notice of Disclaimer

The information disclosed to you hereunder (the "Materials") is provided solely for the selection and use of Xilinx products. To the maximum extent permitted by applicable law: (1) Materials are made available "AS IS" and with all faults, Xilinx hereby DISCLAIMS ALL WARRANTIES AND CONDITIONS, EXPRESS, IMPLIED, OR STATUTORY, INCLUDING BUT NOT LIMITED TO WARRANTIES OF MERCHANTABILITY, NON-INFRINGEMENT, OR FITNESS FOR ANY PARTICULAR PURPOSE; and (2) Xilinx shall not be liable (whether in contract or tort, including negligence, or under any other theory of liability) for any loss or damage of any kind or nature related to, arising under, or in connection with, the Materials (including your use of the Materials), including for any direct, indirect, special, incidental, or consequential loss or damage (including loss of data, profits, goodwill, or any type of loss or damage suffered as a result of any action brought by a third party) even if such damage or loss was reasonably foreseeable or Xilinx had been advised of the possibility of the same. Xilinx assumes no obligation to correct any errors contained in the Materials or to notify you of updates to the Materials or to product specifications. You may not reproduce, modify, distribute, or publicly display the Materials without prior written consent. Certain products are subject to the terms and conditions of Xilinx's limited warranty, please refer to Xilinx's Terms of Sale which can be viewed at [www.xilinx.com/legal.htm#tos](http://www.xilinx.com/legal.htm#tos); IP cores may be subject to warranty and support terms contained in a license issued to you by Xilinx. Xilinx products are not designed or intended to be fail-safe or for use in any application requiring fail-safe performance; you assume sole risk and liability for use of Xilinx products in such critical applications, please refer to Xilinx's Terms of Sale which can be viewed at [www.xilinx.com/legal.htm#tos](http://www.xilinx.com/legal.htm#tos).

## Automotive Applications Disclaimer

AUTOMOTIVE PRODUCTS (IDENTIFIED AS "XA" IN THE PART NUMBER) ARE NOT WARRANTED FOR USE IN THE DEPLOYMENT OF AIRBAGS OR FOR USE IN APPLICATIONS THAT AFFECT CONTROL OF A VEHICLE ("SAFETY APPLICATION") UNLESS THERE IS A SAFETY CONCEPT OR REDUNDANCY FEATURE CONSISTENT WITH THE ISO 26262 AUTOMOTIVE SAFETY STANDARD ("SAFETY DESIGN"). CUSTOMER SHALL, PRIOR TO USING OR DISTRIBUTING ANY SYSTEMS THAT INCORPORATE PRODUCTS, THOROUGHLY TEST SUCH SYSTEMS FOR SAFETY PURPOSES. USE OF PRODUCTS IN A SAFETY APPLICATION WITHOUT A SAFETY DESIGN IS FULLY AT THE RISK OF CUSTOMER, SUBJECT ONLY TO APPLICABLE LAWS AND REGULATIONS GOVERNING LIMITATIONS ON PRODUCT LIABILITY.