



These errata apply **ONLY** to Spartan-3 XC3S50 FPGAs, including both production devices and engineering samples. These errata **DO NOT** apply to any other Spartan-3 FPGA. If using a different Spartan-3 FPGA, check for errata specific to that device.

Thank you for your interest in Spartan-3 XC3S50 devices. Although Xilinx has made every effort to ensure that these devices are of the highest possible quality, these devices are subject to the limitations described in the following errata. Please review these errata to ensure that XC3S50 FPGA devices meet your application requirements. Xilinx wants you to know about any known issues that may potentially affect your Spartan-3 application. This notice also includes [advisories](#) on the latest Spartan-3 design practices.

If using an XC3S50J FPGA, please consult the separate errata for XC3S50J and XC3S1000J FPGA devices.

Obtaining the Most-Recent Errata Version

By its very nature, an errata notification is a living document and is subject to updates based on recent findings. If this document is printed or saved locally in electronic form, please check for the most recent release, available to registered users via the Xilinx web site.

http://www.xilinx.com/xlnx/xweb/xil_publications_display.jsp?category=-1210888

Devices Affected by This Errata

These errata only apply to the XC3S50 FPGA as shown in [Table 1](#). Both engineering sample (ES) and production silicon (no ES marking) are affected. The [errata details](#) may further limit the class of devices affected by a specific issue.

Table 1: Spartan-3 XC3S50 FPGAs Affected by This Errata

Device Types:	XC3S50
Packages:	All
Speed Grades:	All
Date Codes:	All

How to Identify an Affected Device

These errata affect all Spartan-3 FPGAs marked with an “XC3S50” device type. XC3S50 FPGAs are produced at two different facilities. The latest mask set, which is errata free, is fabricated at the UMC 300 mm wafer facility using 90 nm process technology and has an “EGQ” mask/fabrication/process code. The previous revision ‘B’ mask set is also fabricated at the UMC 300 mm wafer facility, also using 90 nm process technology and uses a “BGQ” mask/fabrication/process code. Devices fabricated at the UMC 200 mm wafer facility using 90 nm process technology have a “BFQ” mask/fabrication/process code, as indicated in [Table 2](#). For more details see [XCN05009, Addition of UMC 300 mm Wafer Fabrication for Spartan-3 Family](#).

Table 2: Spartan-3 Production Facilities, Mask, and Fabrication/Process Codes

Production Facility	Mask Revisions	Fabrication/Process Code	Example Top Mark
UMC 200 mm, 90 nm (8D)	A	FQ	Figure 1
	B		Figure 1
UMC 300 mm, 90 nm (12A)	A	GQ	Not Applicable
	B		Figure 2
	E		Figure 2

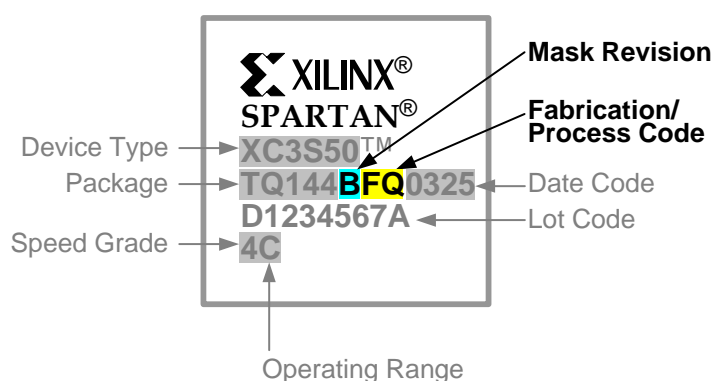


Figure 1: Spartan-3 FPGA from UMC 200 mm facility with “FQ” Fabrication/Process Code Marking

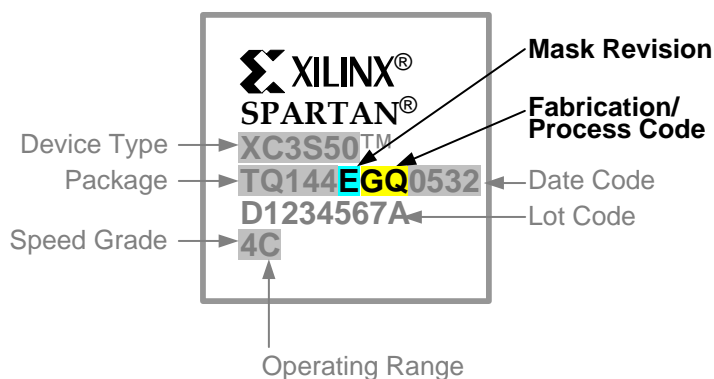


Figure 2: Spartan-3 FPGA from UMC 300 mm facility with “GQ” Fabrication/Process Code Marking

Hardware Errata Summary

Table 3 summarizes the known hardware issues with the XC3S50 FPGA. See [“Hardware Errata Details”](#) for a detailed description of each known issue. Table 3 also shows which mask revision is affected by a particular errata item.

Table 3: Hardware Errata Summary

Errata Issue	Mask/Fabrication/Process Code		
	“AFQ” “BFQ”	“AGQ”	“EGQ”
Some Power Up Sequences where the VCCINT Supply Powers Up Last May Fail to Configure	Applies	N/A	N/A
Readback Feature Not Available on Devices with “GQ” Fabrication/Process Code Marking Built Before Date Code “0532”	N/A	Applies	N/A for devices with “0532” date code or later
Mask Revision	Initial	Revised	Latest

N/A=Not Applicable

Hardware Errata Details

This section provides a detailed description of each hardware issue known at the release time of this document.

Some Power Up Sequences where the VCCINT Supply Powers Up Last May Fail to Configure

Applications Affected by This Issue

This issue potentially affects some applications where the VCCINT power supply is the last supply to reach its Power-On Reset (POR) voltage threshold. This issue only affects devices with the “FQ” fabrication/process code, as indicated in [Table 4](#).

Applications where VCCINT reaches its POR threshold first or second are not affected.

Table 4: Spartan-3 XC3S50 FPGAs Affected by the VCCINT Supply Sequence Issue

Device Types:	XC3S50
Mask Revision Codes:	A or B
Fabrication/Process Codes:	FQ only
Packages:	All
Speed Grades:	All
Date Codes:	All

Description of Issue

Three voltage-supply inputs—VCCINT, VCCAUX and the VCCO supply to Bank 4—control the behavior of the Spartan-3 Power On Reset (POR) circuit. When applying power, a Power-On Reset (POR) circuit within the FPGA monitors each of these three rails. Once the voltages on each of the three rails exceed their respective POR thresholds, the POR circuit allows the FPGA to continue with its configuration process.

In the potentially failing condition, the VCCINT supply must be the last supply to reach its valid POR voltage and the ramp rate must be slower than 500 μ S. When the FPGA fails to configure, the INIT_B remains Low and the FPGA ignores the PROG_B program pin. Even with the worst identified power sequence, actual failures only occur on a small percentage of devices, typically measured in parts per million. The issue is more pronounced at cold temperatures.

Correction/Workaround/Resolution

OPTION 1: Use Spartan-3 FPGAs fabricated from the 300 mm production facility or specially-screened FPGAs from the 200 mm production facility.

If the application requires FPGAs from the 200 mm production facility—which is unlikely for most applications—then specially-screened 200 mm Spartan-3 FPGAs can be ordered by appending “0961” to the standard Xilinx part number.

OPTION 2: Use a power-on sequence where VCCINT is not the last supply to reach its POR threshold level.

VCCINT must reach its maximum POR threshold ($V_{CCINTT} = 1.0V$) before or coincident with VCCAUX reaching its minimum threshold ($V_{CCAUXT} = 0.8V$). This supply sequence and threshold relationship is illustrated in [Figure 3](#).

Alternatively, VCCINT must reach its maximum POR threshold ($V_{CCINTT} = 1.0V$) before or coincident with VCCO_4 supplying I/O bank 4 reaching its minimum threshold ($V_{CCO4T} = 0.4V$). This supply sequence and threshold relationship is also illustrated in [Figure 3](#).

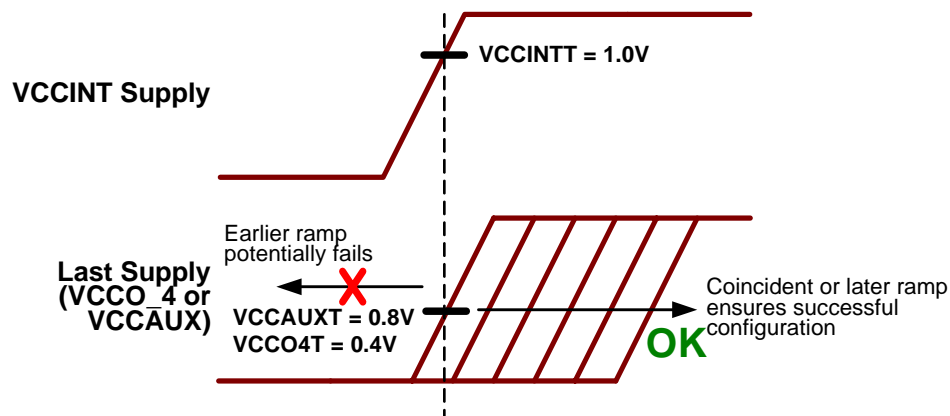


Figure 3: Requirements when VCCINT is not the Last Supply

The lowest power-consuming sequence is to apply VCCAUX before or coincident with VCCINT, then VCCINT followed by VCCO_4. If VCCINT is applied before VCCAUX, the VCCINT supply consumes a surplus current until the VCCAUX supply reaches its maximum POR threshold, VCCAUXT. This additional current is a few hundred to several hundred milliamps (mA). This additional current is not required for successful configuration and the surplus current disappears when VCCAUX is applied.

Power-sequencing restrictions apply neither for the VCCO supplies to I/O Banks 0 through 3 nor for the VCCO supplies to I/O Banks 5 through 7, as these voltage rails are not inputs to the POR circuit.

OPTION 3: In a system that requires that the VCCINT supply is last in the power-up sequence, ensure that it ramps to its maximum POR threshold voltage ($V_{CCINTT} = 1.0V$) in less than $< 500 \mu S$, as shown in [Figure 4](#).

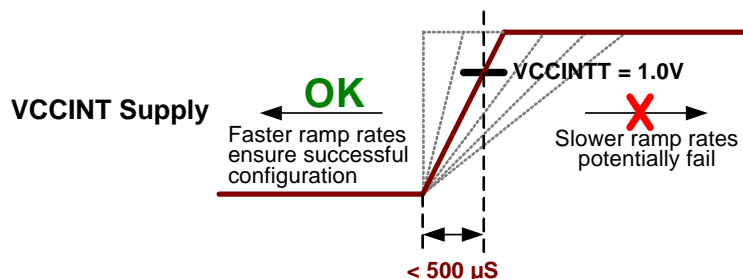


Figure 4: Use Faster VCCINT Ramp Rate if VCCINT is Last Supply

Readback Feature Not Available on Devices with “GQ” Fabrication/Process Code Marking Built Before Date Code “0532”

Applications Affected by This Issue

This issue only applies to those designs using the Readback feature on the XC3S50 FPGAs shown in [Table 5](#) with a “BGQ” Fabrication/Process Code marking, as shown in [Figure 2](#).

Table 5: Spartan-3 XC3S50 FPGAs Affected by the Readback Issue

Device Types:	XC3S50
Mask Revision Codes:	B (any date code) and E with date codes prior to “0532”
Fabrication/Process Codes:	GQ only
Packages:	All
Speed Grades:	All
Date Codes:	All

This issue affects all manifestations of device readback, including Slave Parallel and Master Parallel readback and JTAG readback. Otherwise, the XC3S50 FPGA functions normally.

Description of Issue

The readback feature is not available for the devices indicated in [Table 5](#).

Correction/Workaround/Resolution

XC3S50 FPGAs with an “FQ” Fabrication/Process Code marking fully support the Readback feature. Similarly, XC3S50 FPGAs with an “EGQ” Mask/Fabrication/Process Code marking and with a Date Code of “0532” or later fully support Readback.

Advisories

This section advises designers of any potential software changes that may affect their XC3S50 FPGA applications. [Table 6](#) summarizes the advisories and indicates which software update will correct the issue.

Table 6: Advisories and Software Update

Advisory	ISE Version
Bitstream Update Required using ISE 6.3i, Service Pack 1 (SP1) or Later	ISE 6.3i, Service Pack 1
New FACTORY_JF Settings Required for Spartan-3 DCMs	ISE 8.2i

Bitstream Update Required using ISE 6.3i, Service Pack 1 (SP1) or Later

Spartan-3 block RAM internal timing is controlled by settings in the FPGA configuration bitstream. Through yield analysis, new optimal bitstream settings were identified for specific Spartan-3 device types. These new settings improve the block RAM internal timing margin, which consequently improves overall product yield and availability. **These new settings do not affect any timing in the FPGA application**, only internal timing relationships within the block RAM. The specific improved internal block RAM timing path is the relationship between the write-enable timing and the input latch-enable timing.

These new bitstream settings are now the default settings starting with Xilinx ISE 6.3i, Service Package 1, available for download from the Xilinx web site after September 13, 2004. XC3S50 FPGAs are tested using these new bitstream settings beginning with date codes “0433”, corresponding to Work Week 33 of 2004. [Figure 5](#) shows an example top marking for a Spartan-3 FPGA. The relevant fields to identify an affected device are highlighted and include the **Device Type** and the **Date Code**.

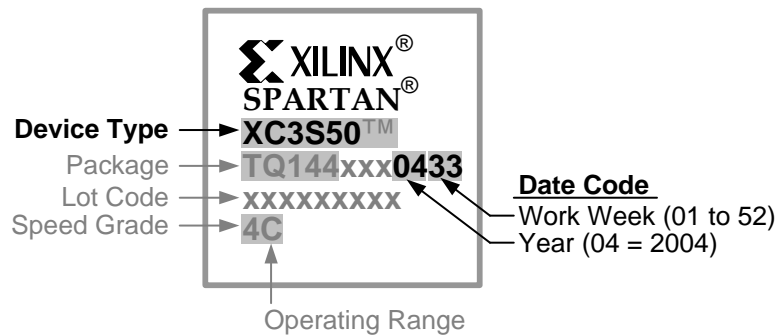


Figure 5: Example Spartan-3 Package Markings

Please regenerate any Spartan-3 FPGA configuration bitstreams created using software versions prior to Xilinx ISE 6.3i development software, Service Pack 1. By updating the bitstream, the application can use any existing or future production Spartan-3 FPGA device.

New FACTORY_JF Settings Required for Spartan-3 DCMs

Applications Affected by This Issue

This issue potentially affects applications that use Digital Clock Managers (DCMs). This issue only affects an application if and only if ...

- The application uses one or more DCMs
- One of the DCMs uses phase shifting, either fixed or variable mode.
- The phase shift is negative, or very slightly positive (< 600 ps).

Unless a design meets these exact criteria, this issue can be safely ignored.

Description of Issue

The DCM automatically compensates for process, voltage, and temperature (PVT) changes and consequently it periodically updates its delay tap settings. The rate at which the update occurs is controlled by an internal attribute called FACTORY_JF. Xilinx has identified an optimal FACTORY_JF setting value (FACTORY_JF=8080). Other settings may potentially fail to track properly over process, voltage, and temperature.

Without using the optimal settings, the DCM could potentially, with low probability, fail to assert the LOCKED output, could lose lock, or could produce erroneous clock outputs.

Correction/Workaround/Resolution

The new optimal settings are applied starting with Xilinx ISE 8.2i. If using an earlier version, modify the new FACTORY_JF=8080 settings on each DCM instantiated in the design. [Table 7](#) shows the best available options to update the DCM settings, depending on current design status.

Table 7: Options for Updated FACTORY_JF DCM Setting

Method	Design Status	Steps After Editing
FPGA Editor	Design complete, no further edits planned	Rerun Bitstream Generator
Constraints File	Design in progress	Rerun Design Implementation
VHDL or Verilog Source Code	Design in progress	Rerun complete flow

FPGA Editor

If the design is complete, with no further edits planned, then FPGA Editor offers the easiest method to update the FACTORY_JF setting.

Invoke the FPGA Editor. On Windows PCs, select **Start → Xilinx ISE 6 → Accessories → FPGA Editor**.

- Select **File → Open**. Select the *.ncd file for the completed design. Set the **Edit Mode** to "Read Write" mode as shown in [Figure 6](#).

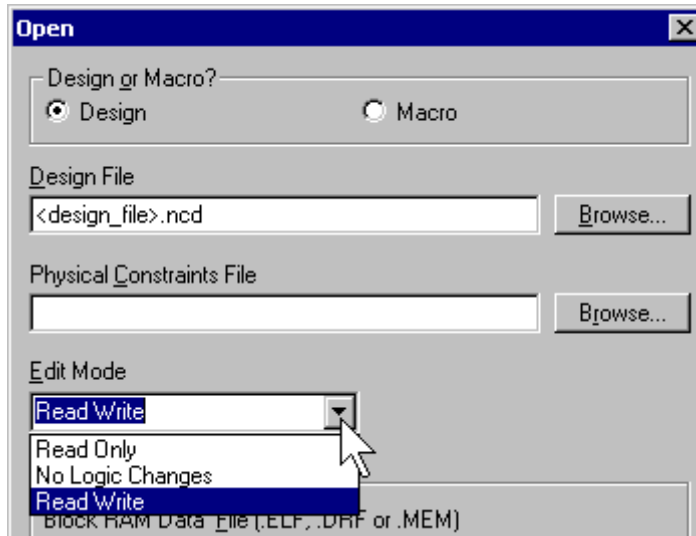


Figure 6: Enable User Editing in FPGA Editor

- For each DCM used in the design ...
 - Select the DCM block using the cursor.
 - Click 'editblock' from the right-most command button bar.
 - Click the Edit Mode button from the icon bar, as shown in [Figure 7](#).



Figure 7: Click "Edit Mode" Button to Change DCM Settings

- Check the two 0X80 options for the FACTORY_JF DCM attribute, as shown in [Figure 8](#).

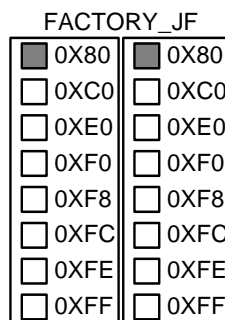


Figure 8: Edit Block View of DCM FACTORY_JF Settings

- After all DCMs are modified, save the design.
- Re-run the Bitstream Generator.

Constraints File

An easy option for designs in progress is to apply a user constraint. Edit an existing user constraints file (UCF) or create a new file and add the following constraint for every DCM used in the design.

```
INST <dcm_inst> FACTORY_JF = "8080";
```

VHDL

When using VHDL, update the FACTORY_JF values in both the DCM component declaration and in all component instantiations of the DCM. The following code snippet provides an example for XST VHDL. The VHDL source for other logic synthesis packages may vary slightly.

```
component DCM    -- DCM component declaration
  generic(
    . . .
    FACTORY_JF : bit_vector :=  x"8080";
    . . .
  );
. . .

DCM_INST : DCM    -- DCM instantiation
  generic map(
    . . .
    FACTORY_JF => x"8080",
    . . .
  )
```

Verilog

When using Verilog, update the FACTORY_JF values as shown in the following XST Verilog code snippet.

```
DCM DCM_INST (
    . . .
);

. . .
// synthesis attribute FACTORY_JF of DCM_INST is "8080"
. . .
// synopsys translate_off
. . .
defparam DCM_INST.FACTORY_JF = 16'h8080;
. . .
// synopsys translate_on
```

Clock Wizard

The Clock Wizard architecture wizard automatically generates a VHDL or Verilog description of a DCM design based on user input. If using Clock Wizard, update the HDL source as shown in the VHDL or Verilog examples above. Be forewarned that Clock Wizard overwrites the source file each time Clock Wizard is executed.

Other References

- **Answer Record #21559: What is the correct value for the FACTORY_JF attribute?**
http://www.xilinx.com/xlnx/xil_ans_display.jsp?getPagePath=21559

Design Software Requirements

The devices covered by these errata require the following Xilinx development software installations to create bitstream programming files.

- Xilinx ISE 8.2i or later
(updates are available at the following web link)

www.xilinx.com/xlnx/xil_sw_updates_home.jsp

Additional Questions or Clarifications

If additional questions arise regarding these errata, please contact your local Xilinx field application engineer (FAE) or sales representative. Alternatively, please contact Xilinx Technical Support.

www.xilinx.com/company/contact.htm

Alternatively, please visit the Xilinx MySupport web site.

www.xilinx.com/support/mysupport.htm

Revision History

Date	Version No.	Description
8-JUN-2004	1.0	Initial release.
20-DEC-2004	2.2	Added VCCINT Supply Sequence issue. Added Readback issue. Added information about the top markings indicating the mask revision, fabrication facility, and process technology for a given Spartan-3 FPGA. Clarified which erratum applies to which mask revision . Added the advisory about the Block RAM Bitstream Change implemented in ISE 6.3i, SP1. Added advisory on New DCM FACTORY JF Settings .
7-JAN-2005	2.3	Added the mask 'A' revision for devices manufactured at the UMC 200 mm, 90 nm facility (8D) to Table 2 . Updated the Correction/Workaround/Resolution section of the VCCINT Supply Sequence issue as this issue was removed for devices manufactured at the UMC 300 mm, 90 nm facility (12A).
8-AUG-2005	2.4.1	Updated Table 2 and Table 3 to add mask revision 'E', which is errata-free for FPGAs with date codes of "0532" or later. Updated Readback because this issue is corrected for mask revision 'E' devices with date codes of "0532" or later. Updated workarounds section of VCCINT Supply Sequence issue to clearly define available options. Updated the advisory on New DCM FACTORY JF Settings to clarify the conditions when the new settings are required.
14-DEC-2006	2.5	Added link to XC3S5009 for details regarding addition of 300 mm fab. Updated New DCM FACTORY JF Settings to note that ISE 8.2i automatically includes the new settings.