

## Introduction

This product specification defines the architecture, hardware (signal) interface, software (register) interface and parameterization options for the LogiCORE™ IP AXI IIC Bus Interface module. This module connects to the Advanced Microcontroller Bus Architecture (AMBA®) specification's Advanced eXtensible Interface (AXI) and provides a low-speed, two-wire, serial bus interface to a large number of popular devices. AXI IIC supports all features, except high-speed mode, of the *Philips I<sup>2</sup>C-Bus Specification* [Ref 1]. (See [Specification Exceptions](#) for details.)

## Features

- AXI interface is based on the AXI4-Lite interface
- Master or slave operation
- Multi-master operation
- Software selectable acknowledge bit
- Arbitration lost interrupt with automatic mode switching from master to slave
- Calling address identification interrupt with automatic mode switching from master to slave
- START and STOP signal generation and detection
- Repeated START signal generation
- Acknowledge bit generation and detection
- Bus busy detection
- Fast mode 400 KHz operation or standard mode 100 KHz
- 7-bit or 10-bit addressing
- General call enable or disable
- Transmit and receive FIFOs - 16 bytes deep
- Throttling
- General purpose output, 1 bit to 8 bits wide
- Dynamic Start and Stop generation
- Filtering on the SCL and SDA signals to eliminate spurious pulses

LogiCORE IP Facts Table				
Core Specifics				
Supported Device Family <sup>(1)</sup>	Artix-7, Virtex-7, Kintex-7 <sup>(2)</sup> Virtex-6 <sup>(3)</sup> , Spartan-6 <sup>(4)</sup>			
Supported User Interfaces	AXI4-Lite			
Resources				
	LUTs	FFs	DSP Slices	Block RAMs
	Refer to <a href="#">Table 19</a> through <a href="#">Table 23</a>			0
Provided with Core				
Documentation	Product Specification			
Design Files	VHDL			
Example Design	Not Provided			
Test Bench	Not Provided			
Constraints File	None			
Simulation Model	None			
Tested Design Tools				
Design Entry Tools	XPS 13.2			
Simulation	Mentor Graphics ModelSim <sup>(5)</sup>			
Synthesis Tools	XST 13.2			
Support				
Provided by Xilinx, Inc.				

### Notes:

1. For a complete list of supported derivative devices, please see the [IDS Embedded Edition Derivative Device Support](#).
2. For more information on 7 series devices, see the *7 Series FPGAs Overview* [Ref 4].
3. For more information on the Virtex-6 devices, see the *Virtex-6 Family Overview* [Ref 6].
4. For more information on the Spartan-6 devices, see the *Spartan-6 Family Overview* [Ref 5].
5. For the supported versions of the tools, see the [ISE Design Suite 13: Release Notes Guide](#).

## Functional Description

The AXI IIC Bus Interface module:

- Provides the transaction interface to the AXI4-Lite interface using the AXI Lite IPIF library [Ref 7].
- Does not provide explicit electrical connectivity to the IIC bus. Expects the design to include bi-directional I/O buffers that implement open collector drivers for the SDA and SCL signals. These bidirectional buffers are typically provided automatically by EDK XPS. The user must also provide external pull up devices to properly hold the bus at the logic '1' state when the driver is released.

The user must pay proper attention to the Philips specification when setting the values of these pull up devices (typically resistors) to both meet the Philips specification, the FPGA maximum ratings and the ratings of any devices on the bus itself.

Figure 1 illustrates the top-level block diagram for the AXI IIC bus interface and the modules are described in the sections that follow.

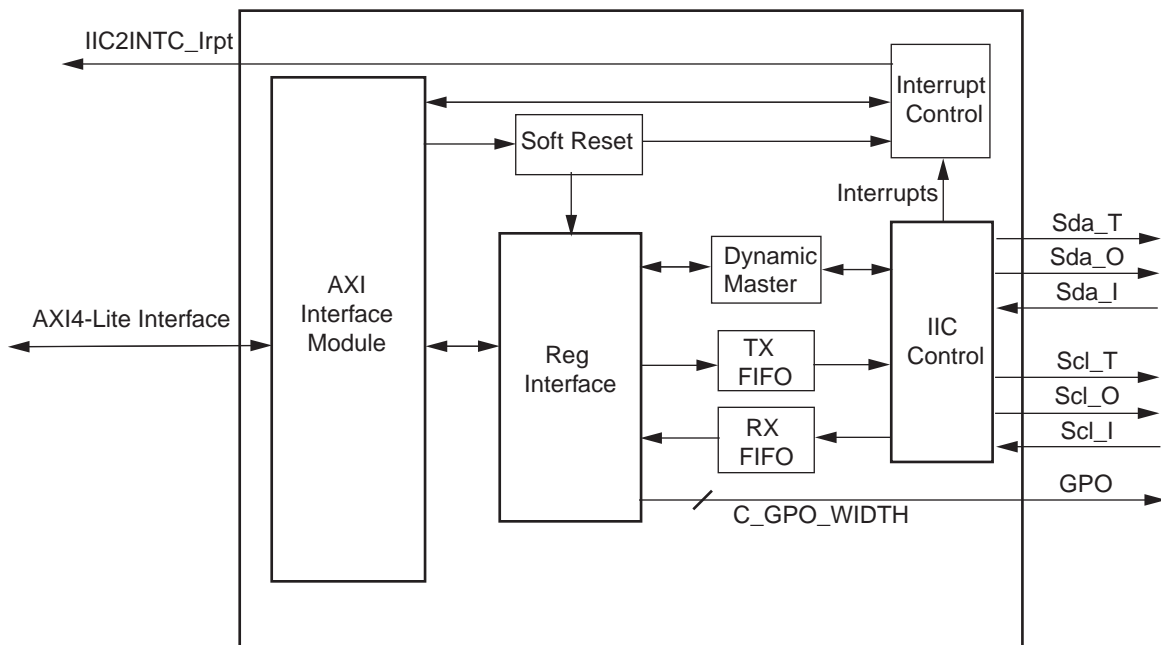


Figure 1: AXI IIC Bus Interface Top Level Block Diagram

**AXI Interface Module:** Provides the interface to the AXI4-Lite and implements AXI protocol logic. The AXI interface module is a bi-directional interface between a user IP core and the AXI4-Lite interface. To simplify the process of attaching AXI IIC bus interface to the AXI, the core makes use of a portable, pre-designed AXI interface called AXI Lite IPIF library [Ref 7], that takes care of the AXI interface signals.

**Register Interface Module:** Implements the address map and connectivity for the firmware to control IIC data transfer operations.

**Soft Reset Module:** Initializes the registers.

**Interrupt Control Module:** Generates interrupts.

**IIC Control Module:** Contains the state machine for the IIC bus operations.

**Dynamic Master:** Controls the operation in dynamic mode.

**TX FIFO and RX FIFO:** Hold the transmit and receive data respectively.

## Multi-Master Operation

The AXI IIC only participates in multi-master arbitration when the bus is initially free and the attempt is made. After it issues the START, other masters can participate in addressing and the AXI IIC will correctly relinquish the bus if the requested address of the other master is lower than the address driven by AXI IIC. However, if the bus is not free, as indicated by SDA being low and SCL being high (the START has occurred), when the request to acquire the bus is made, then the AXI IIC will wait until the next bus free opportunity to arbitrate.

## Dynamic IIC Controller Logic

The dynamic controller logic provides an interface to the AXI IIC controller that is simple to use. The dynamic logic supports master mode only and 7-bit addressing only.

The dynamic logic is controlled by a start and stop bit that is located in the transmit FIFO. If neither of these bits are set, then the dynamic logic is disabled. Both of these bits are included in the FIFO and are acted upon as the TX\_FIFO is emptied. See [Dynamic Controller Logic Flow](#) for details.

## Signal Filtering

The Philips I<sup>2</sup>C-bus specification indicates that 0 to 50 ns of pulse rejection can be applied when operating in fast mode (>100 KHz). The user can specify the max amount allowed by the specification or more through the filtering parameters C\_SCL\_INERTIAL\_DELAY and C\_SDA\_INERTIAL\_DELAY. These parameters specify the amount of delay in *clock cycles*.

Some designs might not require any filtering and others (even those operating below <100 KHz) might require the maximum amount -- and possibly more. It depends on many factors beyond the control of the core itself. It might be necessary for the user to experiment to determine the optimum amount. In the event that more than 50 ns of pulse rejection is required it might be necessary for the user to more tightly constrain rise/fall times beyond what is required by the Philips specification to accommodate the additional delay occurring because of the filter operation.

## Design Parameters

[Table 1](#) shows the design parameters of axi\_iic.

Table 1: Design Parameters

Generic	Feature / Description	Parameter Name	Allowable Values	Default Value	VHDL Type
<b>System Parameter</b>					
G1	Target FPGA family	C_FAMILY	virtex6, spartan6	virtex6	string
<b>AXI Parameters</b>					
G2	AXI Base Address	C_BASEADDR	Valid Address <sup>(1)</sup>	0xffffffff <sup>(3)</sup>	std_logic_vector
G3	AXI High Address	C_HIGHADDR	Valid Address <sup>(2)</sup>	0x00000000 <sup>(3)</sup>	std_logic_vector
G4	AXI address bus width	C_S_AXI_ADDR_WIDTH	32	32	integer
G5	AXI data bus width	C_S_AXI_DATA_WIDTH	32	32	integer
G6	AXI interface type	C_S_AXI_PROTOCOL	axi4lite	axi4lite	string

Table 1: Design Parameters (Cont'd)

Generic	Feature / Description	Parameter Name	Allowable Values	Default Value	VHDL Type
<b>AXI IIC Features</b>					
G7	Maximum frequency of the master mode generated SCL clock signal (Hz)	C_IIC_FREQ	Less than or equal to 400 KHz for Fast Mode definition <sup>(4)</sup>	100_000	integer
G8	10 Bit Addressing	C_TEN_BIT_ADR	1 = The slave responds to 10 bit addresses 0 = The slave responds to 7 bit addresses	0	integer
G9	Width of GPO	C_GPO_WIDTH	1 to 8	1	integer
G10	AXI Clock Frequency (Hz)	C_S_AXI_ACLK_FREQ_HZ	See <a href="#">Allowable Parameter Combinations</a>	25_000_000	integer
G11	SCL filtering	C_SCL_INERTIAL_DELAY	0-255 <sup>(5)</sup>	0	integer
G12	SDA filtering	C_SDA_INERTIAL_DELAY	0-255 <sup>(5)</sup>	0	integer
G13	SDA level	C_SDA_LEVEL	1= SDA will be driven 1, when transmit throttling occurs and AXI IIC is acting as master transmitter 0= SDA will be driven 0, when transmit throttling occurs and AXI IIC is acting as master transmitter	1	integer

**Notes:**

1. The user must set these values. The C\_BASEADDR must be a multiple of the range, where the range is C\_HIGHADDR - C\_BASEADDR + 1.
2. C\_HIGHADDR - C\_BASEADDR must be a power of 2 greater than equal to C\_BASEADDR + 0xFFF.
3. An invalid value is default to insure that the parameter is set. Otherwise, a compiler error will occur.
4. The AXI IIC will only meet this frequency exactly when C\_IIC\_FREQ divides evenly into C\_S\_AXI\_ACLK\_FREQ\_HZ.
5. A value of 0 indicates that no filtering is applied to the given signal.

## Parameter Descriptions

### C\_IIC\_FREQ

This parameter determines the approximate frequency of the master mode generated SCL clock signal (Hz). For  $C\_IIC\_FREQ \leq 100,000$  the appropriate timing specifications for standard mode operation are used. For  $C\_IIC\_FREQ > 100,000$  the specifications for fast mode operation are used. See the *Philips I<sup>2</sup>C-bus Specification* [Ref 1] for details.

#### Note:

1. The actual SCL clock frequency might vary from the value specified in the  $C\_IIC\_FREQ$  parameter for a number of reasons. In particular, the low period and high period of the clock are determined by counting off system clocks from the moment the SCL signal is sampled low or sampled high. As a result, the rise and fall time of the signals will affect the SCL clock frequency.
2. The  $C\_IIC\_FREQ$  does not equate to the data bandwidth in bps. Overhead in transmitting START, STOP and addresses reduces the effective bandwidth below the line rate.
3. The IIC slaves can also control the clock rate to throttle data transfers to a manageable speed thus changing the effective SCL clock rate.
4. The actual frequency will only match the specified value when  $C\_S\_AXI\_ACLK\_FREQ\_HZ$  is an integer multiple of  $C\_IIC\_FREQ$ .

### C\_TEN\_BIT\_ADR

This parameter enables or disables the 10-bit addressing mode. Logic resource savings result when 10-bit addressing is disabled.

### C\_GPO\_WIDTH

This parameter sets the width of the general purpose output vector. If the user does not connect anything to this port, then logic optimization will remove any resources associated with it.

### C\_S\_AXI\_ACLK\_FREQ\_HZ

This parameter specifies (but does not set) the frequency of the AXI interface. The AXI IIC utilizes the  $S\_AXI\_ACLK$  for its system clock and it must know the ratio of the  $C\_IIC\_FREQ$  to the  $C\_S\_AXI\_ACLK\_FREQ\_HZ$  to meet IIC timing specifications.

### C\_SCL\_INERTIAL\_DELAY and C\_SDA\_INERTIAL\_DELAY

These parameters specify the number of  $S\_AXI\_ACLK$  cycles used to define the width of the pulse rejection. For example, a 100 MHz clock coupled with an  $C\_SCL\_INERTIAL\_DELAY$  value of 5 gives 50 ns of pulse rejection. And, incidentally, delays the signal internally by 50 ns.

Filtering SCL without filtering SDA can have potentially undesirable effects by causing SDA to change when SCL is high resulting in false *starts* occurring.

Likewise, increasing the pulse rejection width for SDA beyond that for SCL can eliminate erroneous starts/stops by increasing the SDA hold time. Although technically the Philips specification permits 0 ns of hold time, in practice the sloppy signalling in IIC systems caused by very large rise/fall times (due to high bus capacitance and high pull-up resistance and/or the use of level translation MOSFETs) can result in failures due to the high-speed sampling of these analog signals.

In particular Virtex-6 devices, the I/Os are so fast that the slow signal rise time plus noise exceeding the input hysteresis can result in phantom pulses internal to the circuit. The inertial delay filters remove these quite effectively.

AXI IIC core provides 0 ns SDA hold time in master mode operation. If any IIC slave requires additional hold time on the SDA from the core, this can be achieved by adding delay on SCL ( $C\_SCL\_INERTIAL\_DELAY$ ). For example, with a 100 MHz AXI clock to have a 300 ns hold time, the  $C\_SCL\_INERTIAL\_DELAY$  parameter should be

configured for a integer value of 30. The parameter `C_SDA_INERTIAL_DELAY` can be set to 0 to 5 as per the required pulse rejection.

### C\_SDA\_LEVEL

This parameter is used during transmit throttling when AXI IIC is acting as master transmitter. In this condition AXI IIC master transmitter will drive SDA line with `C_SDA_LEVEL` value.

### C\_BASEADDR and C\_HIGHADDR

These two parameters determine the address range in AXI address space where the AXI IIC registers reside.

The address range defined by `C_BASEADDR` and `C_HIGHADDR` for the AXI IIC must be a power of 2 and greater than or equal to 4K bytes (0xFFF). For example, if `C_BASEADDR = 0xE0000000` then `C_HIGHADDR` must be `0xE0000FFF`, `0xE0001FFF`, . . . , etc.

### C\_S\_AXI\_ADDR\_WIDTH

This integer parameter is used by the AXI IIC to size the AXI address related components within the slave attachment. This value should be set to 32 bits.

### C\_S\_AXI\_DATA\_WIDTH

This integer parameter is used by the AXI IIC to size AXI data bus related components within the slave attachment. This value should be set to 32 bits.

### C\_FAMILY

This parameter is defined as a string. It specifies the target FPGA technology for implementation of the AXI IIC. This parameter is required for proper selection of FPGA primitives. The configuration of these primitives can vary from one FPGA technology family to another.

## Allowable Parameter Combinations

Because of the pipelined design of the AXI IIC, the AXI clock frequency must be at least 25 MHz and 25 times faster than the SCL clock frequency.

## I/O Signals

The AXI IIC I/O signals are listed and described in [Table 2](#).

Table 2: I/O Signal Descriptions

Port	Signal Name	Interface	I/O	Initial State	Description
<b>System Signals</b>					
P1	S_AXI_ACLK	System	I	-	AXI Clock.
P2	S_AXI_ARESETN	System	I	-	AXI Reset, active-Low.
P3	IIC2INTC_Irpt	System	O	0x0	System Interrupt output.
<b>AXI Write Address Channel Signals</b>					
P4	S_AXI_AWADDR[C_S_AXI_ADDR_WIDTH-1:0]	AXI	I	-	AXI Write address. The write address bus gives the address of the write transaction.
P5	S_AXI_AWVALID	AXI	I	-	Write address valid. This signal indicates that valid write address is available.

**Table 2: I/O Signal Descriptions (Cont'd)**

Port	Signal Name	Interface	I/O	Initial State	Description
P6	S_AXI_AWREADY	AXI	O	0x0	Write address ready. This signal indicates that the slave is ready to accept an address.
<b>AXI Write Channel Signals</b>					
P7	S_AXI_WDATA[C_S_AXI_DATA_WIDTH - 1: 0]	AXI	I	-	Write data.
P8	S_AXI_WSTB[C_S_AXI_DATA_WIDTH/8-1:0]	AXI	I	-	Write strobes. This signal indicates which byte lanes to update in memory. <sup>(1)</sup>
P9	S_AXI_WVALID	AXI	I	-	Write valid. This signal indicates that valid write data and strobes are available.
P10	S_AXI_WREADY	AXI	O	0x0	Write ready. This signal indicates that the slave can accept the write data.
<b>AXI Write Response Channel Signals</b>					
P11	S_AXI_BRESP[1:0]	AXI	O	0x0	Write response. This signal indicates the status of the write transaction. "00" - OKAY "10" - SLVERR "11" - DECERR
P12	S_AXI_BVALID	AXI	O	0x0	Write response valid. This signal indicates that a valid write response is available.
P13	S_AXI_BREADY	AXI	I	-	Response ready. This signal indicates that the master can accept the response information.
<b>AXI Read Address Channel Signals</b>					
P14	S_AXI_ARADDR[C_S_AXI_ADDR_WIDTH -1:0]	AXI	I	-	Read address. The read address bus gives the address of a read transaction.
P15	S_AXI_ARVALID	AXI	I	-	Read address valid. This signal indicates, when HIGH, that the read address is valid and will remain stable until the address acknowledgement signal, S_AXI_ARREADY, is high.
P16	S_AXI_ARREADY	AXI	O	0x1	Read address ready. This signal indicates that the slave is ready to accept an address.
<b>AXI Read Data Channel Signals</b>					
P17	S_AXI_RDATA[C_S_AXI_DATA_WIDTH -1:0]	AXI	O	0x0	Read data.
P18	S_AXI_RRESP[1:0]	AXI	O	0x0	Read response. This signal indicates the status of the read transfer. "00" - OKAY "10" - SLVERR "11" - DECERR
P19	S_AXI_RVALID	AXI	O	0x0	Read valid. This signal indicates that the required read data is available and the read transfer can complete.
P20	S_AXI_RREADY	AXI	I	-	Read ready. This signal indicates that the master can accept the read data and response information.

Table 2: I/O Signal Descriptions (Cont'd)

Port	Signal Name	Interface	I/O	Initial State	Description
<b>IIC Signals</b>					
P21	Sda_I	IIC	I	-	IIC Serial Data Input from 3-state buffer.
P22	Sda_O	IIC	O	0x0	IIC Serial Data Output to 3-state buffer.
P23	Sda_T	IIC	O	0x0	IIC Serial Data Output Enable to 3-state buffer. (2)
P24	Scl_I	IIC	I	-	IIC Serial Clock Input from 3-state buffer.
P25	Scl_O	IIC	O	0x0	IIC Serial Clock Output to 3-state buffer.
P26	Scl_T	IIC	O	0x0	IIC Serial Clock Output Enable to 3-state buffer. (2)
P27	Gpo(32 - C_GPO_WIDTH: 31)	IIC	O	0x0	General Purpose Outputs.

**Notes:**

1. This signal is not used. The AXI IIC assumes that all byte lanes are active.
2. The Sda\_T and Scl\_T signals are the 3-state enable signals that control the data direction for the Sda and Scl signal.

## Dependencies between Parameters and I/O Signals

The width of some of the AXI IIC signals depends on parameters selected in the design. The dependencies between the AXI IIC design parameters and I/O signals are shown in [Table 3](#).

Table 3: Parameter-I/O Signal Dependencies

Generic or Port	Name	Affects	Depends	Relationship Description
<b>Design Parameters</b>				
G4	C_S_AXI_ADDR_WIDTH	P4, P14	-	Defines the width of the ports.
G5	C_S_AXI_DATA_WIDTH	P7, P8, P17	-	Defines the width of the ports.
G9	C_GPO_WIDTH	P27	-	Specifies signal vector width.
<b>I/O Signals</b>				
P4	S_AXI_AWADDR[C_S_AXI_ADDR_WIDTH-1:0]	-	G4	Port width depends on the generic C_S_AXI_ADDR_WIDTH.
P7	S_AXI_WDATA[C_S_AXI_DATA_WIDTH-1:0]	-	G5	Port width depends on the generic C_S_AXI_DATA_WIDTH.
P8	S_AXI_WSTB[C_S_AXI_DATA_WIDTH/8-1:0]	-	G5	Port width depends on the generic C_S_AXI_DATA_WIDTH.
P14	S_AXI_ARADDR[C_S_AXI_ADDR_WIDTH -1:0]	-	G4	Port width depends on the generic C_S_AXI_ADDR_WIDTH.
P17	S_AXI_RDATA[C_S_AXI_DATA_WIDTH -1:0]	-	G5	Port width depends on the generic C_S_AXI_DATA_WIDTH.
P27	GPO	-	G9	Width varies with the value of C_GPO_WIDTH.



## IIC Protocol and Electrical Characteristics

To understand and utilize the register based software interface in the AXI IIC module it is helpful to have a basic understanding of the IIC protocol, and the electrical characteristics of the bus. For more details and timing diagrams, see the *Philips I<sup>2</sup>C-bus Specification* [Ref 1].

### Electrical Issues

An IIC bus consists of two wires named serial data (SDA) and serial clock (SCL), which carry information between the devices connected to the bus. The 400 pF maximum signal load capacitance limits the maximum number of devices connectable to the same bus.

Both SDA and SCL transport data bi-directionally between connected devices using wired-and electrical connectivity. To implement the wired-and each device utilizes an open-collector/open-drain output that only sinks current to ground to pull the signal to logic-0. Electrically that means it must not *drive* a logic-1 on to either bus signal but can only *release* or *float* the output. When no device asserts a logic-0 onto the bus, external pull-up devices (typically resistors) bring the signal state high. This method creates a source of confusion because no device can actually *set* the state of SCL or SDA to its high (logic-1) state.

The system designer must pay careful attention to the value of these pull-ups to guarantee that the implementation (consisting of the AXI IIC core, the Xilinx FPGA, and other devices on the bus) does not violate the IIC timing parameters. Selecting the value of pull-up resistors for a particular application is beyond the scope of the AXI IIC and this document.

The user should consider utilizing the small additional amount of logic necessary for filtering of SCL and SDA by specifying non-zero values for the parameters `C_SCL_INERTIAL_DELAY` and `C_SDA_INERTIAL_DELAY`. Reliability of the system can increase substantially.

When all devices on the bus release their drivers and both SDA and SCL are high for a specified period of time the bus is considered to be in the *bus free* state.

### Protocol for Address and Data Transfer

Each device on the bus has a unique 7-bit or 10-bit address, operates both as a transmitter and receiver, and additionally acts as a master or slave. A master device initiates data transfer on the bus and generates the clock signal for that transfer. The slaves respond to the address clocked into them by the master and either accept (“write”) data from or provide (“read”) data to the master

The IIC protocol defines an arbitration procedure that insures that if more than one master simultaneously tries to control the bus, only one is allowed to do so and the message is not corrupted. The arbitration and clock synchronization procedures defined in the *Philips I<sup>2</sup>C-bus Specification* [Ref 1] are supported by the AXI IIC module.

Data transfers on the IIC bus are initiated with a START condition and are terminated with a STOP condition. After reaching the bus free state, a master signals a START defined by a high-to-low transition on SDA while SCL is high. Likewise, the master signals a STOP by a low-to-high transition on the SDA line while SCL is high. Between the START and STOP conditions of the bus, data on the SDA signal must be stable during the high period of the SCL signal and must meet any required setup and hold times during the low period of the SCL signal.

Figure 2 illustrates how the definitions of: (a) the bus free state, and (b) the times when SDA and SCL can change relative to each other, ensure that the START and STOP conditions are not confused as data.

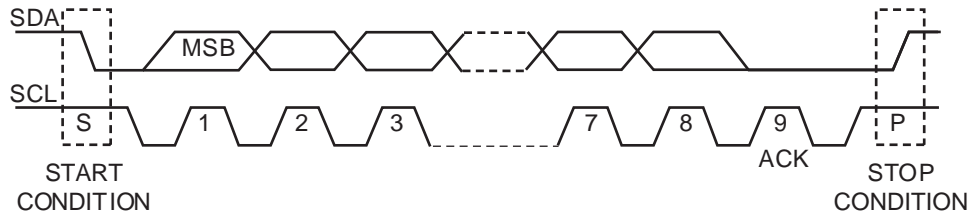


Figure 2: Data Transfer on the IIC Bus

Each transfer on the IIC bus consists of nine clock pulses on SCL to move eight bits of data and one acknowledge bit. master and slave transmitters send data with the most significant bit first (MSB).

After providing data for the eight clock periods, the master or slave transmitter releases the SDA line during the acknowledgement clock period to permit the receiver to transfer a 1-bit acknowledgment.

If a slave-receiver issues a not-acknowledge (by releasing the SDA signal during the acknowledgement clock period) this indicates that the slave-receiver was unable to accept the prior 8-bits transferred (consisting of address or data bits.) Note that after a byte of data is transferred the slave (receiver | transmitter) has the unique capability to throttle the transfer by keeping the SCL line in its low state by actively pulling the SCL line low for an arbitrary period of time. This ability allows it time to determine internally what value it should place on the SDA line for the acknowledgement.

If the master-receiver signals a not-acknowledge, this indicates to the slave-transmitter that this byte was the last byte of the transfer.

Standard communication on the bus between a master and a slave is composed of four parts: START, slave address, data transfer, and STOP. The IIC protocol defines a transfer format for both 7-bit and 10-bit addressing.

A 7-bit address is initiated as follows: After the START condition, a slave address is sent. This address is seven bits long followed by an eighth-bit which is the read/write bit. A High indicates a request for data (read) and a Low indicates a data transmission (write).

Only the slave with the calling address that matches the address transmitted by the master (that won arbitration) responds by sending back an acknowledge bit by pulling the SDA line Low on the ninth clock.

For 10-bit addressing, two bytes are transferred to set the 10-bit address. The transfer of the first byte contains the following bit definition. The first five bits (bits 7:3) notify the slave that this is a 10-bit transfer followed by the next two bits (bits 2:1), which set the slave address bits 9:8, and the LSB bit (bit 8) is the R/W bit. The second byte transferred sets bits 7:0 of the slave address.

After successful slave addressing is achieved, the data transfer proceeds byte-by-byte in the direction as specified by the read/write bit.

The master can terminate the communication by generating a STOP signal to free the bus when the receiver signals a not-acknowledge (signaled by releasing SDA during the acknowledgement clock period.) However, the master can generate a START signal without generating a STOP signal first. This is called a repeated START. A repeated start allows the master to change the direction of data transfer or address a different slave without giving up the bus.

## Register Descriptions

Table 4 specifies the name, offset and accessibility of each firmware addressable register from the three classes of registers within the AXI IIC core. User access to each register is from an offset to the base address set the C\_BASEADDR parameter. For example, C\_BASEADDR + 0x100 represents the address of the [Control Register \(CR\)](#).

Table 4 shows all of the AXI IIC registers and their addresses.

Table 4: Registers

Base Address + Offset (hex)	Register Name	Access Type	Default Value (hex)
<b>Interrupt Registers</b>			
C_BASEADDR + 0x01C	Global Interrupt Enable (GIE) <sup>(1)</sup>	Read/Write	0x0
C_BASEADDR + 0x020	Interrupt Status Register (ISR) <sup>(1)</sup>	Read/Toggle <sup>(3)</sup> on Write	0xD0
C_BASEADDR + 0x028	Interrupt Enable Register (IER) <sup>(1)</sup>	Read/Write	0x0
<b>Soft Reset</b>			
C_BASEADDR + 0x040	Soft Reset Register (SOFTR) <sup>(2)</sup>	Write Only	N/A
<b>IIC Configuration, Control, Data</b>			
C_BASEADDR + 0x100	Control Register (CR)	Read/Write	0x0
C_BASEADDR + 0x104	Status Register (SR)	Read	0xC0
C_BASEADDR + 0x108	Transmit FIFO (TX_FIFO)	Read/Write	0x0
C_BASEADDR + 0x10C	Receive FIFO (RX_FIFO)	Read	N/A
C_BASEADDR + 0x110	Slave Address Register (ADR)	Read/Write	0x0
C_BASEADDR + 0x114	Transmit FIFO Occupancy Register (TX_FIFO_OCY)	Read	0x0
C_BASEADDR + 0x118	Receive FIFO Occupancy Register (RX_FIFO_OCY)	Read	0x0
C_BASEADDR + 0x11C	Slave Ten Bit Address Register (TEN_ADR)	Read/Write	0x0
C_BASEADDR + 0x120	Receive FIFO Programmable Depth Interrupt Register (RX_FIFO_PIRQ)	Read/Write	0x0
C_BASEADDR + 0x124	General Purpose Output Register (GPO)	Read/Write	0x0

### Notes:

1. See *Xilinx Interrupt Control Data Sheet* [Ref 3].
2. The soft reset functionality is implemented by the proc\_common soft\_reset module.
3. Toggle each bit position to which a '1' is written.

### Global Interrupt Enable (GIE)

The Global Interrupt Enable Register, illustrated in Figure 3 and described in Table 5, has a single defined bit, in the most significant bit that is used to globally enable the final interrupt (coalesced from the ISR) out to the system.

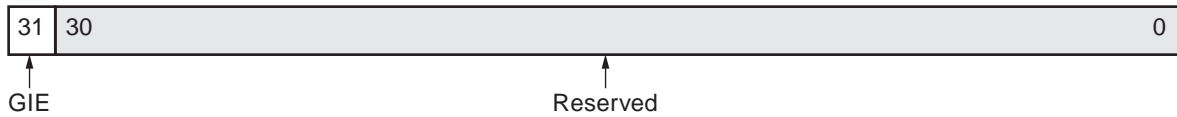


Figure 3: Global Interrupt Enable (GIE) Register

Table 5: Global Interrupt Enable (GIE) Register (C\_BASEADDR + 0x01C)

Bit(s)	Name	Core Access	Reset Value	Description
31	GIE	Read/Write	0	Global interrupt enable. 0 = All Interrupts disabled; no interrupt (even if unmasked in IER) possible from AXI IIC. 1 = Unmasked AXI IIC interrupts are passed to processor.
30-0	Reserved	N/A	N/A	Reserved

### Interrupt Status Register (ISR)

Firmware uses the ISR, illustrated in Figure 4, to determine which interrupt events from the AXI IIC need servicing. The register uses a toggle on write method to allow the firmware to easily clear selected interrupts by writing a '1' to the desired interrupt bit field position. This mechanism avoids the requirement on the User Interrupt Service routine to perform a Read/Modify/Write operation to clear a single bit within the register. Note that an interrupt value of '1' means the interrupt has occurred. A value of '0' means that no interrupt occurred or it was cleared.

Table 6, page 13 illustrates the interrupt to bit field mappings of the IPIER (interrupt enable) and IPISR (interrupt status) registers. The number in the parenthesis is the interrupt bit number.

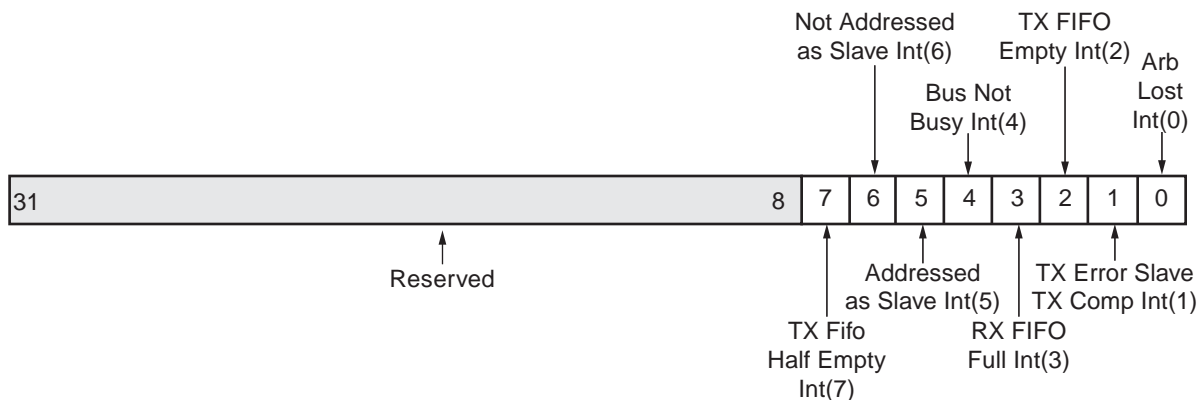


Figure 4: Interrupt Enable Register (IER) and Interrupt Status Register (ISR)

Table 6: Interrupt Status Register (C\_BASEADDR + 0x020)

Bit(s)	Name	Core Access	Reset Value	Description
31-8	Reserved	N/A	N/A	Reserved.
7	int(7)	Read/Toggle on Write	1	Interrupt(7) -- Transmit FIFO Half Empty.
6	int(6)	Read/Toggle on Write	1	Interrupt(6) -- Not Addressed As Slave.
5	int(5)	Read/Toggle on Write	0	Interrupt(5) -- Addressed As Slave.
4	int(4)	Read/Toggle on Write	1	Interrupt(4) -- IIC Bus is Not Busy.
3	int(3)	Read/Toggle on Write	0	Interrupt(3) -- Receive FIFO Full.
2	int(2)	Read/Toggle on Write	0	Interrupt(2) -- Transmit FIFO Empty.
1	int(1)	Read/Toggle on Write	0	Interrupt(1) -- Transmit Error/Slave Transmit Complete.
0	int(0)	Read/Toggle on Write	0	Interrupt(0) -- Arbitration Lost.

### Interrupt Enable Register (IER)

The Interrupt Enable Register is described in Table 7. The firmware uses the fields of this register to enable or disable interrupts needed to manage either the [Standard Controller Logic Flow](#) or the [Dynamic Controller Logic Flow](#).

Table 7: Interrupt Enable Register <sup>(1)</sup> (C\_BASEADDR + 0x028)

Bit(s)	Name	Core Access	Reset Value	Description
31-8	Reserved	N/A	N/A	Reserved.
7	int(7)	Read/Write	0	Interrupt(7) -- Transmit FIFO Half Empty.
6	int(6)	Read/Write	0	Interrupt(6) -- Not Addressed As Slave.
5	int(5)	Read/Write	0	Interrupt(5) -- Addressed As Slave.
4	int(4)	Read/Write	0	Interrupt(4) -- IIC Bus is Not Busy.
3	int(3)	Read/Write	0	Interrupt(3) -- Receive FIFO Full.
2	int(2)	Read/Write	0	Interrupt(2) -- Transmit FIFO Empty.
1	int(1)	Read/Write	0	Interrupt(1) -- Transmit Error/Slave Transmit Complete.
0	int(0)	Read/Write	0	Interrupt(0) -- Arbitration Lost.

#### Notes:

1. In any given bit position, 1=Interrupt enabled, 0=Interrupt masked.

## Soft Reset Register (SOFTR)

The firmware can write to the SOFTR to initialize all of the AXI IIC registers to their default states. To accomplish this the firmware must write the reset key (RKEY) value of 0xA to the least significant nibble of the 32-bit word. After recognizing a write of 0xA the proc\_common soft\_reset module issues a pulse 4 clocks long to reset the AXI IIC. At the end of the pulse the SOFTR acknowledges the AXI transaction. That prevents anything further from happening while the reset occurs.

Writing any value to bits 3:0 other than 0xA results in a AXI transaction acknowledge with an error status. The register is not readable.

Applying soft reset to the AXI IIC core also clears the bus busy (BB) status (bit-2 of SR). When a read is issued to the SR immediately after reset, SR might not give the correct status of the IIC bus if the IIC bus is locked by another IIC device. Therefore, the user should reset the external device after applying the soft reset to the AXI IIC core and before using the IIC bus again.

The SOFTR bit fields are shown in [Figure 5](#) and described in [Table 8](#).

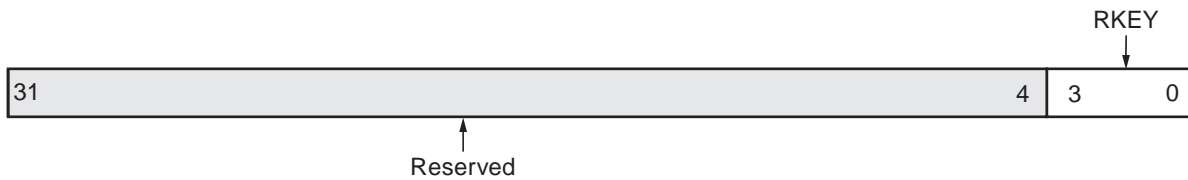


Figure 5: Soft Reset Register (SOFTR)

Table 8: Soft Reset Register (C\_BASEADDR + 0x040)

Bit(s)	Name	Core Access	Reset Value	Description
31-4	Reserved	N/A	N/A	Reserved.
3-0	RKEY	Write	N/A	<b>Reset Key.</b> The firmware must write a value of 0xA to this field to cause a soft reset of the Interrupt registers of AXI IIC controller. Writing any other value results in a AXI transaction acknowledgement with SLVERR and no reset occurs.

## Control Register (CR)

Writing to the CR register configures the AXI IIC operation mode and simultaneously allows for IIC transactions to be initiated.

Prior to setting master slave mode select (MSMS) to a 1, the TX\_FIFO should contain the address of the AXI IIC device. All the CR bits can be set at the same time as setting MSMS to a 1 to initiate a bus transaction.

When initiating a repeated start condition, the transmit FIFO must be empty. First, set the repeated start bit to a 1 and then write the address of the AXI IIC device to the transmit FIFO. The rest of the FIFO can be filled with data, if required.

The EN field provides a way for the device driver to initialize interrupts prior to enabling the device to send/receive data.

The AXI IIC Control Register is shown in Figure 6 and described in Table 9.



Figure 6: Control (CR) Register

Table 9: Control Register (C\_BASEADDR + 0x100)

Bit(s)	Name	Core Access	Reset Value	Description
31-7	Reserved	N/A	N/A	Reserved.
6	GC_EN	Read/Write	0	<b>General Call Enable.</b> Setting this bit High allows the AXI IIC to respond to a general call address. "0" - General Call Disabled. "1" - General Call Enabled.
5	RSTA	Read/Write	0	<b>Repeated Start.</b> Writing a "1" to this bit generates a repeated START condition on the bus if the AXI IIC bus interface is the current bus master. Attempting a repeated START at the wrong time, if the bus is owned by another master, results in a loss of arbitration. This bit is reset when the repeated start occurs. This bit must be set prior to writing the new address to the TX_FIFO or DTR.
4	TXAK	Read/Write	0	<b>Transmit Acknowledge Enable.</b> This bit specifies the value driven onto the SDA line during acknowledge cycles for both master and slave receivers. "1" - ACK bit = "1" - not-acknowledge. "0" - ACK bit = "0" - acknowledge. Because master receiver indicates the end of data reception by not acknowledging the last byte of the transfer, this bit is used to end a master receiver transfer. As a slave, this bit must be set prior to receiving the byte to signal a not-acknowledge.

Table 9: Control Register (C\_BASEADDR + 0x100) (Cont'd)

Bit(s)	Name	Core Access	Reset Value	Description
3	TX	Read/Write	0	<p><b>Transmit/Receive Mode Select.</b> This bit selects the direction of master/slave transfers.</p> <p>“1” selects an AXI IIC transmit.</p> <p>“0” selects an AXI IIC receive.</p> <p>This bit <i>does not control</i> the Read/Write bit that is sent on the bus with the address. The Read/Write bit that is sent with an address must be the <i>LSB of the address written into the TX_FIFO</i>.</p>
2	MSMS	Read/Write	0	<p><b>Master/Slave Mode Select.</b> When this bit is changed from 0 to 1, the AXI IIC bus interface generates a START condition in master mode. When this bit is cleared, a STOP condition is generated and the AXI IIC bus interface switches to slave mode. When this bit is cleared by the hardware, because arbitration for the bus has been lost, a STOP condition is not generated. (See also <a href="#">Interrupt(0): Arbitration Lost, page 22.</a>)</p>
1	TX_FIFO Reset	Read/Write	0	<p><b>Transmit FIFO Reset.</b> This bit must be set to flush the FIFO if either (a) arbitration is lost or (b) if a transmit error occurs.</p> <p>“1” resets the transmit FIFO.</p> <p>“0” transmit FIFO normal operation.</p>
0	EN	Read/Write	0	<p><b>AXI IIC Enable.</b> This bit must be set before any other CR bits have any effect.</p> <p>“1” enables the AXI IIC controller.</p> <p>“0” resets and disables the AXI IIC controller but not the registers or FIFOs.</p>



## Status Register (SR)

This register contains the status of the AXI IIC bus interface. All bits are cleared upon reset.

The read-only SR register is shown in Figure 7 and described in Table 10.

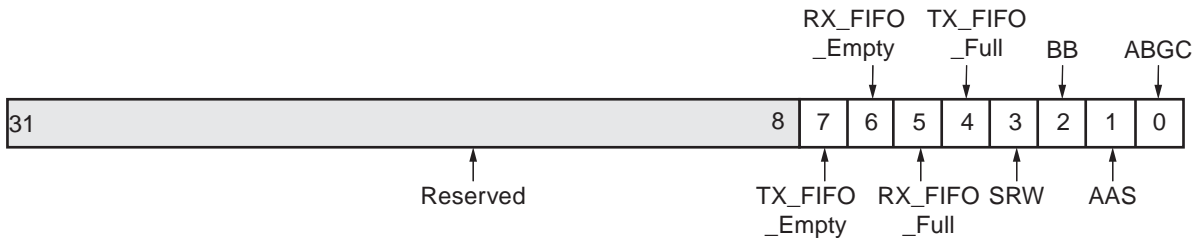


Figure 7: Status Register (SR)

Table 10: Status Register (C\_BASEADDR + 0x104)

Bit(s)	Name	Core Access	Reset Value	Description
31-8	Reserved	N/A	N/A	Reserved.
7	TX_FIFO_Empty	Read	1	<b>Transmit FIFO empty.</b> This bit is set High when the transmit FIFO is empty.
6	RX_FIFO_Empty	Read	1	<b>Receive FIFO empty.</b> This is set High when the receive FIFO is empty.
5	RX_FIFO_Full	Read	0	<b>Receive FIFO full.</b> This bit is set High when the receive FIFO is full. This bit is set only when all sixteen locations in the FIFO are full, regardless of the compare value field of the RX_FIFO_PIRQ register.
4	TX_FIFO_Full	Read	0	<b>Transmit FIFO full.</b> This bit is set High when the transmit FIFO is full.
3	SRW	Read	0	<b>Slave Read/Write.</b> When the IIC bus interface has been addressed as a slave (AAS is set), this bit indicates the value of the read/write bit sent by the master. This bit is only valid when a complete transfer has occurred and no other transfers have been initiated. "1" indicates master reading from slave. "0" indicates master writing to slave.
2	BB	Read	0	<b>Bus Busy.</b> This bit indicates the status of the IIC bus. This bit is set when a START condition is detected and cleared when a STOP condition is detected. "1" indicates the bus is busy. "0" indicates the bus is idle.
1	AAS	Read	0	<b>Addressed as Slave.</b> When the address on the IIC bus matches the slave address in the Address Register (ADR), the IIC bus interface is being addressed as a slave and switches to slave mode. If 10-bit addressing is selected this device will only respond to a 10-bit address or general call if enabled. This bit is cleared when a stop condition is detected or a repeated start occurs. "1" indicates being addressed as a slave. "0" indicates not being addressed as a slave.
0	ABGC	Read	0	<b>Addressed By a General Call.</b> This bit is set high when another master has issued a general call and the general call enable bit is set high, CR(6) = '1'.

## Transmit FIFO (TX\_FIFO)

This is the keyhole address for the FIFO that contains data to be transmitted on the IIC bus. In transmit mode, data written into this FIFO is output on the IIC bus. Reading of this location will result in reading the current byte being output from the FIFO. Attempting to write to a full FIFO is not recommended and results in that data byte being lost. Firmware must clear the FIFO prior to use in anticipation of it not being empty possibly due to abnormal IIC protocol, abnormal terminations or other normal controller actions such as dynamic mode reads.

The transmit FIFO (TX\_FIFO) is shown in [Figure 8](#) and described in [Table 11](#).

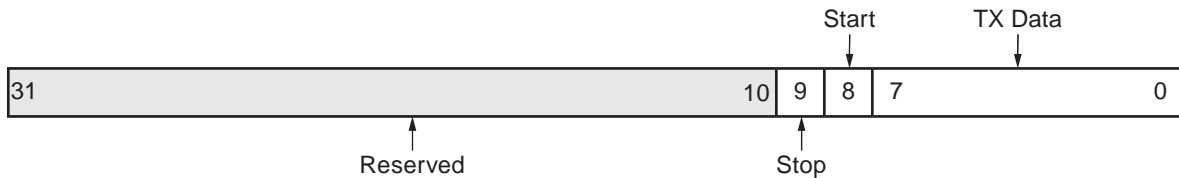


Figure 8: Transmit FIFO (TX\_FIFO)

Table 11: AXI IIC Transmit FIFO (C\_BASEADDR + 0x108)

Bit(s)	Name	Access	Reset Value	Description
31-10	Reserved	N/A	N/A	Reserved.
9	Stop	Read/Write	0	<b>Stop.</b> The dynamic stop bit can be used to send an IIC stop sequence on the IIC bus after the last byte has been transmitted or received. <sup>(2)</sup>
8	Start	Read/Write	0 <sup>(1)</sup>	<b>Start.</b> The dynamic start bit can be used to send a start or repeated start sequence on the IIC bus. A start sequence is generated if the MSMS = 0, a repeated start sequence is generated if the MSMS = 1. <sup>(2)</sup>
7-0	D7 - D0	Read/Write	Indeterminate <sup>(1)</sup>	<b>AXI IIC Transmit Data.</b> If the dynamic stop bit is used and the AXI IIC is a master receiver, the value is the number of bytes to receive. <sup>(3)</sup>

**Notes:**

1. The value that was available before the reset occurred will still appear on the FIFO outputs.
2. A full description for the use of the dynamic stop and start bits is contained in the [Dynamic Controller Logic Flow](#) section. These bits are not readable.
3. Only bits 7-0 can be read back.

## Receive FIFO (RX\_FIFO)

This FIFO contains the data received from the IIC bus. The received IIC data is placed in this FIFO after each complete transfer. The receive FIFO occupancy register (RX\_FIFO\_OCY) must be equal to the [Receive FIFO Programmable Depth Interrupt Register \(RX\\_FIFO\\_PIRQ\)](#) before throttling occurs. The receive FIFO is read only. Reading this FIFO when it is empty results in indeterminate data being read.

The receive FIFO is shown in [Figure 9](#) and described in [Table 12](#).



Figure 9: Receive FIFO (RX\_FIFO)

Table 12: Receive FIFO (C\_BASEADDR + 0x10C)

Bit(s)	Name	Access	Reset Value	Description
31-8	Reserved	N/A	N/A	Reserved.
7-0	D7 - D0	Read	Indeterminate <sup>(1)</sup>	IIC Receive Data.

**Notes:**

1. The value that was available before the reset occurred appears on the FIFO outputs.

## Slave Address Register (ADR)

The user programs the ADR register (and possibly the TEN\_ADR register) to set the address at which the slave will acknowledge an address transfer operation from the bus master. The slave address field of the ADR register contains all seven bits of the 7-bit address or the least significant seven bits of the 10-bit address the AXI IIC bus interface recognizes when operating as a slave.

The field layout of the register is shown in [Figure 10](#) and described in [Table 13](#).

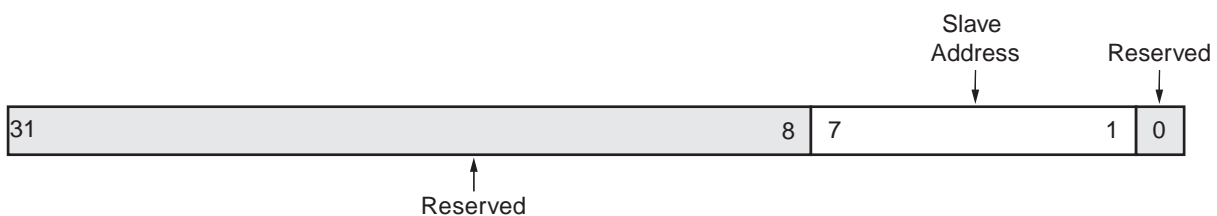


Figure 10: Slave Address Register (ADR)

Table 13: Slave Address Register (C\_BASEADDR + 0x110)

Bit(s)	Name	Access	Reset Value	Description
31-8	Reserved	N/A	N/A	Reserved.
7-1	Slave Address	Read/Write	0	Address used by the IIC bus interface when in Slave mode.
0	Reserved	N/A	N/A	Reserved.

### Slave 10-Bit Address Register (TEN\_ADR)

The user programs the ADR register (and possibly the TEN\_ADR register) to set the address at which the slave will acknowledge and address transfer operation from the bus master. The slave address field of the TEN\_ADR register contains the most significant three bits of the 10-bit address the AXI IIC bus interface recognizes when operating as a 10-bit addressable slave. This register exists only if the user configures the AXI IIC for 10-bit addressing by setting generic parameter C\_TEN\_BIT\_ADR to 1.

The TEN\_ADR register is shown in Figure 11 and described in Table 14.

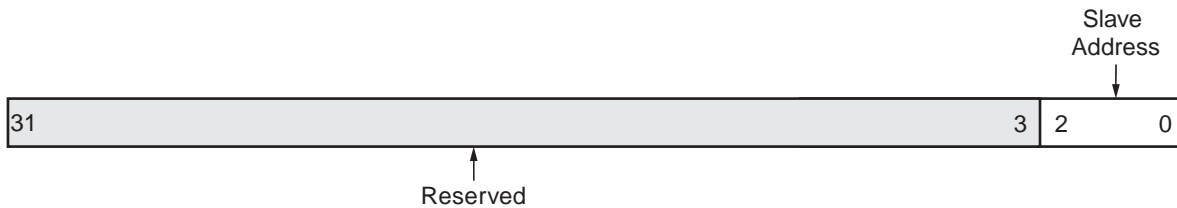


Figure 11: 10-Bit Address Register (TEN\_ADR)

Table 14: Slave 10-Bit Address Register (C\_BASEADDR + 0x11C)

Bit(s)	Name	Access	Reset Value	Description
31-3	Reserved	N/A	N/A	Reserved.
2-0	MSB of Slave Address	Read/Write	0	3 MSBs of the 10-bit address used by the AXI IIC bus interface when in slave mode.

### Transmit FIFO Occupancy Register (TX\_FIFO\_OCY)

This field contains the occupancy value for the transmit FIFO. Reading this register cannot be used to determine if the FIFO is empty. The transmit FIFO Empty interrupt conveys that information. The value read is the occupancy value minus one, therefore reading all zeros indicates that the first location is filled and reading all ones implies that all 16 locations are filled.

The TX\_FIFO\_OCY register is shown in Figure 12 and described in Table 15.

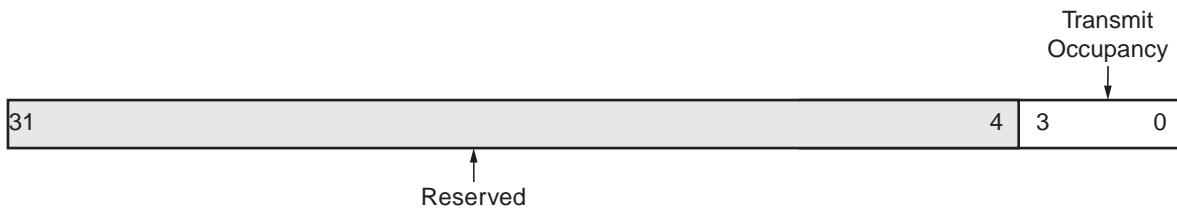


Figure 12: Transmit FIFO Occupancy Register (TX\_FIFO\_OCY)

Table 15: Transmit FIFO Occupancy Register (C\_BASEADDR + 0x114)

Bit(s)	Name	Access	Reset Value	Description
31-4	Reserved	N/A	N/A	Reserved.
3-0	Occupancy Value	Read	0	Bit 3 is the MSB. A binary value of 1001 indicates that 10 locations are full in the FIFO.

### Receive FIFO Occupancy Register (RX\_FIFO\_OCY)

This field contains the occupancy value for the receive FIFO. This register is read only. Reading this register cannot be used to determine if the FIFO is empty. RX\_FIFO\_Empty, bit 1 in the status register, is used to convey that information. The value read is the occupancy value minus one, therefore reading all 0s implies that the first location is filled and reading all 1s implies that all 16 locations are filled.

The RX\_FIFO\_OCY register is shown in Figure 13 and described in Table 16.



Figure 13: Receive FIFO Occupancy Register (RX\_FIFO\_OCY)

Table 16: Receive FIFO Occupancy Register (C\_BASEADDR + 0x118)

Bit(s)	Name	Access	Reset Value	Description
31-4	Reserved	N/A	N/A	Reserved.
3-0	Occupancy Value	Read	0	Bit 3 is the MSB. A binary value of 1001 implies that 10 locations are full in the FIFO.

### Receive FIFO Programmable Depth Interrupt Register (RX\_FIFO\_PIRQ)

This field contains the value which causes the receive FIFO Interrupt to be set. When this value is equal to the RX\_FIFO\_OCY value, the receive FIFO interrupt is set and remains set until the equality is no longer true. A read from the receive FIFO will cause the IIC receive FIFO interrupt to be cleared. When the RX\_FIFO\_PIRQ is equal to the RX\_FIFO\_OCY, throttling will also occur to prevent the transmitter from transmitting.

The read/write RX\_FIFO\_PIRQ register is shown in Figure 14 and described in Table 17.



Figure 14: Receive FIFO Programmable Depth Interrupt Register (RX\_FIFO\_PIRQ)

Table 17: Receive FIFO Programmable Depth Interrupt Register (C\_BASEADDR + 0x120)

Bit(s)	Name	Access	Reset Value	Description
31-4	Reserved	N/A	N/A	Reserved.
3-0	Compare Value	Read/Write	0	Bit 3 is the MSB. A binary value of 1001 implies that when 10 locations in the receive FIFO are filled, the receive FIFO interrupt will be set.

## General Purpose Output Register (GPO)

The current value of the general purpose output field of the GPO register is reflected continuously on the GPO I/O signal of the core. For example, the GPO signal of the core could be used to set an IIC memory device’s write protect.

If C\_GPO\_WIDTH is equal to one, the only bit populated in the register is GPO(0), the LSB. If C\_GPO\_WIDTH is equal to 8, then bits 7 through 0 in the GPO are populated. Reading unpopulated bits results in indeterminate data.

The GPO register is shown in Figure 15 and described in Table 18.



Figure 15: General Purpose Output Register (GPO)

Table 18: General Purpose Output Register (C\_BASEADDR + 0x124)

Bit(s)	Name	Access	Reset Value	Description
31-C_GPO_WIDTH	Reserved	N/A	N/A	Reserved.
(C_GPO_WIDTH-1)-0	General Purpose Outputs	Read/Write	0	GPO - The LSB (bit 0) is the first bit populated.

## Interrupt Descriptions

The AXI IIC driver firmware has eight unique interrupt conditions available to manage IIC data transfers. These interrupt events generated by the AXI IIC module’s internal IIC control module are managed by the Interrupt Control (v2.01a) block.

This block then generates a single IIC2INTC\_Irpt signal. The registers within this block provide an interface containing many of the features commonly needed for interrupt handling.

### Interrupt(0): Arbitration Lost

Interrupt(0) is the Arbitration Lost interrupt. This interrupt is set when arbitration for the IIC bus is lost. The firmware must respond by first clearing the Control Register (CR) MSMS bit and then clearing this interrupt by writing a 1 to the Interrupt Status Register (ISR) INT(0) bit to toggle it. See also: TX\_FIFO reset bit in the Control Register (CR).

## Interrupt(1): Transmit Error/Slave Transmit Complete

There are four possible events that cause this interrupt:

1. AXI IIC operating as a master transmitter: Interrupt(1) implies an error. There are two possibilities:
  - a. Either no slave was present at the transmitted address in which case the master transmitter recognizes a NOT ACKNOWLEDGE.
  - b. The slave receiver issued a NOT ACKNOWLEDGE to signal that it is not accepting any more data.In either case the MSMS bit in the Control Register will transition from 1 to 0 causing the AXI IIC to initiate a stop condition which implies that the bus will not be busy.
2. AXI IIC operating as a master receiver: Interrupt(1) implies a transmit complete. This interrupt is caused by setting [Control Register \(CR\) TXAK](#) high to indicate to the slave transmitter that the last byte has been transmitted.
3. AXI IIC operating as a slave transmitter: Interrupt(1) implies a transmit complete. This interrupt is caused by the master device to indicate to the IIC that the last byte has been transmitted.
4. AXI IIC operating as a slave receiver: Interrupt(1) implies an error. This interrupt is caused by the IIC (setting CR register field TXAK to 1).

The firmware must clear this interrupt by writing a 1 to the [Interrupt Status Register \(ISR\)](#), INT(1) bit to toggle it.

Note that this interrupt will occur before the INT(4) if INT(4) is also enabled. (The stop occurs later.)

## Interrupt(2): Transmit FIFO Empty

The controller raises (sets) the interrupt flag and keeps it raised while a transmit throttle condition exists. After the flag has been raised and the transmit throttle condition is removed then (and only then can) the firmware lower (clear) the flag by writing a '1' to the [Interrupt Status Register \(ISR\)](#), INT(2) bit in order to toggle the flag state. See [Throttle Description](#) for information on actions that must be taken to clear a transmit throttle condition. The usual cause for a transmit throttle condition is the transmit FIFO going empty.

## Interrupt(3): Receive FIFO Full

This interrupt is set when the [Receive FIFO Programmable Depth Interrupt Register \(RX\\_FIFO\\_PIRQ\)](#) is equal to the [Receive FIFO Occupancy Register \(RX\\_FIFO\\_OCY\)](#). Clearing this interrupt requires that the data receive FIFO be read.

## Interrupt(4): IIC Bus is Not Busy

Interrupt(4) is set when the IIC bus is not busy. The condition remains set as long as the bus is not busy and cannot be cleared while the condition is true. Firmware must verify that the SR(BB) is asserted, indicating bus busy, before attempting to reset this interrupt bit.

A master that loses arbitration that wants to get back on this bus should immediately clear this bit.

If necessary, the slave should clear this bit after getting the AAS interrupt to know when the bus is not busy occurs. (A master could talk to several slaves before relinquishing the bus.)

## Interrupt(5): Addressed As Slave

This interrupt is set when the AXI IIC is being addressed as a slave.

## Interrupt(6): Not Addressed As Slave

This interrupt allows the detection of the end of receive data for a slave receiver when there has been no stop condition (repeated start). The interrupt occurs when a start condition followed by a non-matching slave address is detected. This interrupt is set when the AXI IIC is not addressed as a slave.

## Interrupt(7): Transmit FIFO Half Empty

This interrupt is set while the MSB of the TX\_FIFO\_OCY = 0.

## Throttle Description

The *Philips I<sup>2</sup>C-bus Specification* [Ref 1] permits devices to throttle (suspend) data transmission on the bus by holding the SCL line low for an indefinite period of time. The AXI IIC controller uses this throttling mechanism to prevent either a receive overrun (RX\_FIFO full) or a transmit underflow (TX\_FIFO empty) by holding the SCL line low after the acknowledge bit has been sent.

Throttling is independent of master or slave operation and depends upon transmit or receive operation only. However initiation of stops and repeated starts can only be accomplished at times when throttling is occurring and only the AXI IIC acting as a master can initiate such actions. When the AXI IIC is addressed as a slave, the throttling mechanism gives the firmware time to either gather data for transmission from the TX\_FIFO, or find a place to store data received into the RX\_FIFO.

Transmit throttling occurs when the transmit FIFO goes empty (except when a stop condition is pending.) When one or more bytes are written into the TX\_FIFO, the transmit throttle condition is removed. The automatic throttling provides the firmware with time to handle the interrupt processing necessary for data transfer without manually having to manage the low level SCL signalling details. To prevent the throttle condition from re-appearing when the TX\_FIFO goes empty the firmware must setup the master to issue a stop condition by resetting the CR(MSMS) bit *while the bus is throttled and prior* to writing the very last byte to be transmitted to the TX\_FIFO.

To switch transmission to a new device while throttled a repeated start can be issued. The firmware does this by setting the [Control Register \(CR\)](#) RSTA bit *then* writing the device address into the TX\_FIFO. The controller recognizes this sequence, issues the repeated start, retrieves the address byte from the TX\_FIFO and outputs it onto the bus. If no more data was placed into the TX\_FIFO the controller will immediately throttle again.

Receive throttling is done when the [Receive FIFO Occupancy Register \(RX\\_FIFO\\_OCY\)](#) matches the value set in the [Receive FIFO Programmable Depth Interrupt Register \(RX\\_FIFO\\_PIRQ\)](#). The throttle condition is momentarily removed when a byte from the receive FIFO is read, thus allowing the transmitter to send the next byte. The slow rate of IIC transmissions should permit the firmware to completely empty the receive fifo prior to the receipt of the next byte but it is not necessary to do so.

When the AXI IIC is a master and a receive throttle condition exists, the AXI IIC generates a stop condition if the [Control Register \(CR\)](#) MSMS bit is changed from a 1 to a 0. This allows single byte reads from a slave device. The [Control Register \(CR\)](#) TXAK must be set equal to 1 to not-acknowledge the byte if desired.

When the AXI IIC is a master, is in a receive throttle condition and the transmit FIFO is empty, setting the repeated start in the control register will cause a transmit throttle condition to occur. That would raise the [Interrupt\(2\): Transmit FIFO Empty](#) flag.

## Standard Controller Logic Flow

The following is a brief discussion on setting the AXI IIC registers to initiate and complete bus transactions.



## IIC Master Transmitter with a Repeated Start

1. Write the IIC device address to the TX\_FIFO.
2. Write data to TX\_FIFO.
3. Write to [Control Register \(CR\)](#) to set MSMS = 1 and TX = 1.
4. Continue writing data to TX\_FIFO.
5. Wait for transmit FIFO empty interrupt. This implies the IIC has throttled the bus.
6. Write to CR to set RSTA = 1.
7. Write IIC device address to TX\_FIFO.
8. Write all data except last byte to TX\_FIFO.
9. Wait for transmit FIFO empty interrupt. This implies the IIC has throttled the bus.
10. Write to CR to set MSMS = 0. The IIC generates a stop condition at the end of the last byte.
11. Write last byte of data to TX\_FIFO.

## IIC Master Receiver with a Repeated Start

1. Write the IIC peripheral device addresses for the first slave device to the TX\_FIFO. Write the [Receive FIFO Programmable Depth Interrupt Register \(RX\\_FIFO\\_PIRQ\)](#) to the total message length (call it M) minus two. It is assumed that the message is less than the maximum FIFO depth of 16 bytes.
2. Set [Control Register \(CR\)](#) MSMS = 1 and [Control Register \(CR\)](#) TX = 0.
3. Wait for the receive FIFO interrupt indicating M-1 bytes have been received.
4. Set [Control Register \(CR\)](#) TXAK = 1.  
TXAK causes the AXI IIC controller to not-acknowledge the next byte received indicating to the slave transmitter that the master receiver will accept no further data. TXAK is set before reading data from the RX\_FIFO, because as soon as a read from the RX\_FIFO has occurred, the throttle condition is removed and the opportunity to set the bit is lost.
5. Read all M-1 data bytes from the RX\_FIFO. Set the RX\_FIFO\_PIRQ to 0 so that the last byte, soon to be received, causes the receive FIFO full interrupt to be raised.
6. Clear the receive FIFO full interrupt now because after a single byte is retrieved from the RX\_FIFO the throttle condition is removed by the controller and the interrupt flag can be lowered (cleared).
7. Wait for the receive FIFO full interrupt.
8. The controller will be throttled again with a full RX\_FIFO. Set [Control Register \(CR\)](#) RSTA = 1. Write the peripheral IIC device address for a new (or same) IIC slave to the TX\_FIFO.
9. Read the final byte of data (of the first message) from the RX\_FIFO.  
This terminates the throttle condition so the receive FIFO full interrupt can be cleared at this time. It also permits the controller to issue the IIC restart and transmit the new slave address available in the TX\_FIFO. Also set the RX\_FIFO\_PIRQ to be 2 less than the total 2nd message length (call it N) in anticipation of receiving the message of N-1 bytes from the second slave device.
10. Wait for the receive FIFO full interrupt.
11. Set TXAK = 1. Write the RX\_FIFO\_PIRQ to be 0, read the message from the RX\_FIFO and clear the receive FIFO full interrupt.
12. Wait for the receive FIFO full interrupt (signalling the last byte is received).
13. Set MSMS = 0 in anticipation of giving up the bus via generation of an IIC Stop.
14. Read the final data byte of the second message from the RX\_FIFO. This clears the throttle condition and makes way for the controller to issue the IIC Stop.

## IIC Slave Receiver

1. Set **Control Register (CR)** EN = 1 to enable the AXI IIC. If the IIC needs to recognize a general call then set EN = 1 and GC\_EN = 1.
2. Write the slave address and R/ $\overline{W}$  bit to the **Slave Address Register (ADR)**.  
In 7-bit mode, a slave address of 0x7F should be written as 0xFE to the ADR. The 8<sup>th</sup> bit is the Read Not Write bit which is 0 in the case of a master transmit (IE Write) to slave. S0, 111 1111 0 = FE.
3. Write 0x0 to the **Receive FIFO Programmable Depth Interrupt Register (RX\_FIFO\_PIRQ)** Compare Value. That causes an interrupt when one byte of data (not address) has been received. Because the address transmitted on the IIC bus is not stored in the receive FIFO, this interrupt will not be caused by receiving either a 7-bit address or a 10-bit address.
4. Wait for addressed as slave interrupt AAS.
5. After an AAS interrupt has occurred, determine if the IIC slave is to receive or transmit data by reading Status Register bit 4.
6. Clear not addressed as slave interrupt NAS.
7. If the IIC is a slave receiver, there are two basic choices for the slave receiver interrupt processing.
  - a. Set the receive FIFO interrupt register to 0x0 and wait for either a Not Addressed as Slave NAS interrupt (no data was sent) or RX\_FIFO\_PIRQ interrupt. In this mode, an interrupt occurs for every byte of data received plus a NAS for the end of the transmission.
  - b. Set the receive FIFO interrupt register to 0xF and wait for either a Not Addressed as Slave NAS (some amount of data less than 16 bytes was set) or RX\_FIFO\_PIRQ interrupt. In this mode if the RX\_FIFO\_PIRQ interrupt occurs then 16 bytes of data exists in the FIFO to handle. Xilinx recommends that the software read the receive FIFO occupancy register, though it is not required. NAS can occur without a RX\_FIFO\_PIRQ interrupt. That means the receive FIFO occupancy register should be read to indicate how many bytes of data must be handled. In this mode there is one RX\_FIFO\_PIRQ interrupt for every 16 bytes of data plus a NAS for the end of the transmission. If less than 16 bytes of data is sent, NAS is the only interrupt.
8. In either choice above, clear the active interrupts after the data has been handled and wait for the next interrupt.
9. After the NAS interrupt has been received, handle the data and clear AAS.
10. Wait for the AAS interrupt.

## IIC Slave Transmitter

1. If the IIC is a slave transmitter, the following interrupt processing is available for use:
2. Ensure the Transmit Error/Slave Transmit Complete interrupt is cleared.
3. After the IIC has been addressed as a slave transmitter the IIC will transmit the first byte of data in the transmit FIFO. If no data exists in the transmit FIFO, the IIC will throttle the bus until data is written into the transmit FIFO.
4. If the protocol allows knowledge as to how much data the slave must transmit, fill up the FIFO and use the transmit FIFO empty or transmit FIFO half empty interrupts to keep the transmit FIFO full. Wait for the transmit error/slave transmit complete interrupt.
5. It is possible to write one byte of data at a time to the FIFO, then wait for a transmit FIFO empty interrupt which means the master wants more data, or wait for the Transmit error/slave transmit complete interrupt which indicates that the master has received the required data.
6. When transmit error/slave transmit complete has occurred, the NAS also occurs because the master has to either send a stop or send a repeated start.
7. When the NAS interrupt has been received, handle the data and clear AAS.
8. Wait for the AAS interrupt.

## Dynamic Controller Logic Flow

For initialization both the [Receive FIFO \(RX\\_FIFO\)](#) and [Transmit FIFO \(TX\\_FIFO\)](#) should be empty, and the AXI IIC should be enabled by setting [Control Register \(CR\)](#) EN = 1.

### Start and Repeated Start Sequence

When sending bytes of data over the IIC bus, the TX\_FIFO is filled first with the 7 bit device address of the IIC peripheral and the read/write bit, and any required data. In order to wake up the dynamic logic, the device address is written to the [Transmit FIFO \(TX\\_FIFO\)](#) as a 16-bit word (10 bits are used by the AXI IIC) with the start bit set (bit 8). Then if a read is to be performed, write the receive byte count to the TX\_FIFO else put the data to be written to it. When the dynamic logic detects that data is available in the TX\_FIFO and that the start bit is set, the AXI IIC will do the following:

1. Check the control register to see if MSMS is already set:
  - a. If MSMS is not set, then set the MSMS bit to create a start sequence
  - b. If MSMS is already set, then set the RSTA in the control register to create a repeated start sequence
2. Transmit the 7-bit address and R/ $\overline{W}$  bit contained in the TX\_FIFO.
3. Check the least significant bit contained with the 7-bit address to determine if this is a read or write operation on the IIC bus.
4. Get the next byte in the TX\_FIFO.
5. If a read access is occurring on the IIC bus, use this value as a receive byte counter. When this counter reaches zero, [Control Register \(CR\)](#) TXAK is forced High. This causes a not-acknowledge to be generated during reception of the last byte and will signal the IIC slave device to stop transmitting read data.
6. If a write access is occurring, the contents of the TX\_FIFO are sent out on the SDA bus.

### Stop Sequence

In order for the AXI IIC controller to release the IIC bus, by clearing the MSMS in the control register, bit 9 must be set in the TX\_FIFO with the last byte to be sent for a write access. For a read access, bit 9 must be set when the second word is written to the TX\_FIFO. The least significant 8 bits of the second word contain the number of bytes to receive. If the stop bit is never set, the AXI IIC will continue to own the IIC bus.

### Pseudo Code for Dynamic IIC Accesses

It is recommended to verify that the TX\_FIFO is not full or will not overflow with the writing of new data. For read accesses the user should reset the RX\_FIFO or check that SR(RX\_FIFO\_Empty)=1.

#### Initialization

1. Set RX\_FIFO depth to maximum by setting RX\_FIFO\_PIRQ=0x0F
2. Set 7 bit address mode
3. Reset TX\_FIFO
4. Enable AXI IIC, remove TX\_FIFO reset, disable general call

### Read 4 Bytes from an IIC Device Addressed as 0x34

1. Check all FIFOs empty and bus not busy by reading the status register
2. Write 0x135 to TX\_FIFO (set start bit, device address to 0x34, read access)
3. Write 0x204 to TX\_FIFO (set stop bit, 4 bytes to be received by the AXI IIC)
4. Wait for RX\_FIFO not empty
  - a. Read RX\_FIFO byte
  - b. If 4<sup>th</sup> byte read, then exit otherwise continue checking RX\_FIFO not empty

### Write 4 Bytes (0x89, 0xAB, 0xCD, 0xEF) to an IIC Slave EEPROM Device Addressed as 0x34

Place the data at EEPROM address 0x33:

1. Check all FIFOs empty and bus not busy by reading status register
2. Write 0x134 to TX\_FIFO (set start bit, device address, write access)
3. Write 0x33 to TX\_FIFO (EEPROM address for data)
4. Write 0x89 to TX\_FIFO (byte 1)
5. Write 0xAB to TX\_FIFO (byte 2)
6. Write 0xCD to TX\_FIFO (byte 3)
7. Write 0xEF to TX\_FIFO (stop bit, byte 4)

### Read 4 Bytes from an IIC Slave EEPROM Device Addressed as 0x34

The data is at EEPROM address 0x33.

First, a write access is necessary to set the EEPROM address, then a repeated start follows with the read accesses:

1. Check all FIFOs empty and bus not busy by reading the status register
2. Write 0x134 to TX\_FIFO (set start bit, device address to 0x34, write access)
3. Write 0x33 to TX\_FIFO (EEPROM address for data)
4. Write 0x135 to TX\_FIFO (set start bit for repeated start, device address 0x34, read access)
5. Write 0x204 to TX\_FIFO (set stop bit, 4 bytes to be received by the AXI IIC)
6. Wait for RX\_FIFO not empty
  - a. Read RX\_FIFO byte
  - b. If the fourth byte is read, exit; otherwise, continue checking RX\_FIFO not empty

## Timing Diagrams

N/A

## Design Constraints

N/A

## Design Implementation

### Target Technology

The intended target technology is Virtex-6 and Spartan-6 family FPGAs.

## Device Utilization and Performance Benchmarks

Because the AXI IIC core will be used with other design modules in the FPGA, the utilization and timing numbers reported in this section are estimates only. When the AXI IIC core is combined with other designs in the system, the utilization of FPGA resources and timing of the AXI IIC design will vary from the results reported here.

The AXI IIC resource utilization for various parameter combinations measured with a Artix™-7 device as the target are detailed in [Table 19](#).

**Table 19: Performance and Resource Utilization Benchmarks on Artix-7 (XC7A355TDIE-3)**

Parameter Values (Other Parameters at Default Value)				Device Resources			Performance
C_IIC_FREQ	C_TEN_BIT_ADDR	C_GPO_WIDTH	C_SCL/SDA_INERTIAL_DELAY	Slices	Slice Flip-Flops	LUTs	F <sub>MAX</sub> (MHz)
100,000	0	1	0	138	233	325	220
400,000	0	1	0	137	231	313	213
400,000	1	1	5	142	241	338	218
400,000	0	1	5	137	231	313	213
400,000	0	8	5	157	238	316	208

The AXI IIC resource utilization for various parameter combinations measured with a Virtex-7 device as the target are detailed in [Table 20](#).

**Table 20: Performance and Resource Utilization Benchmarks on Virtex-7 (XC7V855TFFG1157-3)**

Parameter Values (Other Parameters at Default Value)				Device Resources			Performance
C_IIC_FREQ	C_TEN_BIT_ADDR	C_GPO_WIDTH	C_SCL/SDA_INERTIAL_DELAY	Slices	Slice Flip-Flops	LUTs	F <sub>MAX</sub> (MHz)
100,000	0	1	0	141	233	317	205
400,000	0	1	0	141	231	314	221
400,000	1	1	5	141	231	314	221
400,000	0	1	5	126	241	336	233
400,000	0	8	5	133	238	317	232

The AXI IIC resource utilization for various parameter combinations measured with a Kintex®-7 device as the target are detailed in [Table 21](#).

**Table 21: Performance and Resource Utilization Benchmarks on Kintex-7 (XC7K410TFFG676-3)**

Parameter Values (Other Parameters at Default Value)				Device Resources			Performance
C_IIC_FREQ	C_TEN_BIT_ADDR	C_GPO_WIDTH	C_SCL/SDA_INERTIAL_DELAY	Slices	Slice Flip-Flops	LUTs	F <sub>MAX</sub> (MHz)
100,000	0	1	0	144	233	318	202
400,000	0	1	0	149	231	313	201
400,000	1	1	5	140	241	331	200
400,000	0	1	5	149	231	313	201
400,000	0	8	5	145	238	321	200

The AXI IIC resource utilization for various parameter combinations measured with a Virtex-6 device as the target are detailed in [Table 22](#).

**Table 22: Performance and Resource Utilization Benchmarks on Virtex-6 (XC6VLX130T-FF1156-1)**

Parameter Values (Other Parameters at Default Value)				Device Resources			Performance
C_IIC_FREQ	C_TEN_BIT_ADR	C_GPO_WIDTH	C_SCL/SDA_INERTIAL_DELAY	Slices	Slice Flip-Flops	LUTs	F <sub>MAX</sub> (MHz)
100,000	0	1	0	141	226	317	227
400,000	0	1	0	142	228	339	224
400,000	1	1	5	141	226	317	227
400,000	0	1	5	132	236	334	218
400,000	0	8	5	124	233	326	215

The AXI IIC resource utilization for various parameter combinations measured with a Spartan-6 device as the target are detailed in [Table 23](#).

**Table 23: Performance and Resource Utilization Benchmarks on Spartan-6 (XC6SLX45T-FGG484-2)**

Parameter Values (Other Parameters at Default Value)				Device Resources			Performance
C_IIC_FREQ	C_TEN_BIT_ADR	C_GPO_WIDTH	C_SCL/SDA_INERTIAL_DELAY	Slices	Slice Flip-Flops	LUTs	F <sub>MAX</sub> (MHz)
100,000	0	1	0	131	227	305	142
400,000	0	1	0	149	225	313	142
400,000	1	1	5	139	235	325	143
400,000	0	1	5	149	225	313	142
400,000	0	8	5	138	232	313	141

### System Performance

To measure the system performance ( $F_{MAX}$ ) of this core, this core was added to a Virtex-6 FPGA system and a Spartan-6 FPGA system as the device under test (DUT) as illustrated in Figure 16.

Because the AXI IIC core will be used with other design modules in the FPGA, the utilization and timing numbers reported in this section are estimates only. When this core is combined with other designs in the system, the utilization of FPGA resources and timing of the design will vary from the results reported here.

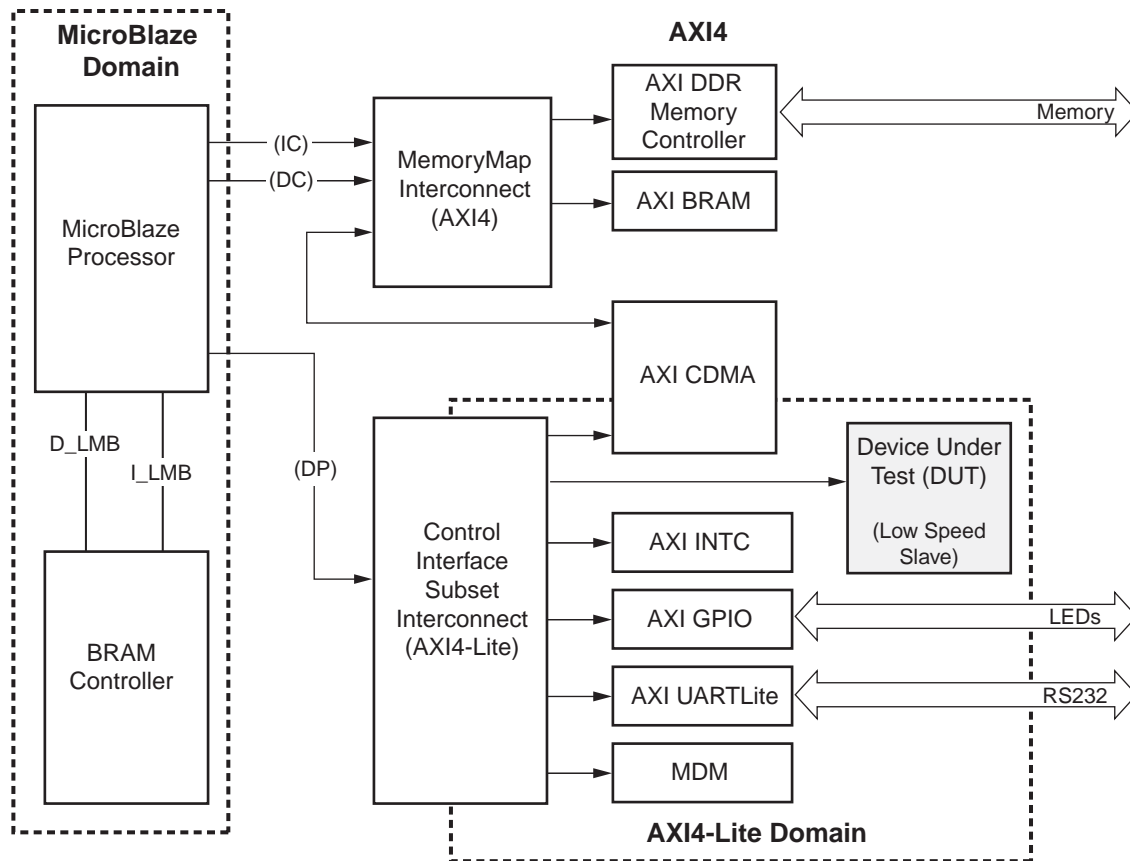


Figure 16: Virtex-6 and Spartan-6 Devices  $F_{MAX}$  Margin System

The target FPGA was then filled with logic to drive the LUT and block RAM utilization to approximately 70% and the I/O utilization to approximately 80%. Using the default tool options and the slowest speed grade for the target FPGA, the resulting target  $F_{MAX}$  numbers are shown in Table 24.

Table 24: AXI IIC Bus Interface System Performance

Target FPGA	Target $F_{MAX}$ (MHz)
Spartan-6	133
Virtex-6	200

The target  $F_{MAX}$  is influenced by the exact system and is provided for guidance. It is not a guaranteed value across all systems.

## Limitations

This core provides 0 ns SDA hold time in master mode operation as mentioned in *Philips I<sup>2</sup>C-bus Specification* [Ref 1]. If any IIC slave requires additional hold time, this can be achieved by adding delay on SCL (C\_SCL\_INERTIAL\_DELAY). See [C\\_SCL\\_INERTIAL\\_DELAY](#) and [C\\_SDA\\_INERTIAL\\_DELAY](#) for the description of this parameter.

The dynamic controller logic in the AXI IIC controller supports master mode operation and 7-bit addressing only.

## Specification Exceptions

### Exceptions to the *Philips I<sup>2</sup>C-bus Specification, version 2.1, January 2000*

- High-speed mode (Hs-mode) is not currently supported by the AXI IIC IP.
- 3-state buffers are used to perform the wired-AND function inherent in this bus structure.
- The Xilinx FPGA device ratings must not be exceeded when inter-connecting the AXI IIC to other devices.
- The  $t_{BUF}$  parameter (“Bus free time between a STOP and START condition”, Table 5, Page 32 *Philips I<sup>2</sup>C-bus Specification* [Ref 1]) is not met by the controller. The user must ensure the proper delay specification is met if the core is utilized with a bus device that needs the extra delay.

## Support

Xilinx provides technical support for this LogiCORE IP product when used as described in the product documentation. Xilinx cannot guarantee timing, functionality, or support of product if implemented in devices that are not defined in the documentation, if customized beyond that allowed in the product documentation, or if changes are made to any section of the design labeled *DO NOT MODIFY*.

## Ordering Information

This Xilinx LogiCORE IP module is provided at no additional cost with the Xilinx<sup>®</sup> ISE<sup>®</sup> Design Suite Embedded Edition software under the terms of the [Xilinx End User License](#). The core is generated using the Xilinx ISE Embedded Edition software (EDK).

Information about this and other Xilinx LogiCORE IP modules is available at the [Xilinx Intellectual Property](#) page. For information on pricing and availability of other Xilinx LogiCORE modules and software, please contact your [local Xilinx sales representative](#).

## Reference Documents

1. *Philips Semiconductors I<sup>2</sup>C-bus Specification, Version 2.1, January 2000*
2. *ARM<sup>®</sup> AMBA<sup>®</sup> AXI4 Protocol Version: 2.0 Specification*
3. *DS516, Interrupt Control Data Sheet*
4. *DS180, 7 Series FPGAs Overview*
5. *DS160, Spartan-6 Family Overview*
6. *DS150, Virtex-6 Family Overview*
7. *DS765, LogiCORE IP AXI Lite IPIF (v1.01a) Data Sheet*



## Revision History

The following table shows the revision history for this document.

Date	Version	Description of Revisions
09/21/10	1.0	Initial Xilinx release.
12/14/10	2.0	Updated for core v1.01a and XPS v12.4.
06/22/11	3.0	Updated for XPS v13.2. Added support for Artix-7, Virtex-7, and Kintex-7 devices.

## Notice of Disclaimer

The information disclosed to you hereunder (the "Materials") is provided solely for the selection and use of Xilinx products. To the maximum extent permitted by applicable law: (1) Materials are made available "AS IS" and with all faults, Xilinx hereby DISCLAIMS ALL WARRANTIES AND CONDITIONS, EXPRESS, IMPLIED, OR STATUTORY, INCLUDING BUT NOT LIMITED TO WARRANTIES OF MERCHANTABILITY, NON-INFRINGEMENT, OR FITNESS FOR ANY PARTICULAR PURPOSE; and (2) Xilinx shall not be liable (whether in contract or tort, including negligence, or under any other theory of liability) for any loss or damage of any kind or nature related to, arising under, or in connection with, the Materials (including your use of the Materials), including for any direct, indirect, special, incidental, or consequential loss or damage (including loss of data, profits, goodwill, or any type of loss or damage suffered as a result of any action brought by a third party) even if such damage or loss was reasonably foreseeable or Xilinx had been advised of the possibility of the same. Xilinx assumes no obligation to correct any errors contained in the Materials or to notify you of updates to the Materials or to product specifications. You may not reproduce, modify, distribute, or publicly display the Materials without prior written consent. Certain products are subject to the terms and conditions of the Limited Warranties which can be viewed at <http://www.xilinx.com/warranty.htm>; IP cores may be subject to warranty and support terms contained in a license issued to you by Xilinx. Xilinx products are not designed or intended to be fail-safe or for use in any application requiring fail-safe performance; you assume sole risk and liability for use of Xilinx products in Critical Applications: <http://www.xilinx.com/warranty.htm#critapps>.