

Introduction

The LogiCORE™ IP Common Public Radio Interface (CPRI™) core is a high-performance, low-cost flexible solution for implementation of the CPRI interface. The core can be implemented on UltraScale+™ families, UltraScale™ architecture, Zynq®-7000 All Programmable SoC and 7 series devices. It uses state-of-the-art GTXE2, GTPE2, GTHE2, GTHE3, GTYE3, GTHE4, and GTYE4 transceivers to implement the Physical Layer. A compact and customizable Data Link Layer is implemented in the FPGA logic.

Additional Documentation

A product guide is available for this core. Access to this material can be requested by going to the [CPRI Documentation Lounge](#).

Features

- Designs implemented on UltraScale+ devices operate at line rates of 614.4, 1,228.8, 2,457.6, 3,072, 4,915.2, 6,144, 8,110.08, 9,830.4, 10,137.6 and 12,165.12 Mb/s using GTHE4 or GTYE4 transceivers.
- Designs implemented on UltraScale architecture-based devices operate at line rates of 614.4, 1,228.8, 2,457.6, 3,072, 4,915.2, 6,144, 8,110.08, 9,830.4, 10,137.6 and 12,165.12 Mb/s using GTHE3 or GTYE3 transceivers.
- Designs implemented on Zynq-7000, Virtex®-7 and Kintex®-7 devices operate at line rates of 614.4, 1,228.8, 2,457.6, 3,072, 4,915.2, 6,144, 9,830.4, and 10,137.6 Mb/s using GTXE2, GTHE2 transceivers.

| LogiCORE IP Facts | |
|---|---|
| Core Specifics | |
| Supported Device Family ⁽¹⁾ | UltraScale+™ Families, UltraScale Architecture, Zynq-7000 ⁽²⁾ , 7 Series ⁽³⁾ See Speed Grade Support . |
| Supported User Interfaces | Generic data, status, configuration and management interfaces, AXI4-Lite management interface |
| Resources | Performance and Resource Utilization web page |
| Provided with Core | |
| Design Files | Encrypted register transfer level (RTL) |
| Example Design | VHDL |
| Test Bench | VHDL |
| Constraints File | Xilinx Design Constraints (XDC) |
| Simulation Models | VHDL, Verilog |
| Supported S/W Drivers | N/A |
| Tested Design Flows ⁽⁴⁾ | |
| Design Entry | Vivado® Design Suite |
| Simulation | For supported simulators, see the Xilinx Design Tools: Release Notes Guide . |
| Synthesis | Vivado Synthesis |
| Support | |
| Provided by Xilinx at the Xilinx Support web page | |

Notes:

1. For a complete list of supported devices, see the Vivado IP catalog.
2. Excludes the Zynq-7000 010, and 020 devices.
3. Excludes the Artix-7 100T device in CSG324 and FTG256 packages.
4. For the supported version of the tool, see the [Xilinx Design Tools: Release Notes Guide](#).

Features (continued)

- Designs implemented on Artix®-7 devices operate at line rates of 614.4, 1,228.86, 2,457.6, 3,072, 4,915.2, and 6,144 Mb/s using GTPE2 transceivers.
- UTRA-FDD in-phase and quadrature-phase data (I/Q) module supporting 1 to 48 Antenna-Carriers per core
- Automatic speed negotiation
- Supports both Fast (Ethernet) and Slow High-Level Data Link Control (HDLC) Control and Management (C&M) channels per the *CPRI Specification v6.1* [\[Ref 1\]](#).
- Designed to *CPRI Specification v6.1* [\[Ref 1\]](#)
- Can be configured as a master or slave at generation time
- Master core can be switched to operate as a slave through a configuration port
- Suitable for use in both Radio Equipment Controllers (RECs) and Radio Equipment (RE), including multi-hop systems. A multi-hop reference design is available at the CPRI product page ([CPRI product page](#)).
- Delay measurement capability meets CPRI Requirement 21 per *CPRI Specification v6.1* [\[Ref 1\]](#)
- Core includes the necessary clocking and transceiver logic to enable easy integration into your design
- Synthesizable example design and simple demonstration test bench provided
- Easy-to-use I/Q data interface together with optional modules for UMTS terrestrial radio access - frequency division duplexing (UTRA-FDD) and Evolved UMTS Terrestrial Radio Access (E-UTRA) data mappings
- Supports vendor specific data transport including support for the passing of control AxC information in global system for mobile communications (GSM) systems

Overview

The CPRI core implements Layer 1 and Layer 2 of the CPRI specification in UltraScale architecture, Zynq-7000, Virtex-7, Kintex-7, and Artix-7 devices. The CPRI core provides these client-side interfaces.

- **I/Q Interface.** Consists of a stream of radio data (I/Q samples) that is synchronized to the Universal Mobile Telecommunications System (UMTS) radio frame pulse.
- **Synchronization Interface.** Provides the means for the client logic to synchronize to the network time by transmitting the UMTS radio frame pulse and clock frequency.
- **High-Level Data Link Control (HDLC) Interface.** Transports management information between master and slave. The HDLC interface is serialized and synchronous.

- **Ethernet Interface.** When configured to support speeds of up to 3,072 Mb/s, the Ethernet interface is presented as a Media Independent Interface (MII); this allows a 100 Mb Ethernet Media Access Controller (MAC) to be attached to the core to provide a high-speed channel for management information. When speeds over 4,915.2 Mb/s are supported, a Gigabit Media Independent Interface (GMII) option is available. This allows a 1 Gb Ethernet MAC to be attached to the core. The core includes an Ethernet frame buffer in both transmit and receive directions. The frame buffers are derived from the FIFO Generator and Block Memory Generator IP cores.
- **Vendor-Specific Data Interface.** Provides client logic access to the vendor-specific sub-channels in the CPRI stream.
- **Management Interface.** Provides control and status registers that allow management of the entire design from a supervisory processor. An AXI4-Lite option is available.

The architecture of the core is shown in [Figure 1](#). In addition to the interfaces described previously, the core contains these blocks:

- **Status/Alarm Block.** Reflects the internal state of the core and the state of the link.
- **Start-up Sequencer.** Performs line-rate negotiation and Control and Management (C&M) parameter negotiation at link start-up. This block continuously monitors the state of the link and sends the status to the alarm block.
- **UMTS Terrestrial Radio Access - Frequency Division Duplexing (UTRA FDD) I/Q Module:** A pluggable I/Q module to support multiplexing and demultiplexing of I/Q samples in UTRA FDD systems (shown in [Figure 1](#)).
- **Evolved UMTS Terrestrial Radio Access (E-UTRA) I/Q Module:** A pluggable I/Q module to support multiplexing and demultiplexing of I/Q samples in E-UTRA systems (not shown in [Figure 1](#)).
- **Legacy raw I/Q Module:** A pluggable I/Q Module for backward compatibility with the raw interfacing timing for v1.x CPRI cores (not shown in [Figure 1](#)).

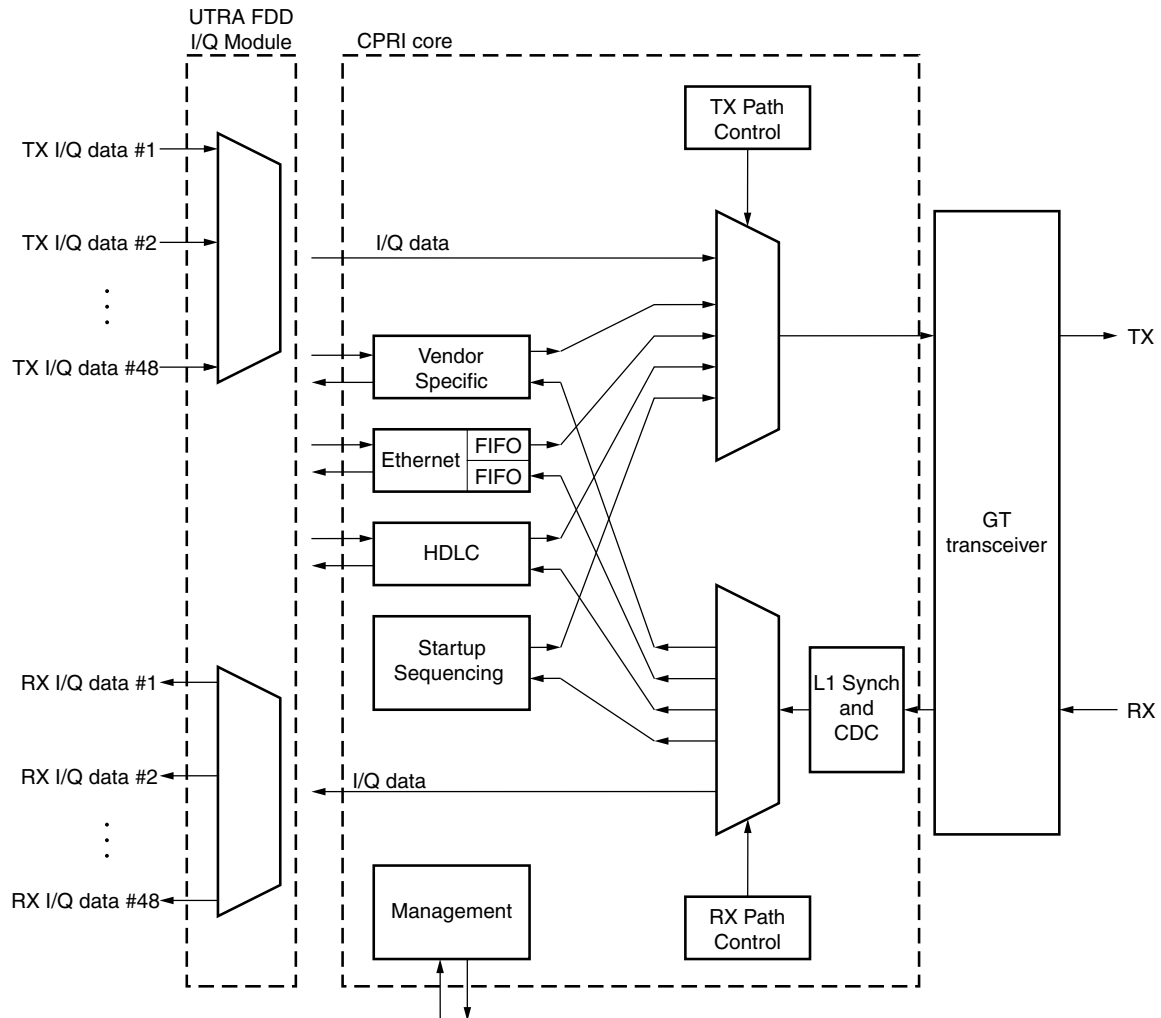


Figure 1: CPRI Top-Level Block Diagram

References

To search for Xilinx documentation, go to the [Xilinx Support web page](#).

1. [CPRI Specification v6.1](#), July 1, 2014
2. [IEEE Std. 802.3-2005 \(standards.ieee.org/getieee802/\)](#)
3. [Vivado AXI Reference Guide \(UG1037\)](#)
4. [Vivado Design Suite User Guide: Designing with IP \(UG896\)](#)

Support

Xilinx provides [technical support](#) for this LogiCORE IP product when used as described in the product documentation. Xilinx cannot guarantee timing, functionality, or support of product if implemented in devices not listed in the documentation, or if customized beyond that allowed in the product documentation, or if any changes are made to the sections marked DO NOT MODIFY.

Licensing and Ordering Information

This Xilinx LogiCORE IP module is provided under the terms of the [Xilinx Core License Agreement](#). For full access to all core functionalities in simulation and in hardware, you must purchase a license for the core. Contact your [local Xilinx sales representative](#) for information about pricing and availability of Xilinx LogiCORE IP.

For more information about the CPRI core and about obtaining a license, visit the [CPRI product page](#).

Information about this and other Xilinx LogiCORE IP modules is available at the [Xilinx Intellectual Property](#) page. For information on pricing and availability of other Xilinx LogiCORE IP modules and tools, contact your [local Xilinx sales representative](#).

Related Information

Xilinx products are not intended for use in life-support appliances, devices, or systems. Use of a Xilinx product in such an application without the written consent of the appropriate Xilinx officer is prohibited.

Revision History

| Date | Version | Revision |
|------------|---------|--|
| 11/18/2015 | 8.5 | <ul style="list-style-type: none"> Added support for UltraScale+ families. Added support for GTYE3, GTHE4, and GTYE4 transceivers. Added 12,165.12 Mb/s support. Replaced <i>CPRI Specification v6.0, August 30, 2013</i> with <i>CPRI Specification v6.1, July 1, 2014</i>. |
| 10/01/2014 | 8.3 | 10136.7 Mb/s speed switching added. |
| 06/04/2014 | 8.2 | Associated Product Guide (PG056) updated with parameter table. |
| 04/02/2014 | 8.2 | Added 10137.6 Mb/s line rate |
| 12/18/2013 | 8.1 | <ul style="list-style-type: none"> Added UltraScale architecture support Added transceiver debug interface |
| 10/02/2013 | 8.0 | <ul style="list-style-type: none"> Revision number advanced to 8.0 to align with core version number Added option to bypass the Ethernet frame buffers |
| 03/20/2013 | 3.0 | Updated for Vivado Design Suite and core version 7.0. Removed all ISE design tools and architectures not supported for Vivado. |
| 12/18/2012 | 2.0 | Updated for ISE Design Suite 14.4, Vivado Design Suite 2012.4, and core version 6.1. |
| 07/25/2012 | 1.0 | Initial Xilinx release. Replaces ds611. Data sheet information was incorporated into the new product guide, pg056. |

Please Read: Important Legal Notices

The information disclosed to you hereunder (the "Materials") is provided solely for the selection and use of Xilinx products. To the maximum extent permitted by applicable law: (1) Materials are made available "AS IS" and with all faults, Xilinx hereby **DISCLAIMS ALL WARRANTIES AND CONDITIONS, EXPRESS, IMPLIED, OR STATUTORY, INCLUDING BUT NOT LIMITED TO WARRANTIES OF MERCHANTABILITY, NON-INFRINGEMENT, OR FITNESS FOR ANY PARTICULAR PURPOSE;** and (2) Xilinx shall not be liable (whether in contract or tort, including negligence, or under any other theory of liability) for any loss or damage of any kind or nature related to, arising under, or in connection with, the Materials (including your use of the Materials), including for any direct, indirect, special, incidental, or consequential loss or damage (including loss of data, profits, goodwill, or any type of loss or damage suffered as a result of any action brought by a third party) even if such damage or loss was reasonably foreseeable or Xilinx had been advised of the possibility of the same. Xilinx assumes no obligation to correct any errors contained in the Materials or to notify you of updates to the Materials or to product specifications. You may not reproduce, modify, distribute, or publicly display the Materials without prior written consent. Certain products are subject to the terms and conditions of Xilinx's limited warranty, please refer to Xilinx's Terms of Sale which can be viewed at <http://www.xilinx.com/legal.htm#tos>; IP cores may be subject to warranty and support terms contained in a license issued to you by Xilinx. Xilinx products are not designed or intended to be fail-safe or for use in any application requiring fail-safe performance; you assume sole risk and liability for use of Xilinx products in such critical applications, please refer to Xilinx's Terms of Sale which can be viewed at <http://www.xilinx.com/legal.htm#tos>.