

## Introduction

The Xilinx LogiCORE™ DSP48 Macro provides an easy-to-use interface that abstracts the XtremeDSP™ slice and simplifies its dynamic operation by enabling the specification of multiple operations via a set of user-defined arithmetic expressions. The specified operations are enumerated and can be selected by the user via a single port on the generated core.

## Features

- Drop-in module for Virtex®-7 and Kintex™-7, Virtex-6, Virtex-5, Virtex-4, Spartan®-6/XA, Spartan-3/XA, Spartan-3E/XA, Spartan-3A/3AN/3A DSP/XA FPGAs
- Simplified and abstracted interface to XtremeDSP slice enhances ease of use, code readability and portability
- Define XtremeDSP slice operation via a list of user-defined arithmetic expressions
- Support for up to 64 instructions
- Supports the XtremeDSP slice pre-adder
- Configurable latency
- Choose between XtremeDSP Slice or fabric implementation
- Support of signed, two's complement input data
- For use with Xilinx CORE Generator™ and Xilinx System Generator for DSP 13.1

LogiCORE IP Facts Table					
Core Specifics					
Supported Device Family <sup>(1)</sup>	Virtex-7 and Kintex-7 Virtex-6, Virtex-5, Virtex-4, Spartan-6, Spartan-3/XA, Spartan-3E/XA, Spartan-3A/3AN/3ADSP/XA				
Supported User Interfaces	Not Applicable				
	Resources <sup>(2)</sup>				Frequency
Configuration	LUTs	FFs	DSP Slices	Block RAMs	Max. Freq.
Accumulator	0	52	1	0	452 MHz
Provided with Core					
Documentation	Product Specification				
Design Files	Netlist				
Example Design	Not Provided				
Test Bench	Not Provided				
Constraints File	Not Applicable				
Simulation Model	VHDL behavioral model in the xilinxcorelib library VHDL UniSim structural model Verilog UniSim structural model				
Tested Design Tools					
Design Entry Tools	CORE Generator tool 13.1 System Generator for DSP 13.1				
Simulation	Mentor Graphics ModelSim 6.6d Cadence Incisive Enterprise Simulator (IES) 10.2 Synopsys VCS and VCS MX 2010.06 ISIM 13.1				
Synthesis Tools	N/A				
Support					
Provided by Xilinx, Inc.					

1. For a complete listing of supported devices, see the [release notes](#) for this core.
2. Resources listed here are for Virtex-6 devices. For more complete device performance numbers, see [Performance and Resource Utilization, page 14](#).

## Pinout

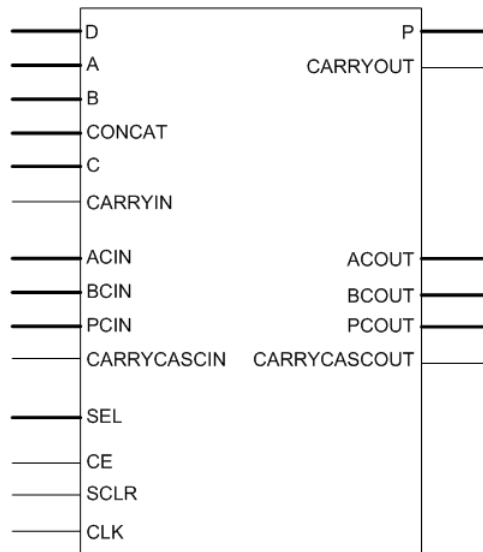


Figure 1: Core Schematic Symbol

Figure 1 and Table 1 illustrate and define the schematic symbol signal names. All control inputs are active high. Should an active low input be required for a specific control pin, an inverter must be placed in the path to the pin and will be absorbed appropriately during synthesis and/or mapping.

Table 1: Core Signal Pinout

Signal	Direction	Optional	Description
CLK	Input	No	Clock – active rising edge.
CE	Input	Yes	Clock Enable – core clock enable (active High).
SCLR	Input	Yes	Synchronous Clear – synchronous reset (active High). Asserting SCLR synchronously with CLK resets all registers. SCLR has priority over CE.
D [d_width-1:0]	Input	Yes	D port – primary input to XtremeDSP slice pre-adder. Pre-adder supported only on Virtex-7, Kintex-7, Virtex-6, Spartan-6 and Spartan-3ADSP. Maximum d_width: <ul style="list-style-type: none"> <li>Virtex-5/6/7, Kintex-7 – 25 bits</li> <li>Other families – 18 bits</li> </ul>
A [a_width-1:0]	Input	Yes	A port – input to XtremeDSP slice multiplier and secondary input (subtrahend) to pre-adder (supported families only). Maximum a_width: <ul style="list-style-type: none"> <li>Virtex-5/6/7, Kintex-7 – 25 bits</li> <li>Other families – 18 bits</li> </ul>
ACIN [ac_width:0]	Input	Yes	Cascaded A port – used as per the A port but must be driven by the ACOUT of the previous XtremeDSP slice, avoids fabric routing and logic. Static selection between A and ACIN is made by the specified DSP Macro instructions. Fixed ac_width: <ul style="list-style-type: none"> <li>Virtex-5/6/7, Kintex-7 – 25 bits sign extended to 30</li> <li>Other families – 18 bits</li> </ul>
B [b_width-1:0]	Input	Yes	B port – second input to multiplier. Maximum b_width: 18 bits

**Table 1: Core Signal Pinout (Cont'd)**

Signal	Direction	Optional	Description
BCIN [bc_width-1:0]	Input	Yes	Cascaded B port. Must be driven by the BCOUT of the previous XtremeDSP slice. Static selection between B and BCIN. Available only on Virtex-5/6/7 and Kintex-7. Fixed bc_width: 18 bits
CONCAT [concat_width-1:0]	Input	Yes	CONCAT port – concatenation of the A and B XtremeDSP slice inputs. The D input is included in the concatenation for all devices except Virtex-4/5. Input to second stage add/sub. Mutually exclusive to the A,B and D ports. Maximum concat_width: <ul style="list-style-type: none"> <li>• Virtex-4 – 36 bits</li> <li>• Other families – 48 bits</li> </ul> <b>Note:</b> The A port, when specified, can be passed directly to the add/sub.
C [c_width-1:0]	Input	Yes	C port – input to XtremeDSP slice add/sub. Maximum c_width: 48 bits
PCIN [pc_width-1:0]	Input	Yes	PCIN port – cascaded P input from the previous XtremeDSP slice. Input to add/sub. Avoids fabric routing and provides a low latency path. Fixed pc_width: 48 bits
CARRYIN	Input	Yes	CARRYIN port – carry input from fabric, single bit.
CARRYCASCIN	Input	Yes	CARRYCASCIN port – cascaded carry input from the previous XtremeDSP slice. Can be used to construct large adders.
SEL [sel_width-1:0]	Input	Yes	SEL port – Selects from the enumerated list of instructions specified in the core GUI. Unsigned. Fixed sel_width: $\text{ceil}(\log_2(\text{num\_instructions}))$
P [p_msb-p_lsb:0]	Output	No	P port – output from XtremeDSP slice add/sub, provides the selected instructions result. Maximum p_msb: 47 bits <b>Note:</b> p_msb and p_lsb are derived from the Output Port Properties; Full Precision Width and Width. See <a href="#">CORE Generator Graphical User Interface, page 3</a> for more details.
CARRYOUT	Output	No	CARRYOUT port – carryout to fabric from add/sub.
ACOUT [ac_width-1:0]	Output	Yes	ACOUT port – optional cascade A output, ac_width defined for ACIN.
BCOUT [bc_width-1:0]	Output	Yes	BCOUT port – optional cascade B output, bc_width defined for BCIN.
PCOUT [pc_width-1:0]	Output	Yes	PCOUT port – optional cascade P output, pc_width defined for PCIN.
CARRYCASCOU	Output	Yes	CARRYCASCOU port – optional cascade carryout output.

## CORE Generator Graphical User Interface

The DSP48 Macro core GUI has three pages used to configure the core plus two informational tabs.

### Tab 1: IP Symbol

The IP Symbol tab illustrates the core pinout.

### Tab 2: Instruction Summary

The Instruction Summary tab displays the complete list of specified instructions and the SEL value that is required to select each instruction.

## Instructions Page

This page is used to specify the instructions that the core is to implement.

- **Component Name:** The name of the core component to be instantiated. The name must begin with a letter and be composed of the following characters: a to z, 0 to 9, and “\_”.
- **Available instructions:** Informational parameter. The parameter displays all the available instructions that the core supports given the CORE Generator project family. When the “Show Filtered” check-box is ticked, the available instruction list dynamically updates to show the remaining valid instructions given the instruction that is currently being entered into the GUI. Instructions can be selected in the Available instruction panel and “drag and dropped” into an Instruction parameter.
- **Instructions 0 to 7:** Specifies the operations the core is to implement. Text entry of the desired arithmetic operation to be generated on the P output port. The left side of the expression, P=, is implicitly declared and should not be specified. Instructions are case insensitive.

Valid operands: D, A, ACIN, B, BCIN, CONCAT, C, PCIN, CARRYIN, CARRYCASCIN, 0

Valid operators: +, -, \*, >>17, (, )

Valid functions: rndsimple, rndsym

Example instructions: A\*B+C, (D+A)\*B+PCIN, P-CONCAT-C, rndsym(PCIN)

See the [Instruction Format](#) section for further details on the instruction format and supported operations.

- **Instructions 8 to 63:** Specifies instructions 8 to 63 using a comma-delimited list of instructions.

## Pipeline Options Page

The pipeline depths of the various input paths are specified on this page.

- **Pipeline Options:** Specifies the pipeline method to be used: Automatic, By Tier and Expert.
- **Custom Pipeline options:** Specifies the pipeline depth of the various input paths.
  - **Tier 1 to 6:** When “By Tier” has been selected for Pipeline Options, these parameters are used to enable/disable the registers across all the input paths for a given pipeline stage. Some restrictions are enforced.
    - When P has been specified in an expression, tier 6 is forced, as asynchronous feedback is not supported.
    - On Spartan-3ADSP/6, tier 3 is forced when tier 5 and the pre-adder have been specified. The registering of the pre-adder control signals cannot be separated from the second stage adder control signals.
  - **Individual registers:** When “Expert” has been selected for the Pipeline Options, these parameters are used to enable/disable individual register stages. Some restrictions are enforced.
    - The P register is forced when P has been specified in an expression. Asynchronous feedback is not supported.
    - On Spartan-3ADSP/6, pipeline stage 5 CARRYIN register is tied to stage 5 SEL register. Stage 3 SEL register is forced when stage 5 SEL register and the pre-adder have been specified.
    - On Virtex-4, pipeline stage 5 CARRYIN register is forced when a rounding function on any multiplier input has been specified.

See [Detailed Pipeline Implementation](#), for further details on how the various pipeline stages relate to the core implementation.

## Implementation Page

- **Input Port Properties:** Specifies the bit-width of the D, A, B, CONCAT and C input ports. See [Table 1](#) for maximum port widths.
- **Output Port Properties:** Specifies the precision of the P output port; Full Precision and User Defined.
- The GUI automatically calculates the full precision output width given the width of the specified input ports. When P has been used as an operand, the full precision output width is set to the full XtremeDSP slice width of 48 bits. When Full Precision is selected, the output width is set to the full precision value. When User Defined is selected, the output width can be set to any value up to 48 bits. When the specified value is less than the full precision width, the output is truncated, that is, the LSBs are removed. This option should be used when a rounding function has been specified.
  - **Width:** Specifies the actual output width of the P output port. When specified to be less than Full Precision, the XtremeDSP slice output is truncated.
- **Additional Ports:** Specifies if the core will have a CARRYOUT output port or the ACOUT, BCOUT, PCOUT or CARRYCASCOU cascaded output ports.

- **Control Ports:**
  - **CE:** Specifies if the core will have a clock enable signal.
  - **SCLR:** Specifies if the core will have a synchronous clear signal.
- **Use XtremeDSP Slice:** Specifies if the core implementation will use an XtremeDSP slice or fabric equivalent. When a fabric implementation is specified, the core is unlikely to achieve the same  $F_{max}$  as an XtremeDSP slice.

## Core Use through Core Generator

The CORE Generator GUI performs error-checking on all input parameters. Several files are produced when a core is generated, and customized instantiation templates for Verilog and VHDL design flows are provided in the `.veo` and `.vho` files, respectively. For detailed instructions, see the CORE Generator software documentation.

## Instruction Format

The instructions are case insensitive and ignore spaces between operands. The left side of the arithmetic expression,  $P=$ , is implicitly declared and should not be specified

Valid operands: **D, A, ACIN, B, BCIN, CONCAT, C, PCIN, CARRYIN, CARRYCASCIN, 0.**

Valid operators: **+, -, \*, >>17, (, ).**

- The `>>17` operator targets the XtremeDSP slice 17-bit wire shift; this is available only on Virtex and Kintex families. Valid only for P and PCIN operators.

Valid functions: **rndsimple, rndsym**

- Rounding functions require that the P output width is less than full precision.
- See [Supported Functions](#), for further details.

## Examples

Accumulator

1. **C** : Load
2. **C+P** : Accumulate (add)
3. **P-C** : Accumulate (subtract)

Three input add:

1. **C+CONCAT+P**

Multiply Accumulate

1. **A\*B** : Load
2. **P+A\*B**: Multiply accumulate

15-tap symmetric filter, where data is provided sequentially on the A,D and B inputs. A and D are used for the data values and B is used for the filter coefficients.

1. **(A+D)\*B** : Taps 1 & 15
2. **(A+D)\*B+P** : Taps 2...7 & 14...9
3. **A\*B+P** : Tap 8
4. **rndsym(P)** : Round result

## Construction of Supported instructions

The following two sections illustrate how the list of supported instructions are constructed for the main variants: Virtex/Kintex and Spartan.

### Notation

$$varname = [ l1, l2, \dots ]$$

The above indicates *varname* supports the list of operator/operand combinations *l1*, *l2*, ....

### Virtex-4/5/6/7, Kintex-7

$$preadder = [ (A+D), (D+A), (D-A), D, -A, A, (ACIN+D), (D+ACIN), (D-ACIN), -ACIN, ACIN ]$$

Pre-adder supported only on Virtex-6/7 and Kintex-7.

$$mult\_ip1 = [ ACIN, A, preadder ]$$

$$mult\_ip2 = [ BCIN, B, 1 ]$$

$$mult = [ mult\_ip1 * mult\_ip2, mult\_ip2 * mult\_ip1 ]$$

The 1 is not explicitly required when defining an instruction; the 1 and corresponding \* operator are ignored. ACIN is not supported for Virtex-4.

$$xmux = [ CONCAT, P, 0 ]$$

$$ymux = [ C, 0 ]$$

$$zmux = [ C, PCIN, P, P \gg 17, PCIN \gg 17, 0 ]$$

$$cinmux = [ CARRYIN, CARRYCASCIN, 0 ]$$

Similarly 0 is not explicitly required when defining an instruction. The 0 and corresponding operator are ignored. CARRYCASCIN is not supported on Virtex-4.

$$xycomb = [ xmux + ymux, ymux + xmux, mult ]$$

**valid instructions = [**

$$xycomb + zmux + cinmux,$$

$$zmux + xycomb + cinmux,$$

$$zmux - (xycomb + cinmux),$$

$$zmux - xmux - ymux - cinmux,$$

$$zmux - ymux - xmux - cinmux,$$

$$rndsimple( zmux + xmux + cinmux )$$

$$rndsym( [ P, PCIN ] ) ]$$

Note that for the *rndsimple* functions, operand C is not supported for *zmux*.

### Restrictions

- CONCAT operand is mutually exclusive to *mult* operands. When any input to the multiplier is specified, the CONCAT operand is restricted for all instructions, or vice versa. The inclusion of 1 in *mult\_ip2* enables all *mult\_ip1* combinations to be used as direct inputs to the second stage add/sub.
- The choice between A and ACIN is static; once one is specified the other is restricted. Similarly for B and BCIN.
- The use of CARRYCASCIN in is restricted to a subset of instructions.

### Spartan-3ADSP/6

```

preadder = [ (A+D) , (D+A) , (D-A) , A , (ACIN+D) , (D+ACIN) , (D-ACIN) , ACIN ]
mult_ip1 = [ preadder ]
mult_ip2 = [ B , 1 ]
mult = [ mult_ip1 * mult_ip2 , mult_ip2 * mult_ip1 ]
xmux = [ CONCAT , P , mult , 0 ]
zmux = [ C , PCIN , P , 0 ]
cinmux = [ CARRYIN , CARRYCASCIN , 0 ]
    
```

The 0 and 1 are not explicitly required when defining an instruction. The 0, or 1, and corresponding operator are ignored.

```

valid instructions = [
    zmux + xmux + cinmux ,
    xmux + zmux + cinmux ,
    zmux - ( xmux + cinmux ) ,
    zmux - xmux - cinmux ,
    rndsimple( xmux + cinmux ) ]
    
```

#### Restrictions

- CONCAT operand is mutually exclusive to *mult* operands. When any input to the multiplier is specified, the CONCAT operand is restricted for all instructions, or vice versa. The inclusion of 1 in *mult\_ip2* enables all *mult\_ip1* combinations to be used as direct inputs to the second stage add/sub.
- The choice between A and ACIN is static; once one is specified the other is restricted.
- If CARRYCASCIN is specified, all further instructions will require CARRYCASCIN.

### Supported Functions

#### RNDSIMPLE(*arg*)

RNDSIMPLE implements a non-symmetric round to negative; this is equivalent to the MATLAB® software function *ceil(arg-0.5)*.

Table 2: Illustration of RNDSIMPLE Return Values

<i>arg</i>	RNDSIMPLE( <i>arg</i> )
<x.5	x
x.5	x
>x.5	x+1
>-x.5	-x
-x.5	-x-1
<-x.5	-x-1



The binary point of *arg* is defined by the full precision output width and the specified core output width; the core output is taken from the upper MSBs of the XtremeDSP slice output with the remaining LSBs considered as the fractional portion. The binary point is taken as *full precision p\_width - p\_width*. See [CORE Generator Graphical User Interface](#), for details of *full precision p\_width* and *p\_width*.

A rounding constant with a binary value of 0.0111...(or 0.499...) is added to *arg* and the LSBs removed by the process of reinterpreting the full precision output to the specified core output width. The LSBs remain on the accumulator.

*Arg* can include CARRYIN. This enables CARRYIN to determine the rounding direction. The assertion of CARRYIN is equivalent to adding 0.00...01. This modifies the rounding constant to 0.100.. (or 0.5) and therefore the rounding direction. This can be used to implement random rounding.

### **RNDSYM(*arg*)**

RNDSYM implements a symmetric round to highest magnitude; this is equivalent to the MATLAB function *round(arg)*.

*Table 3: Illustration of RNDSYM Return Values*

<i>arg</i>	RNDSYM( <i>arg</i> )
<x.5	x
x.5	x+1
>x.5	x+1
>-x.5	-x
-x.5	-x-1
<-x.5	-x-1

The binary point of *arg* is defined in the same manner as for the [RNDSIMPLE\(\*arg\*\)](#) function.

A rounding constant with a binary value of 0.0111.... (or 0.499...) is added to *arg* along with a carryin, defined as the inverse sign bit of *arg*. The LSBs are removed by the process of reinterpreting the full precision output to the specified core output width. The LSBs remain on the accumulator.

When carryin is 1, this is equivalent to adding 0.00....01. This modifies the rounding constant to 0.100.. (or 0.5) and therefore the rounding direction.

This function is available only on Virtex and Kintex families.

### Detailed Pipeline Implementation

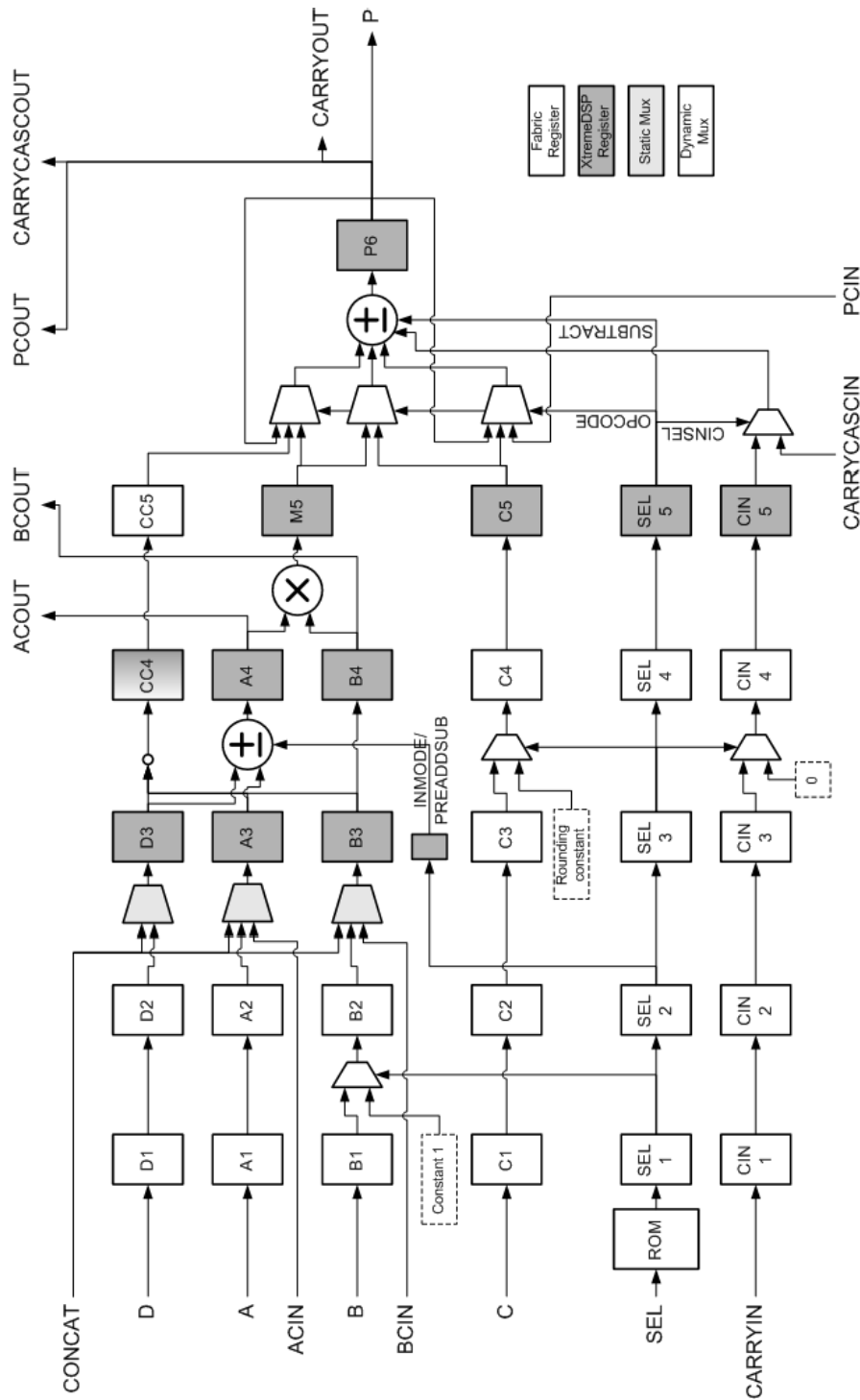


Figure 2: DSP48 Macro Detailed Implementation

Figure 2, page 10, illustrates the generalized DSP48 Macro implementation.

**Note:**

- The second stage add/sub input mux implementations vary depending on the selected device.
- Generally register CC4 is implemented using only XtremeDSP slice resources, but for some target devices it uses both fabric and XtremeDSP slice resources.
- The pre-adder is available only on Virtex-6/7, Kintex-7 and Spartan-3ADSP/6 FPGAs.
- A static mux is resolved at core generation, whereas a dynamic mux is implemented in the generated core.

**Simulation Models**

The core has a number of options for simulation models:

- VHDL behavioral model in the xilinxcorelib library
- VHDL UniSim-based structural simulation model
- Verilog UniSim-based structural simulation model

The models required may be selected in the CORE Generator project options.

Xilinx recommends that simulations utilizing UniSim-based structural models are run using a resolution of 1 ps. Some Xilinx library components require a 1 ps resolution to work properly in either functional or timing simulation. The UniSim-based structural simulation models may produce incorrect results if simulated with a resolution other than 1 ps. See the “Register Transfer Level (RTL) Simulation Using Xilinx Libraries” section in *Chapter 6 of the Synthesis and Simulation Design Guide* for more information. This document is part of the ISE® Software Manuals set available at [www.xilinx.com/support/software\\_manuals.htm](http://www.xilinx.com/support/software_manuals.htm).

**XCO Parameters**

Table 4 defines valid entries for the XCO parameters. Parameters are not case sensitive. Default values are displayed in bold. Xilinx strongly suggests that XCO parameters are not manually edited in the XCO file; instead, use the CORE Generator GUI to configure the core and perform range and parameter value checking. The XCO parameters are helpful in defining the interface to other Xilinx tools.

Table 4: XCO Parameters

XCO Parameter	Valid Values
component_name	ASCII text using characters: a..z, 0..9 and ‘_’; starting with a letter
instruction1	ASCII text, see sections <a href="#">Instructions Page</a> , and <a href="#">Instruction Format</a> , for details on valid instruction format. Default: <b>A*B+C</b>
instruction2	ASCII text
instruction3	ASCII text
instruction4	ASCII text
instruction5	ASCII text
instruction6	ASCII text
instruction7	ASCII text
instruction8	ASCII text
instruction_list	ASCII text, comma delimited list of instructions 8 to 64.
pipeline_options	<b>Automatic</b> , By_Tier, Expert

**Table 4: XCO Parameters (Cont'd)**

tier_1 ... _6	<b>false</b> , true
dreg_1 ... _3	false, true
areg_1 ... _4	false, true
breg_1 ... _4	false, true
creg_1 ... _5	false, true
concatreg_3 ... _5	false, true
opreg_1 ... _5	false, true
cinreg_1 ... _5	false, true
mreg_5	false, true
preg_6	<b>true</b> , false
d_width	2 - 18, Default is 18
a_width	2 - 18/25, Default is 18
b_width	2 - 18, Default is 18
concat_width	2 - 36/48, Default is 36/48
c_width	2 - 48, Default is 48
output_properties	<b>Full_Precision</b> , User_Defined
p_width	2 - 48, Default is set to p_full_width
has_carryout	<b>false</b> , true
has_acout	<b>false</b> , true
has_bcout	<b>false</b> , true
has_carrycascout	<b>false</b> , true
has_pcout	<b>false</b> , true
has_ce	<b>false</b> , true
has_sclr	<b>false</b> , true
use_dsp48	<b>true</b> , false

## Core Use through System Generator

The DSP48 Macro core is available through Xilinx System Generator for DSP, a design tool that enables the use of the model-based design environment Simulink® for FPGA design. The DSP48 Macro core is one of the DSP building blocks provided in the Xilinx blockset for Simulink. The core can be found in the Xilinx Blockset in the DSP section. The block is called “DSP48 Macro v2.0.” See the System Generator for DSP User Manual for more information.

## System Generator for DSP Graphical User Interface

This section describes each tab of the System Generator for DSP GUI and details the parameters that differ from the CORE Generator GUI.

## Tab 1: Instructions

The Instruction tab is used to define the operations that the core is to implement. Each instruction can be entered on a new line, or in a comma delimited list, and are enumerated from the top down. A maximum of 64 instructions can be specified. See [Instructions Page, page 4](#), of [CORE Generator Graphical User Interface](#), and [Instruction Format, page 6](#), of [Core Use through Core Generator](#), for details on supported instructions and their format.

## Tab 2: Pipeline Options

The Pipeline Options tab is used to define the pipeline depth of the various input paths. Refer to the [Pipeline Options Page, page 4](#), of [CORE Generator Graphical User Interface](#) for details of all the core parameters on this tab.

## Tab 3: Implementation

The Implementation tab is used to define implementation options. Refer to the [Implementation Page, page 5](#), of [CORE Generator Graphical User Interface](#) for details of all the core parameters on this tab.

- **Output Port Properties:** Specifies the precision of the P output port; Full Precision and User Defined.
- The core automatically calculates the full precision output width and binary point position given the width and binary point of the specified input ports. When P has been used as an operand, the full precision output width is set to the full XtremeDSP slice width of 48 bits.
- When Full Precision is selected, the output is set to full precision width and binary point.
- When User Defined is selected, the output width can be set to any value up to 48 bits. The output formatting has two modes of operation:
  - Full precision binary point is calculated to be zero.
    - When the output width is specified to be less than the full precision width, the output will be truncated, that is, the LSBs will be removed.
  - Full precision binary point is calculated to be greater than zero.
    - The binary point is anchored. The output of the core behaves in the same manner as a System Generator Convert block with the following settings: Quantization -> Truncate and Overflow -> Wrap. Some restrictions on the binary point values will be enforced; it cannot be greater than the full precision binary point value and its permitted minimum value will be modified to ensure that when the binary point value and output width are combined, the resulting MSB value does not exceed 48 bits.
- **Width:** Specifies the user-defined output width of the P output port.
- **Binary Point:** Specifies the user-defined binary point of the P output port.
- **rst:** Specifies if the core will have a reset pin (the equivalent of selecting the SCLR option in the CORE Generator GUI).
- **en:** Specifies if the core will have a clock enable pin (the equivalent of selecting the CE option in the CORE Generator GUI).
- **FPGA Area Estimation:** See the System Generator for DSP documentation for detailed information about this section.

## Performance and Resource Utilization

Tables 5 to 8 provide performance and resource usage information for a number of different core configurations.

The maximum clock frequency results were obtained by double-registering input and output ports to reduce dependence on I/O placement. The inner level of registers used a separate clock signal to measure the path from the input registers to the first output register through the core.

The resource usage results do not include the preceding “characterization” registers and represent the true logic used by the core to implement a single multiplier. LUT counts include SRL16s or SRL32s (according to device family).

The map options used were: “map -ol high”

The par options used were: “par -ol high”

Clock frequency does not take clock jitter into account and should be derated by an amount appropriate to the clock source jitter specification.

The maximum achievable clock frequency and the resource counts may also be affected by other tool options, additional logic in the FPGA device, using a different version of Xilinx tools, and other factors.

The instruction sequences given in Examples, page 6, of the Instruction Format section have been used to generate the following performance and resource usage information. The three-input add, Example 2, was changed to a two-input add for the Spartan FPGA resource estimates. Example 4 was modified to a non-symmetric filter implementation for the Virtex-5 FPGA implementation, as the pre-adder is not supported by its XtremeDSP slice. Default input port widths were used for all examples.

The Virtex-6 FPGA test cases in Table 5 used ISE speed file version “ADVANCED 1.02b 2009-10-07.”

Table 5: Virtex-6 (Part = XC6VLX75T-1)

	Pipeline Options	Output Port Properties	Use XtremeDSP Slice	Maximum Clock Frequency (MHz)	LUT/FF Pairs	XtremeDSP Slices
<b>Example 1</b> (Accumulator)	Automatic	Full Precision	Yes	452	52	1
<b>Example 2</b> (Three-input add)	Expert (PREG6, CREG5, CONCATREG4, CONCATREG3)	Full Precision	Yes	452	0	1
<b>Example 3</b> (Multiply Accumulate)	Automatic	Full Precision	Yes	452	2	1
<b>Example 4</b> (FIR filter)	Automatic	Reduced Precision 18-bit output	Yes	452	6	1
<b>Example 5</b> (FIR filter)	Automatic	Reduced Precision 18-bit output	No	152	761	0

The Virtex-5 FPGA test cases in [Table 6](#) used ISE speed file version “PRODUCTION 1.66 2009-10-07, STEPPING level 0.”

**Table 6: Virtex-5 (Part = XC5VSX35T-1)**

	Pipeline Options	Output Port Properties	Use XtremeDSP Slice	Maximum Clock Frequency (MHz)	LUT/FF Pairs	XtremeDSP Slices
<b>Example 1</b> (Accumulator)	Automatic	Full Precision	Yes	450	102	1
<b>Example 2</b> (Three-input add)	Expert (PREG6, CREG5, CONCATREG4, CONCATREG3)	Full Precision	Yes	450	0	1
<b>Example 3</b> (Multiply Accumulate)	Automatic	Full Precision	Yes	450	4	1
<b>Example 4</b> (FIR filter)	Automatic	Reduced Precision 18-bit output	Yes	450	8	1
<b>Example 5</b> (FIR filter)	Automatic	Reduced Precision 18-bit output	No	112	744	0

The Spartan-6 FPGA test cases in [Table 7](#) used ISE speed file version “ADVANCED 1.02d 2009-10-07.”

**Table 7: Spartan-6 (Part = XC6SLX75-2)**

	Pipeline Options	Output Port Properties	Use XtremeDSP Slice	Maximum Clock Frequency (MHz)	LUT/FF Pairs	XtremeDSP Slices
<b>Example 1</b> (Accumulator)	Automatic	Full Precision	Yes	251	52	1
<b>Example 2</b> (Two-input add)	Expert (PREG6, CREG5, CONCATREG4, CONCATREG3)	Full Precision	Yes	250	6	1
<b>Example 3</b> (Multiply Accumulate)	Automatic	Full Precision	Yes	251	2	1
<b>Example 4</b> (FIR filter)	Automatic	Reduced Precision 18-bit output	Yes	251	3	1
<b>Example 5</b> (FIR filter)	Automatic	Reduced Precision 18-bit output	No	77	654	0

The Spartan-3ADSP FPGA test cases in [Table 8](#) used ISE speed file version “PRODUCTION 1.33 2009-10-07.”

**Table 8: Spartan-3ADSP (Part = XC3SD1800A-4)**

	Pipeline Options	Output Port Properties	Use XtremeDSP Slice	Maximum Clock Frequency (MHz)	Slices	XtremeDSP Slices
<b>Example 1</b> (Accumulator)	Automatic	Full Precision	Yes	250	52	1
<b>Example 2</b> (Two-input add)	Expert (PREG6, CREG5, CONCATREG4, CONCATREG3)	Full Precision	Yes	250	6	1
<b>Example 3</b> (Multiply Accumulate)	Automatic	Full Precision	Yes	250	2	1
<b>Example 4</b> (FIR filter)	Automatic	Reduced Precision 18-bit output	Yes	250	5	1
<b>Example 5</b> (FIR filter)	Automatic	Reduced Precision 18-bit output	No	63	436	0

## References

1. [XtremeDSP for Virtex-4 FPGAs User Guide](#)
2. [Virtex-5 FPGA XtremeDSP Design Considerations User Guide](#)
3. [Virtex-6 FPGA DSP48E1 Slice User Guide](#)
4. [XtremeDSP DSP48A for Spartan-3A DSP FPGAs User Guide](#)
5. [Spartan-6 FPGA DSP48A1 Slice User Guide](#)

## Support

Xilinx provides technical support for this LogiCORE product when used as described in the product documentation. Xilinx cannot guarantee timing, functionality, or support of product if implemented in devices that are not defined in the documentation, if customized beyond that allowed in the product documentation, or if changes are made to any section of the design labeled *DO NOT MODIFY*.

Refer to the IP Release Notes Guide ([XTP025](#)) for further information on this core. There is a link to all the DSP IP and then to each core. For each core, there is a master Answer Record that contains the Release Notes and Known Issues list for each core. The following information is listed for each version of the core:

- New Features
- Bug Fixes
- Known Issues



## Ordering Information

This LogiCORE IP module is included at no additional cost with the Xilinx ISE Design Suite software and is provided under the terms of the [Xilinx End User License Agreement](#). Use the CORE Generator software included with the ISE Design Suite to generate the core. For more information, please visit the [core page](#).

Please contact your local Xilinx [sales representative](#) for pricing and availability of additional Xilinx LogiCORE modules and software. Information about additional Xilinx LogiCORE modules is available on the Xilinx [IP Center](#).

## Revision History

The following table shows the revision history for this document:

Date	Version	Description of Revisions
12/02/09	1.0	Initial Xilinx release.
03/01/11	1.1	Support added for Virtex-7 and Kintex-7. ISE Design Suite 13.1

## Notice of Disclaimer

Xilinx is providing this product documentation, hereinafter "Information," to you "AS IS" with no warranty of any kind, express or implied. Xilinx makes no representation that the Information, or any particular implementation thereof, is free from any claims of infringement. You are responsible for obtaining any rights you may require for any implementation based on the Information. All specifications are subject to change without notice. XILINX EXPRESSLY DISCLAIMS ANY WARRANTY WHATSOEVER WITH RESPECT TO THE ADEQUACY OF THE INFORMATION OR ANY IMPLEMENTATION BASED THEREON, INCLUDING BUT NOT LIMITED TO ANY WARRANTIES OR REPRESENTATIONS THAT THIS IMPLEMENTATION IS FREE FROM CLAIMS OF INFRINGEMENT AND ANY IMPLIED WARRANTIES OF MERCHANTABILITY OR FITNESS FOR A PARTICULAR PURPOSE. Except as stated herein, none of the Information may be copied, reproduced, distributed, republished, downloaded, displayed, posted, or transmitted in any form or by any means including, but not limited to, electronic, mechanical, photocopying, recording, or otherwise, without the prior written consent of Xilinx.