

Introduction

The Xilinx® LogiCORE™ IP JESD204 core implements a JESD204B interface supporting line rates from 1 Gb/s to 12.5 Gb/s. The JESD204 core can be configured as transmit or receive.

Additional Documentation

A product guide is available for this core. Access to this material may be requested by clicking on this registration link: www.xilinx.com/member/jesd204/index.htm.

Features

- Designed to JEDEC® JESD204B
- Supports 1 to 8 lane configurations
- Supports Initial Lane Alignment
- Supports scrambling
- Supports 1-256 octets per frame⁽¹⁾
- Supports 1-32 frames per multi frame⁽¹⁾
- Supports Subclass 0, 1 and 2
- Physical and Data Link Layer functions provided
- AXI4-Lite configuration interface
- AXI4-Stream data interface
- Supports GTX, GTH or GTP transceiver sharing
- GTX or GTH transceivers supported in Zynq-7000 All Programmable SoC and Kintex-7 and Virtex-7 FPGAs
- GTP transceivers supported in Artix-7

1. The maximum supported LMFC size is 1000 (F*K must be less than or equal to 1000) and the minimum is 20.

| LogiCORE IP Facts Table | |
|---|--|
| Core Specifics | |
| Supported Device Family ⁽¹⁾ | Zynq®-7000, Virtex®-7, Kintex®-7, Artix®-7 |
| Supported User Interfaces | AXI4-Stream, AXI4-Lite |
| Provided with Core | |
| Design Files | Vivado: Encrypted RTL |
| Example Design | Verilog |
| Test Bench | Verilog |
| Constraints File | Vivado: XDC |
| Simulation Model | Verilog |
| Supported S/W Driver | N/A |
| Tested Design Flows⁽²⁾ | |
| Design Entry | Vivado® Design Suite IP Integrator |
| Simulation | For supported simulators, see the Xilinx Design Tools: Release Notes Guide . |
| Synthesis | Vivado Synthesis |
| Support | |
| Provided by Xilinx @ www.xilinx.com/support | |

Notes:

1. For a complete listing of supported devices, see the Vivado IP Catalog.
2. For the supported versions of the tools, see the [Xilinx Design Tools: Release Notes Guide](#).

Applications

JESD204 is a high-speed serial interface designed to connect Analog-to-Digital Converter (ADCs) and Digital-to-Analog Converter (DACs) to logic devices. The JESD204 interface is specified in the *JEDEC JESD204A Specification 2008* and the *JEDEC JESD204B Specification 2011*. [Figure 1](#) and [Figure 2](#) illustrate how the JESD204 provides the interface between an ADC/DAC and user logic over an example 4 lane interface.

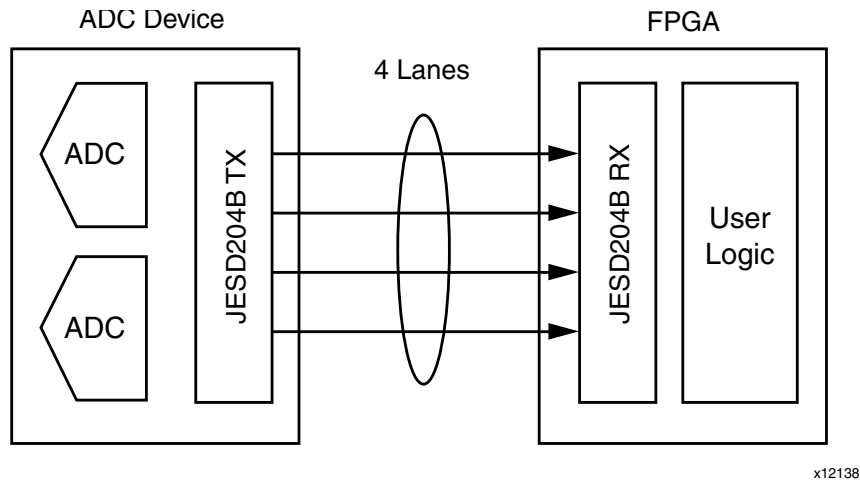


Figure 1: ADC Application

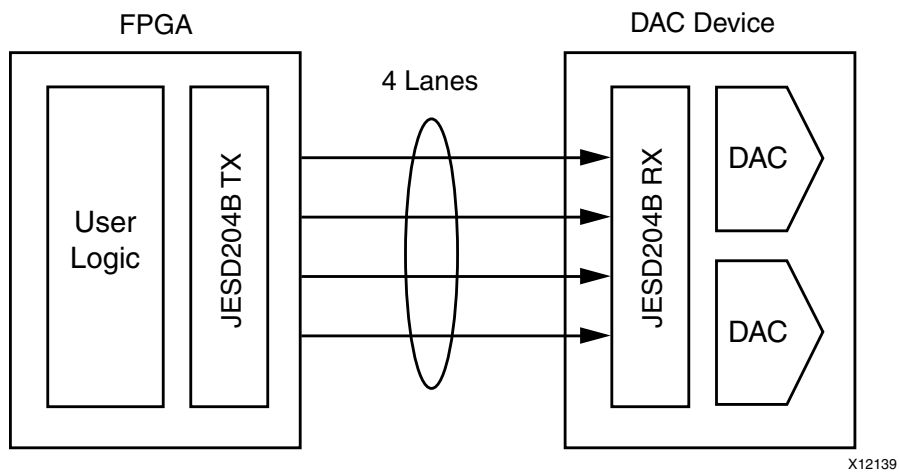


Figure 2: DAC Application

Technical Support

Xilinx provides technical support at www.xilinx.com/support for this LogiCORE™ IP product when used as described in the product documentation. Xilinx cannot guarantee timing, functionality, or support of product if implemented in devices that are not defined in the documentation, if customized beyond that allowed in the product documentation, or if changes are made to any section of the design labeled DO NOT MODIFY.

Licensing and Ordering Information

A free evaluation version of the core is provided with the Xilinx® Vivado Design Suite, which lets you assess the core functionality and demonstrates the various interfaces of the core in simulation. To access the evaluation version visit the [JESD204 IP Evaluation](#) page.

This Xilinx LogiCORE IP module is provided under the terms of the [Xilinx Core License Agreement](#). The module is shipped as part of the Vivado Design Suite. For full access to all core functionalities in simulation and in hardware, you must purchase a license for the core. Contact your [local Xilinx sales representative](#) for information about pricing and availability.

For more information, visit the JESD204 [product web page](#).

Information about other Xilinx LogiCORE IP modules is available at the [Xilinx Intellectual Property](#) page. For information on pricing and availability of other Xilinx LogiCORE IP modules and tools, contact your [local Xilinx sales representative](#).

Revision History

The following table shows the revision history for this document:

| Date | Version | Description of Revisions |
|------------|---------|--|
| 07/25/2012 | 1.0 | Initial Xilinx release. |
| 12/18/2012 | 2.0 | Updated for 2012.4 <ul style="list-style-type: none"> • The core now supports 1, 2, 3, 4, 5, 6, 7 and 8 lane configurations in 7 series devices • Added 12.5 Gb/s line rate support • Removed JESD204A (new designs should use JESD204B subclass 0) • Removed ISE • Added three new test modes • Added software lane select |
| 03/20/2013 | 3.0 | Updated to core version 4.0. <ul style="list-style-type: none"> • Hierarchy updated; block level now the default core top level • AXI4-Lite address map corrections, including addition of byte write support • Added Artix™-7 support • Increase rx_buffer_adjust from 256 to 1024 • Pipeline stage added to receiver to improve timing • Zynq support added to HW demonstration platform |
| 10/02/2013 | 5.0 | <ul style="list-style-type: none"> • Revision number advanced to 5.0 to align with core version number. • Replaced option to generate shared core with option to include or exclude shareable logic resources in the core. • Added option to include or exclude RPAT and JSPAT modules. • Added optional transceiver control and status ports. • Removed GUI option for JESD204 subclass selection; subclass is now selected using a register. • AXI4-Lite address map has been updated. • A single AXI4-Stream bus is used for all txdata and rxdata lanes |

Notice of Disclaimer

The information disclosed to you hereunder (the "Materials") is provided solely for the selection and use of Xilinx products. To the maximum extent permitted by applicable law: (1) Materials are made available "AS IS" and with all faults, Xilinx hereby DISCLAIMS ALL WARRANTIES AND CONDITIONS, EXPRESS, IMPLIED, OR STATUTORY, INCLUDING BUT NOT LIMITED TO WARRANTIES OF MERCHANTABILITY, NON-INFRINGEMENT, OR FITNESS FOR ANY PARTICULAR PURPOSE; and (2) Xilinx shall not be liable (whether in contract or tort, including negligence, or under any other theory of liability) for any loss or damage of any kind or nature related to, arising under, or in connection with, the Materials (including your use of the Materials), including for any direct, indirect, special, incidental, or consequential loss or damage (including loss of data, profits, goodwill, or any type of loss or damage suffered as a result of any action brought by a third party) even if such damage or loss was reasonably foreseeable or Xilinx had been advised of the possibility of the same. Xilinx assumes no obligation to correct any errors contained in the Materials or to notify you of updates to the Materials or to product specifications. You may not reproduce, modify, distribute, or publicly display the Materials without prior written consent. Certain products are subject to the terms and conditions of the Limited Warranties which can be viewed at <http://www.xilinx.com/warranty.htm>; IP cores may be subject to warranty and support terms contained in a license issued to you by Xilinx. Xilinx products are not designed or intended to be fail-safe or for use in any application requiring fail-safe performance; you assume sole risk and liability for use of Xilinx products in Critical Applications: <http://www.xilinx.com/warranty.htm#critapps>.