

The LogiCORE™ IP Endpoint Block Plus for PCI Express® core is a high-bandwidth, scalable, and reliable serial interconnect building block for use with Virtex®-5 LXT/SXT/FXT/TXT FPGA devices. The Endpoint Block Plus for PCI Express (PCIe®) solution supports 1-lane, 2-lane, 4-lane, and 8-lane configurations, all of which are protocol-compliant and electrically compatible with the *PCI Express Base Specification v1.1*.

PCI Express offers a serial architecture that alleviates many of the limitations of parallel bus architectures by using clock data recovery (CDR) and differential signaling. Using CDR (as opposed to source synchronous clocking) lowers pin count, enables superior frequency scalability, and makes data synchronization easier. The layered architecture of PCI Express provides for future attachment to copper, optical, or emerging physical signaling media. PCI Express technology, adopted by the PCI-SIG as the next generation PCI, is backward-compatible to the existing PCI software model.

With higher bandwidth per pin, low overhead, low latency, reduced signal integrity issues, and CDR architecture, the Endpoint Block Plus for PCIe sets the industry standard for a high-performance, cost-efficient third-generation I/O solution.

The Endpoint Block Plus solutions are compatible with industry-standard application form factors such as the *PCI Express Card Electromechanical (CEM) v1.1* and the *PCI Industrial Computer Manufacturers Group (PICMG) 3.4* specifications.

The Endpoint Block Plus for PCIe solutions are defined in the following table.

Product	FPGA Support	Data Path Width
1-lane Endpoint Block Plus	Virtex-5 FPGA LXT/SXT/FXT/TXT	64
2-lane Endpoint Block Plus		64
4-lane Endpoint Block Plus		64
8-lane Endpoint Block Plus		64

LogiCORE IP Facts					
Core Specifics					
Supported FPGA Families <sup>(1)</sup>	Virtex-5 LXT/SXT/FXT/TXT <sup>(2)</sup>				
Minimum Device Req.	1-lane Endpoint Block Plus	XC5VLX20T-1 <sup>(3)</sup>			
	2-lane Endpoint Block Plus	XC5VFX35T-1			
	4-lane Endpoint Block Plus	XC5VFX30T-1			
	8-lane Endpoint Block Plus	XC5VTX150T-1			
Resources Used	<b>Product</b>	<b>I/O<sup>(4)</sup></b>	<b>LUT<sup>(5)</sup></b>	<b>FF<sup>4</sup></b>	
	1-lane Endpoint Block Plus	1 <sup>(6)</sup>	2125	2625	
	2-lane Endpoint Block Plus	2	2150	2675	
	4-lane Endpoint Block Plus	4	2175	2750	
	8-lane Endpoint Block Plus	8	2250	2925	
		<b>Block RAM</b>	<b>CMPS<sup>(7)</sup> # Tx Buffers</b>	<b>CMPS</b>	
	1-lane Endpoint Block Plus	6	14 <sup>(8)</sup>	512	
	2-lane Endpoint Block Plus				
4-lane Endpoint Block Plus					
8-lane Endpoint Block Plus					
Special Features	GTP and GTX Transceivers Virtex-5 Integrated Block for PCI Express Phased Lock Loop, Block RAM				
<b>Provided with Core</b>					
Documentation	Product Specification, Getting Started Guide, User Guide, Instantiation Template				
Design Files	Verilog® and VHDL Simulation Models Verilog Source Files Verilog and VHDL Test Bench Verilog and VHDL Example Design				
Constraints File	User Constraints File (UCF)				
<b>Design Tool Support</b>					
HDL Synthesis Tool	XST, Synopsys® Synplify® Pro D-2009.12				
Xilinx Implementation Tools	Xilinx ISE® v12.1				
Simulation Tools <sup>(9)</sup>	Cadence® Incisive Enterprise Simulator (IES) v9.2 and above Synopsys® VCS and VCS MX 2009.12 and above Mentor Graphics® ModelSim® v6.5c and above				
<b>Support</b>					
Provided by Xilinx, Inc. @ <a href="http://www.xilinx.com/support">www.xilinx.com/support</a>					

- For the complete list of supported devices, see the 12.1 release notes for this core.
- Virtex-5 FPGA solutions require the latest production silicon stepping and are pending hardware validation; the LogiCORE IP warranty does not include production usage with engineering sample silicon (ES).
- XC5VLX20T does not support 8-lane product.
- GTP or GTX transceivers.
- Numbers are for the default core configuration; actual LUT and FF utilization values vary based on specific configurations.
- In Virtex-5 devices, 1-lane Endpoint core uses 1 GTP/GTX tile (2 GTP or GTX transceivers).
- Capability Maximum Payload Size (CMPS).
- Supports 14 TLPs at CMPS (512 bytes payload):
  - 8 Non-posted, 3 Posted, 3 Completion.
  - Supports 22 TLPs at 256 bytes payload: 8 Non-posted, 7 Posted, 7 Completion.
  - Supports 24 TLPs at 128 bytes payload or less: 8 Non-posted, 8 Posted, 8 Completion.
- Requires a Verilog LRM-IEEE 1364-2005 encryption-compliant simulator. For VHDL simulation, a mixed HDL license is required.

## Features

- High-performance, highly flexible, scalable, and reliable, general purpose I/O core
  - ◆ Compliant with the *PCI Express Base Specification v1.1*
  - ◆ Compatible with conventional PCI software model
- Incorporates Xilinx Smart-IP™ technology to guarantee critical timing
- Uses GTP transceivers for Virtex-5 LXT and SXT devices and GTX transceivers for Virtex-5 FXT and TXT devices
  - ◆ 2.5 Gbps line speed
  - ◆ Supports 1-lane, 2-lane, 4-lane, and 8-lane operation
  - ◆ Elastic buffers and clock compensation
  - ◆ Automatic clock data recovery
- 8b/10b encode and decode
- Supports Lane Reversal and Lane Polarity Inversion per PCI Express specification requirements
- Standardized user interface
  - ◆ Easy-to-use packet-based protocol
  - ◆ Full-duplex communication
  - ◆ Back-to-back transactions enable greater link bandwidth utilization
  - ◆ Supports flow control of data and discontinuation of an in-process transaction in transmit direction
  - ◆ Supports flow control of data in receive direction
- Supports removal of corrupted packets for error detection and recovery
- Compliant with PCI/PCI Express power management functions
- Supports a maximum transaction payload of up to 512 bytes
- Supports Multi-Vector MSI for up to 32 vectors
- Bandwidth scalability with interconnect width
- Fully compliant with PCI Express transaction ordering rules

## Applications

The Endpoint Block Plus for PCI Express architecture enables a broad range of computing and communications target applications, emphasizing performance, cost, scalability, feature extensibility and mission-critical reliability. Typical applications include

- Data communications networks
- Telecommunications networks
- Broadband wired and wireless applications
- Cross-connects
- Network interface cards
- Chip-to-chip and backplane interconnect
- Crossbar switches
- Wireless base stations

## Functional Description

The Endpoint Block Plus for PCIe internally instances the Virtex-5 FPGA Integrated Block for PCI Express. For information about the internal architecture of the Virtex-5 FPGA Endpoint block, see [UG 197, Virtex-5 FPGA Integrated Endpoint Block for PCI Express Designs User Guide](#). [Figure 1](#) illustrates the interfaces to the core.

- System (SYS) interface
- PCI Express (PCI EXP) interface
- Configuration (CFG) interface
- Transaction (TRN) interface

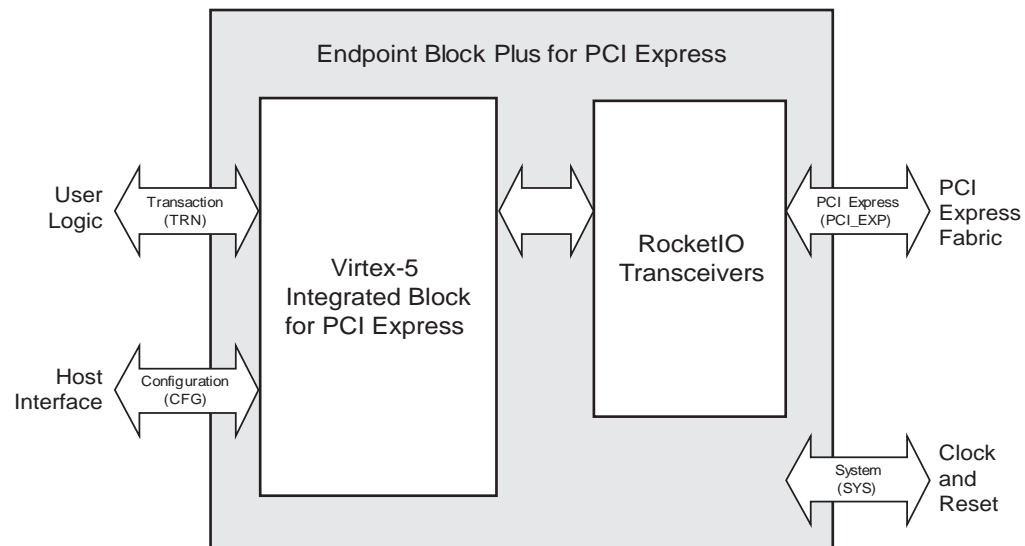


Figure 1: Endpoint Block Plus for PCI Express Top-level Functional Blocks and Interfaces

## Protocol Layers

The Endpoint Block Plus for PCIe follows the *PCI Express Base Specification* layering model, which consists of the Physical, Data Link, and Transaction Layers. The protocol uses packets to exchange information between layers. Packets are formed in the Transaction and Data Link Layers to carry information from the transmitting component to the receiving component. Necessary information is added to the packet being transmitted, which is required to handle the packet at specific layers.

At the receiving end, each layer of the receiving element processes the incoming packet, strips the relevant information and forwards the packet to the next layer. As a result, the received packets are transformed from their Physical Layer representation to their Data Link Layer representation and Transaction Layer representation.

The functions of the protocol layers include:

- Generating and processing of TLPs
- Flow-control management
- Initialization and power management functions
- Data protection
- Error checking and retry functions
- Physical link interface initialization

- Maintenance and status tracking
- Serialization, de-serialization and other circuitry for interface operation

Each of the protocol layers are defined in the sections that follow.

### Physical Layer

The Physical Layer exchanges information with the Data Link Layer in an implementation-specific format. This layer is responsible for converting information received from the Data Link Layer into an appropriate serialized format and transmitting it across the PCI Express Link at a frequency and width compatible with the remote device.

### Data Link Layer

The Data Link Layer acts as an intermediate stage between the Transaction Layer and the Physical Layer. Its primary responsibility is to provide a reliable mechanism for the exchange of Transaction Layer Packets (TLPs) between the two Components on a Link.

Services provided by the Data Link Layer include data exchange (TLPs), error detection and recovery, initialization services and the generation and consumption of Data Link Layer Packets (DLLPs). DLLPs are the mechanism used to transfer information between Data Link Layers of two directly connected components on the Link. DLLPs are used for conveying information such as Flow Control and TLP acknowledgments.

### Transaction Layer

The upper layer of the PCI Express architecture is the Transaction Layer. The primary function of the Transaction Layer is the assembly and disassembly of Transaction Layer Packets (TLPs). Packets are formed in the Transaction and Data Link Layers to carry the information from the transmitting component to the receiving component. TLPs are used to communicate transactions, such as read and write, as well as certain types of events. To maximize the efficiency of communication between devices, the Transaction Layer implements a pipelined, full split-transaction protocol and manages credit-based flow control of TLPs.

### Configuration Management

The Configuration Management Layer supports generation and reception of System Management Messages by communicating with the other layers and the user application. This layer contains the device configuration space and other system functions. The Configuration layer implements PCI/PCI-Express power management capabilities, and facilitates exchange of power management messages, including support for PME event generation. Also implemented are user-triggered error message generation, and user-read access to the device configuration space.

## PCI Configuration Space

This integrated block provides a standard Type 0 configuration space. The configuration space consists of a Type 0 configuration space header and extended capabilities. Four extended capabilities are provided in the interface:

- Express capability structure
- Power management capability structure
- Message signaled interrupt capability structure
- Device serial number extended capability structure

These capabilities, together with the standard Type 0 header shown in [Table 1](#), support software driven *Plug and Play* initialization and configuration.

Table 1: PCI Configuration Space Header

31	16	15	0	
Device ID		Vendor ID		000h
Status		Command		004h
Class Code			Rev ID	008h
BIST	Header	Lat Timer	Cache Ln	00Ch
Base Address Register 0				010h
Base Address Register 1				014h
Base Address Register 2				018h
Base Address Register 3				01Ch
Base Address Register 4				020h
Base Address Register 5				024h
Cardbus CIS Pointer				028h
Subsystem ID		Subsystem Vendor ID		02Ch
Expansion ROM Base Address				030h
Reserved			CapPtr	034h
Reserved				038h
Max Lat	Min Gnt	Intr Pin	Intr Line	03Ch
PM Capability		NxtCap	PM Cap	040h
Data	BSE	PMCSR		044h
MSI Control		NxtCap	MSI Cap	048h
Message Address (Lower)				04Ch
Message Address (Upper)				050h
Reserved		Message Data		054h
Reserved Legacy Configuration Space (Returns 0x00000000)				058h-05Ch
PE Capability		NxtCap	PE Cap	060h
PCI Express Device Capabilities				064h
Device Status		Device Control		068h
PCI Express Link Capabilities				06Ch
Link Status		Link Control		070h
Reserved Legacy Configuration Space (Returns 0x00000000)				074h-0FFh
Next Cap	Cap. Ver.	PCI Exp. Capability		100h
PCI Express Device Serial Number (1st)				104h
PCI Express Device Serial Number (2nd)				108h
Reserved Extended Configuration Space (Returns 0x00000000)				10Ch-FFFh

## Endpoint Interfaces

The Endpoint Block Plus for PCIe core includes top-level signal interfaces that have sub-groups for the receive direction, transmit direction, and the signals common to both directions.

### System Interface

**Table 2** defines the System (SYS) interface signals. The system reset (`sys_reset_n`) signal is an asynchronous input (active low). The assertion of this signal causes a hard reset of the entire endpoint, including the GTP or GTX transceivers. In the CEM add-in card form factor, the PERST# signal should be connected to the `sys_reset_n` signal. For form factors where no sideband reset is available, it must be generated locally. `sys_reset_n` can be tied deasserted in certain form factors where a global reset signal is unavailable. In this case, the core sees a *warm reset* only on device power-on and can be subsequently reset by the connected downstream port utilizing the in-band *hot reset* mechanism.

The system clock signal (`sys_clk`) is used to clock the entire endpoint, including the transceivers. The system clock is used to clock logic that coordinates the hardware reset process. This clock must be a free-running clock that is not a DCM output.

For reference clock guidelines for GTP and GTX Transceivers, see one of the following:

- For Virtex-5 FPGA GTP Transceivers, see "Chapter 10, GTP-to-Board Interface," in the [Virtex-5 FPGA GTP Transceiver User Guide](#).
- For Virtex-5 FPGA GTX Transceivers, see "Chapter 10, GTX-to-Board Interface," in the [Virtex-5 FPGA GTX Transceiver User Guide](#).

Additional information about core clocking considerations can be found in [Answer Record 18329](#).

The reference clock output signal (`refclkout`) is a free running reference clock output based on the Reference Clock Frequency selected (`sys_clk`). This clock signal is derived from the PCIe Lane 0 GTP/GTX REFCLK output, and is available on the FPGA global clock network (BUFG output).

**Table 2: System Interface Signals**

Name	Direction	Description										
<code>sys_reset_n</code>	Input	<p><b>System Reset:</b> An asynchronous input (active low) signal reset from the root complex/system that places the endpoint in a known initial state.</p> <p><b>Note:</b> <code>sys_reset_n</code> can be tied deasserted in certain form factors where a global reset signal is unavailable. In this case, the core sees a warm reset only on device power-on and can be subsequently reset by the connected downstream port utilizing the in-band hot reset mechanism.</p>										
<code>sys_clk</code>	Input	<p><b>Reference Clock:</b> The reference clock for the Endpoint Block Plus solutions.</p> <table border="1"> <thead> <tr> <th>Product</th> <th>Reference Clock</th> </tr> </thead> <tbody> <tr> <td>1-lane Endpoint Block Plus</td> <td>100 or 250 MHz</td> </tr> <tr> <td>2-lane Endpoint Block Plus</td> <td>100 or 250 MHz</td> </tr> <tr> <td>4-lane Endpoint Block Plus</td> <td>100 or 250 MHz</td> </tr> <tr> <td>8-lane Endpoint Block Plus</td> <td>100 or 250 MHz</td> </tr> </tbody> </table>	Product	Reference Clock	1-lane Endpoint Block Plus	100 or 250 MHz	2-lane Endpoint Block Plus	100 or 250 MHz	4-lane Endpoint Block Plus	100 or 250 MHz	8-lane Endpoint Block Plus	100 or 250 MHz
Product	Reference Clock											
1-lane Endpoint Block Plus	100 or 250 MHz											
2-lane Endpoint Block Plus	100 or 250 MHz											
4-lane Endpoint Block Plus	100 or 250 MHz											
8-lane Endpoint Block Plus	100 or 250 MHz											
<code>refclkout</code>	Output	<p><b>Reference Clock Out:</b> A free running clock output - 100 or 250 MHz, based on Reference Clock.</p>										

### PCI Express Interface

The PCI Express (PCI\_EXP) interface consists of differential transmit and receive pairs organized in multiple lanes. A PCI Express lane consists of a pair of transmit differential signals (`pci_exp_txp`, `pci_exp_txn`) and a pair of receive differential signals (`pci_exp_rxp`, `pci_exp_rxn`). The 1-lane endpoint core supports only lane 0, the 2-lane endpoint core supports lanes 0-1, the 4-lane endpoint core supports lanes 0-3, and the 8-lane endpoint core supports lanes 0-7. Transmit and receive signals of the

PCI\_EXP interface signals for 1-, 2-, 4-, and 8-lane Endpoint cores are described in Tables 3, 4, 5 and 6 respectively.

**Table 3: Interface Signals for the 1-lane Endpoint Core**

Lane Number	Name	Direction	Description
0	pci_exp_txp0	Output	<b>PCI Express Transmit Positive:</b> Serial Differential Output 0 (+)
0	pci_exp_txn0	Output	<b>PCI Express Transmit Negative:</b> Serial Differential Output 0 (-)
0	pci_exp_rxp0	Input	<b>PCI Express Receive Positive:</b> Serial Differential Input 0 (+)
0	pci_exp_rxn0	Input	<b>PCI Express Receive Negative:</b> Serial Differential Input 0 (-)

**Table 4: Interface Signals for the 2-lane Endpoint Core**

Lane Number	Name	Direction	Description
0	pci_exp_txp0	Output	<b>PCI Express Transmit Positive:</b> Serial Differential Output 0 (+)
0	pci_exp_txn0	Output	<b>PCI Express Transmit Negative:</b> Serial Differential Output 0 (-)
0	pci_exp_rxp0	Input	<b>PCI Express Receive Positive:</b> Serial Differential Input 0 (+)
0	pci_exp_rxn0	Input	<b>PCI Express Receive Negative:</b> Serial Differential Input 0 (-)
1	pci_exp_txp1	Output	<b>PCI Express Transmit Positive:</b> Serial Differential Output 1 (+)
1	pci_exp_txn1	Output	<b>PCI Express Transmit Negative:</b> Serial Differential Output 1 (-)
1	pci_exp_rxp1	Input	<b>PCI Express Receive Positive:</b> Serial Differential Input 1 (+)
1	pci_exp_rxn1	Input	<b>PCI Express Receive Negative:</b> Serial Differential Input 1 (-)

**Table 5: Interface Signals for the 4-lane Endpoint Core**

Lane Number	Name	Direction	Description
0	pci_exp_txp0	Output	<b>PCI Express Transmit Positive:</b> Serial Differential Output 0 (+)
0	pci_exp_txn0	Output	<b>PCI Express Transmit Negative:</b> Serial Differential Output 0 (-)
0	pci_exp_rxp0	Input	<b>PCI Express Receive Positive:</b> Serial Differential Input 0 (+)
0	pci_exp_rxn0	Input	<b>PCI Express Receive Negative:</b> Serial Differential Input 0 (-)
1	pci_exp_txp1	Output	<b>PCI Express Transmit Positive:</b> Serial Differential Output 1 (+)
1	pci_exp_txn1	Output	<b>PCI Express Transmit Negative:</b> Serial Differential Output 1 (-)
1	pci_exp_rxp1	Input	<b>PCI Express Receive Positive:</b> Serial Differential Input 1 (+)
1	pci_exp_rxn1	Input	<b>PCI Express Receive Negative:</b> Serial Differential Input 1 (-)
2	pci_exp_txp2	Output	<b>PCI Express Transmit Positive:</b> Serial Differential Output 2 (+)
2	pci_exp_txn2	Output	<b>PCI Express Transmit Negative:</b> Serial Differential Output 2 (-)
2	pci_exp_rxp2	Input	<b>PCI Express Receive Positive:</b> Serial Differential Input 2 (+)
2	pci_exp_rxn2	Input	<b>PCI Express Receive Negative:</b> Serial Differential Input 2 (-)
3	pci_exp_txp3	Output	<b>PCI Express Transmit Positive:</b> Serial Differential Output 3 (+)

Table 5: Interface Signals for the 4-lane Endpoint Core (Cont'd)

Lane Number	Name	Direction	Description
3	pci_exp_txn3	Output	<b>PCI Express Transmit Negative:</b> Serial Differential Output 3 (-)
3	pci_exp_rxp3	Input	<b>PCI Express Receive Positive:</b> Serial Differential Input 3 (+)
3	pci_exp_rxn3	Input	<b>PCI Express Receive Negative:</b> Serial Differential Input 3 (-)

Table 6: Interface Signals for the 8-lane Endpoint Core

Lane Number	Name	Direction	Description
0	pci_exp_txp0	Output	<b>PCI Express Transmit Positive:</b> Serial Differential Output 0 (+)
0	pci_exp_txn0	Output	<b>PCI Express Transmit Negative:</b> Serial Differential Output 0 (-)
0	pci_exp_rxp0	Input	<b>PCI Express Receive Positive:</b> Serial Differential Input 0 (+)
0	pci_exp_rxn0	Input	<b>PCI Express Receive Negative:</b> Serial Differential Input 0 (-)
1	pci_exp_txp1	Output	<b>PCI Express Transmit Positive:</b> Serial Differential Output 1 (+)
1	pci_exp_txn1	Output	<b>PCI Express Transmit Negative:</b> Serial Differential Output 1 (-)
1	pci_exp_rxp1	Input	<b>PCI Express Receive Positive:</b> Serial Differential Input 1 (+)
1	pci_exp_rxn1	Input	<b>PCI Express Receive Negative:</b> Serial Differential Input 1 (-)
2	pci_exp_txp2	Output	<b>PCI Express Transmit Positive:</b> Serial Differential Output 2 (+)
2	pci_exp_txn2	Output	<b>PCI Express Transmit Negative:</b> Serial Differential Output 2 (-)
2	pci_exp_rxp2	Input	<b>PCI Express Receive Positive:</b> Serial Differential Input 2 (+)
2	pci_exp_rxn2	Input	<b>PCI Express Receive Negative:</b> Serial Differential Input 2 (-)
3	pci_exp_txp3	Output	<b>PCI Express Transmit Positive:</b> Serial Differential Output 3 (+)
3	pci_exp_txn3	Output	<b>PCI Express Transmit Negative:</b> Serial Differential Output 3 (-)
3	pci_exp_rxp3	Input	<b>PCI Express Receive Positive:</b> Serial Differential Input 3 (+)
3	pci_exp_rxn3	Input	<b>PCI Express Receive Negative:</b> Serial Differential Input 3 (-)
4	pci_exp_txp4	Output	<b>PCI Express Transmit Positive:</b> Serial Differential Output 4 (+)
4	pci_exp_txn4	Output	<b>PCI Express Transmit Negative:</b> Serial Differential Output 4 (-)
4	pci_exp_rxp4	Input	<b>PCI Express Receive Positive:</b> Serial Differential Input 4 (+)
4	pci_exp_rxn4	Input	<b>PCI Express Receive Negative:</b> Serial Differential Input 4 (-)
5	pci_exp_txp5	Output	<b>PCI Express Transmit Positive:</b> Serial Differential Output 5 (+)
5	pci_exp_txn5	Output	<b>PCI Express Transmit Negative:</b> Serial Differential Output 5 (-)
5	pci_exp_rxp5	Input	<b>PCI Express Receive Positive:</b> Serial Differential Input 5 (+)
5	pci_exp_rxn5	Input	<b>PCI Express Receive Negative:</b> Serial Differential Input 5 (-)
6	pci_exp_txp6	Output	<b>PCI Express Transmit Positive:</b> Serial Differential Output 6 (+)
6	pci_exp_txn6	Output	<b>PCI Express Transmit Negative:</b> Serial Differential Output 6 (-)
6	pci_exp_rxp6	Input	<b>PCI Express Receive Positive:</b> Serial Differential Input 6 (+)
6	pci_exp_rxn6	Input	<b>PCI Express Receive Negative:</b> Serial Differential Input 6 (-)



Table 6: Interface Signals for the 8-lane Endpoint Core (Cont'd)

Lane Number	Name	Direction	Description
7	pci_exp_txp7	Output	<b>PCI Express Transmit Positive:</b> Serial Differential Output 7 (+)
7	pci_exp_txn7	Output	<b>PCI Express Transmit Negative:</b> Serial Differential Output 7 (-)
7	pci_exp_rxp7	Input	<b>PCI Express Receive Positive:</b> Serial Differential Input 7 (+)
7	pci_exp_rxn7	Input	<b>PCI Express Receive Negative:</b> Serial Differential Input 7 (-)

## Configuration Interface

The Configuration (CFG) interface provides a mechanism for the user design to inspect the state of the Endpoint's PCI Express configuration space. The user provides a 10-bit configuration address which selects one of the 1024 configuration space double word (DWORD) registers. The Endpoint Block Plus for PCIe core returns the state of the selected register over the 32-bit data output port. Table 7 describes the configuration interface signals.

Table 7: Configuration Interface Signals

Name	Direction	Description
cfg_do[31:0]	Output	<b>Configuration Data Out:</b> A 32-bit data output port used to obtain read data from the configuration space inside the core.
cfg_rd_wr_done_n	Output	<b>Configuration Read Write Done:</b> Active low. The read-write done signal indicates a successful completion of the user configuration register access operation. For a user configuration register read operation, the signal validates the cfg_do[31:0] data-bus value. In the event of an unsuccessful read operation (cfg_rd_wr_done_n does not assert within 10 clock cycles) user logic must assume the transaction has failed and must re-initiate the transaction. cfg_rd_wr_done_n is not supported for writes to the Configuration space (optional feature). <sup>(1)</sup>
cfg_di[31:0]	Input	<b>Configuration Data In:</b> 32-bit data input port used to provide write data to the configuration space inside the core. Optionally supported. <sup>(1)</sup>
cfg_dwaddr[9:0]	Input	<b>Configuration DWORD Address:</b> A 10-bit address input port used to provide a configuration register DWORD address during configuration register accesses.
cfg_wr_en_n	Input	<b>Configuration Write Enable:</b> Active-low write-enable for configuration register access. Optionally supported. <sup>(1)</sup>
cfg_rd_en_n	Input	<b>Configuration Read Enable:</b> Active low read-enable for configuration register access. Only supported after 20 clock cycles after trn_lnk_up_n assertion. <b>Note:</b> cfg_rd_en_n must be asserted for no more than 1 trn_clk cycle at a time.
cfg_byte_en_n[3:0]	Input	<b>Configuration Byte Enable:</b> Active-low byte enables for configuration register access signal. Optionally supported. <sup>(1)</sup>
cfg_interrupt_n	Input	<b>Configuration Interrupt:</b> Active-low interrupt-request signal. The User Application may assert this to cause appropriate interrupt messages to be transmitted by the core.
cfg_interrupt_rdy_n	Output	<b>Configuration Interrupt Ready:</b> Active-low interrupt grant signal. Assertion on this signal indicates that the core has successfully transmitted the appropriate interrupt message.

Table 7: Configuration Interface Signals (Cont'd)

Name	Direction	Description										
cfg_interrupt_mmenable[2:0]	Output	<b>Configuration Interrupt Multiple Message Enable:</b> This is the value of the Multiple Message Enable field. Values range from 000b to 101b. A value of 000b indicates that single vector MSI is enabled, while other values indicate the number of bits that may be used for multi-vector MSI.										
cfg_interrupt_msienable	Output	<b>Configuration Interrupt MSI Enabled:</b> Indicates that the Message Signaling Interrupt (MSI) messaging is enabled. If 0, then only Legacy (INTx) interrupts may be sent.										
cfg_interrupt_di[7:0]	Input	<b>Configuration Interrupt Data In:</b> For Message Signaling Interrupts (MSI), the portion of the Message Data that the endpoint must drive to indicate MSI vector number, if Multi-Vector Interrupts are enabled. The value indicated by cfg_interrupt_mmenable[2:0] determines the number of lower-order bits of Message Data that the endpoint provides; the remaining upper bits of cfg_interrupt_di[7:0] are not used. For Single-Vector Interrupts, cfg_interrupt_di[7:0] is not used. For Legacy interrupt messages (Assert_INTx, Deassert_INTx), the following list defines the type of message to be sent: <table border="1"> <thead> <tr> <th>Value</th> <th>Legacy Interrupt</th> </tr> </thead> <tbody> <tr> <td>00h</td> <td>INTA</td> </tr> <tr> <td>01h</td> <td>INTB</td> </tr> <tr> <td>02h</td> <td>INTC</td> </tr> <tr> <td>03h</td> <td>INTD</td> </tr> </tbody> </table>	Value	Legacy Interrupt	00h	INTA	01h	INTB	02h	INTC	03h	INTD
Value	Legacy Interrupt											
00h	INTA											
01h	INTB											
02h	INTC											
03h	INTD											
cfg_interrupt_do[7:0]	Output	<b>Configuration Interrupt Data Out:</b> The value of the lowest 8 bits of the Message Data field in the endpoint's MSI capability structure. This value is used in conjunction with cfg_interrupt_mmenable[2:0] to drive cfg_interrupt_di[7:0].										
cfg_interrupt_assert_n	Input	<b>Configuration Legacy Interrupt Assert/Deassert Select:</b> Selects between Assert and Deassert messages for Legacy interrupts when cfg_interrupt_n is asserted. Not used for MSI interrupts. <table border="1"> <thead> <tr> <th>Value</th> <th>Message Type</th> </tr> </thead> <tbody> <tr> <td>0</td> <td>Assert</td> </tr> <tr> <td>1</td> <td>Deassert</td> </tr> </tbody> </table>	Value	Message Type	0	Assert	1	Deassert				
Value	Message Type											
0	Assert											
1	Deassert											
cfg_to_turnoff_n	Output	<b>Configuration To Turnoff:</b> Notifies the user that a PME_TURN_Off message has been received and the main power will soon be removed.										
cfg_bus_number[7:0]	Output	<b>Configuration Bus Number:</b> Provides the assigned bus number for the device. The User Application must use this information in the Bus Number field of outgoing TLP requests. Default value after reset is 00h. Refreshed whenever a Type 0 Configuration packet is received.										
cfg_device_number[4:0]	Output	<b>Configuration Device Number:</b> Provides the assigned device number for the device. The User Application must use this information in the Device Number field of outgoing TLP requests. Default value after reset is 00000b. Refreshed whenever a Type 0 Configuration packet is received.										
cfg_function_number[2:0]	Output	<b>Configuration Function Number:</b> Provides the function number for the device. The User Application must use this information in the Function Number field of outgoing TLP request. Function number is hard-wired to 000b.										
cfg_status[15:0]	Output	<b>Configuration Status:</b> Status register from the Configuration Space Header.										

**Table 7: Configuration Interface Signals (Cont'd)**

<b>Name</b>	<b>Direction</b>	<b>Description</b>
cfg_command[15:0]	Output	<b>Configuration Command:</b> Command register from the Configuration Space Header.
cfg_dstatus[15:0]	Output	<b>Configuration Device Status:</b> Device status register from the PCI Express Extended Capability Structure.
cfg_dcommand[15:0]	Output	<b>Configuration Device Command:</b> Device control register from the PCI Express Extended Capability Structure.
cfg_lstatus[15:0]	Output	<b>Configuration Link Status:</b> Link status register from the PCI Express Extended Capability Structure.
cfg_lcommand[15:0]	Output	<b>Configuration Link Command:</b> Link control register from the PCI Express Extended Capability Structure.
cfg_pm_wake_n	Input	<b>Configuration Power Management Wake:</b> A one-clock cycle active low assertion signals the core to generate and send a Power Management Wake Event (PM_PME) Message TLP to the upstream link partner. <b>Note:</b> The user is required to assert this input only under stable link conditions as reported on the cfg_pcie_link_state[2:0]. Assertion of this signal when the PCIe link is in transition results in incorrect behavior on the PCIe link.
cfg_pcie_link_state_n[2:0]	Output	<b>PCI Express Link State:</b> One-hot encoded bus that reports the PCIe Link State Information to the user. 110b - PCI Express Link State is "L0" 101b - PCI Express Link State is "L0s" 011b - PCI Express Link State is "L1" 111b - PCI Express Link State is "in transition"
cfg_trn_pending_n	Input	<b>User Transaction Pending:</b> If asserted, sets the Transactions Pending bit in the Device Status Register. <b>Note:</b> The user is required to assert this input if the User Application has not received a completion to an upstream request.
cfg_dsn[63:0]	Input	<b>Configuration Device Serial Number:</b> Serial Number Register fields of the Device Serial Number extended capability.
fast_train_simulation_only	Input	<b>Fast Train:</b> Should only be asserted for simulation. PLL Lock counters are bypassed when the input is asserted (set to 1) to allow the simulation to train faster. Do not assert this input when using the core in hardware; doing so may cause link instability.

1. Writing to the configuration space through the user configuration port is optionally supported. See the *Endpoint Block Plus for PCI Express User Guide* ([UG341](#)) for more details.

## Error Reporting Signals

Table 8 defines the User Application error-reporting signals.

Table 8: User Application Error-Reporting Signals

Port Name	Direction	Description
cfg_err_ecrc_n	Input	<b>ECRC Error Report:</b> The user can assert this signal to report an ECRC error (end-to-end CRC).
cfg_err_ur_n	Input	<b>Configuration Error Unsupported Request:</b> The user can assert this signal to report that an unsupported request was received.
cfg_err_cpl_timeout_n	Input	<b>Configuration Error Completion Timeout:</b> The user can assert this signal to report a completion timed out. <b>Note:</b> The user should assert this signal only if the device power state is D0. Asserting this signal in non-D0 device power states might result in an incorrect operation on the PCIe link. For additional information, see the <i>PCI Express Base Specification</i> , Rev.1.1, Section 5.3.1.2.
cfg_err_cpl_unexpect_n	Input	<b>Configuration Error Completion Unexpected:</b> The user can assert this signal to report that an unexpected completion was received.
cfg_err_cpl_abort_n	Input	<b>Configuration Error Completion Aborted:</b> The user can assert this signal to report that a completion was aborted.
cfg_err_posted_n	Input	<b>Configuration Error Posted:</b> This signal is used to further qualify any of the cfg_err_* input signals. When this input is asserted concurrently with one of the other signals, it indicates that the transaction which caused the error was a posted transaction.
cfg_err_cor_n	Input	<b>Configuration Error Correctable Error:</b> The user can assert this signal to report that a correctable error was detected.
cfg_err_tlp_cpl_header[47:0]	Input	<b>Configuration Error TLP Completion Header:</b> Accepts the header information from the user when an error is signaled. This information is required so that the core can issue a correct completion, if required. The following information should be extracted from the received error TLP and presented in the format below: [47:41] Lower Address [40:29] Byte Count [28:26] TC [25:24] Attr [23:8] Requester ID [7:0] Tag

Table 8: User Application Error-Reporting Signals (Cont'd)

Port Name	Direction	Description
cfg_err_cpl_rdy_n	Output	<b>Configuration Error Completion Ready:</b> When asserted, this signal indicates that the core can accept assertions on cfg_err_ur_n and cfg_err_cpl_abort_n for Non-Posted Transactions. Assertions on cfg_err_ur_n and cfg_err_cpl_abort_n are ignored when cfg_err_cpl_rdy_n is deasserted.
cfg_err_locked_n	Input	<b>Configuration Error Locked:</b> This signal is used to further qualify any of the cfg_err_* input signals. When this input is asserted concurrently with one of the other signals, it indicates that the transaction that caused the error was a locked transaction. This signal is intended to be used in Legacy mode. If the user needs to signal an unsupported request or an aborted completion for a locked transaction, this signal can be used to return a Completion Locked with UR or CA status. <b>Note:</b> When not in Legacy mode, the core will automatically return a Completion Locked, if appropriate.

## Transaction Interface

The Transaction (TRN) interface provides a mechanism for the user design to generate and consume TLPs. The signal names and signal descriptions, as well as the clock cycles and event descriptions for both interfaces, are shown in Tables 9 through 13, and in Figures 2 and 3.

### Transmit TRN Interface

Table 9 defines the transmit (Tx) Transaction interface signals.

Table 9: Transmit Transaction Interface Signals

Name	Direction	Description
trn_tsof_n	Input	<b>Transmit Start-of-Frame (SOF):</b> Active low. Signals the start of a packet. Valid only with assertion of trn_tsrc_rdy_n.
trn_teof_n	Input	<b>Transmit End-of-Frame (EOF):</b> Active low. Signals the end of a packet. Valid only with assertion of trn_tsrc_rdy_n.
trn_td[63:0]	Input	<b>Transmit Data:</b> Packet data to be transmitted.
trn_trem_n[7:0]	Input	<b>Transmit Data Remainder:</b> Valid only if both trn_teof_n and trn_tdst_rdy_n are asserted. Legal values are: 0000_0000b = packet data on all of trn_td[63:0] 0000_1111b = packet data only on trn_td[63:32]
trn_tsrc_rdy_n	Input	<b>Transmit Source Ready:</b> Active low. Indicates that the User Application is presenting valid data on trn_td[63:0].
trn_tdst_rdy_n	Output	<b>Transmit Destination Ready:</b> Active low. Indicates that the core is ready to accept data on trn_td[63:0]. The simultaneous assertion of trn_tsrc_rdy_n and trn_tdst_rdy_n marks the successful transfer of one data beat on trn_td[63:0].
trn_tsrc_dsc_n	Input	<b>Transmit Source Discontinue:</b> May be asserted any time starting on the first cycle after SOF to EOF, inclusive.
trn_tdst_dsc_n	Output	<b>Transmit Destination Discontinue:</b> Active low. Indicates that the core is aborting the current packet. Asserted when the physical link is going into reset. Not supported; signal is tied high.

Table 9: Transmit Transaction Interface Signals (Cont'd)

Name	Direction	Description
trn_tsrc_dsc_n	Input	<b>Transmit Source Discontinue:</b> May be asserted any time starting on the first cycle after SOF to EOF, inclusive.
trn_tbuf_av[3:0]	Output	<p><b>Transmit Buffers Available:</b> Indicates transmit buffer availability in the core. Each bit of trn_tbuf_av corresponds to one of the following credit queues:</p> <ul style="list-style-type: none"> <li>trn_tbuf_av[0] =&gt; Non Posted Queue</li> <li>trn_tbuf_av[1] =&gt; Posted Queue</li> <li>trn_tbuf_av[2] =&gt; Completion Queue</li> <li>trn_tbuf_av[3] =&gt; Look-Ahead Completion Queue</li> </ul> <p>A value of 1 indicates that the core can accept at least 1 TLP of that particular credit class. A value of 0 indicates no buffer availability in the particular queue.</p> <p>trn_tbuf_av[3] indicates that the core may be about to run out of Completion Queue buffers. If this is deasserted, performance can be optimized by sending a Posted or Non-Posted TLP instead of a Completion TLP. If a Completion TLP is sent when this signal is de-asserted, the core may be forced to stall the TRN interface for all TLP types, until new Completion Queue buffers become available.</p>

Figure 2 illustrates the transfer on the TRN interface of two TLPs to be transmitted on the PCI Express Link. Every valid transfer can be up to a Quad Word (QWORD) of data.

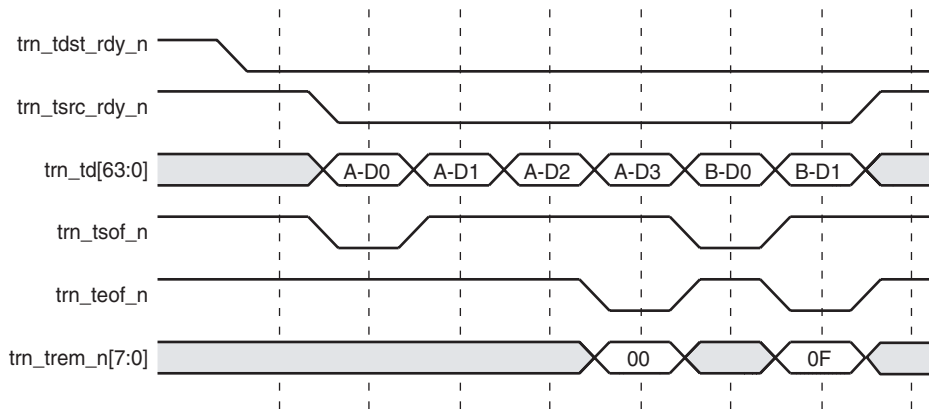


Figure 2: Tx TRN Interface

Table 10 defines and describes the transmit path clock cycle signals.

Table 10: Transmit Path Clock Cycle Signals

Clock Cycle	Event Description
1	The Block Plus core signals that it can accept the transfer of a TLP, with the assertion of trn_tdst_rdy_n.
2	The user application initiates the transfer with the assertion of trn_tsrc_rdy_n and trn_tsof_n. The combined assertion of trn_tsrc_rdy_n and trn_tdst_rdy_n marks a data transfer. Frame A QWORD 0 is transferred in conjunction with trn_tsof_n.
3	Frame A QWORD D1 is transferred.
4	Frame A QWORD D2 is transferred.

Table 10: Transmit Path Clock Cycle Signals

Clock Cycle	Event Description
5	Frame A QWORD D3 is transferred. The trn_trem_n[7:0] bus specifies that all 8 bytes are valid on the last QWORD.
6	Frame B QWORD D0 is transferred.
7	Frame B QWORD D1 is transferred. The trn_trem_n[7:0] bus specifies that the upper 4 bytes are valid (trn_td[63:32]) on the last QWORD.
8	Note that trn_tdst_rdy_n remains asserted to offer the user application the option to start the transmission of the next TLP.

## Receive TRN Interface

Table 11 defines the receive (Rx) TRN interface signals.

Table 11: Receive Transaction Interface Signals

Name	Direction	Description
trn_rsof_n	Output	<b>Receive Start-of-Frame (SOF):</b> Active low. Signals the start of a packet. Valid only if trn_rsrc_rdy_n is also asserted.
trn_reof_n	Output	<b>Receive End-of-Frame (EOF):</b> Active low. Signals the end of a packet. Valid only if trn_rsrc_rdy_n is also asserted.
trn_rd[63:0]	Output	<b>Receive Data:</b> Packet data being received. Valid only if trn_rsrc_rdy_n is also asserted.
trn_rrem_n[7:0]	Output	<b>Receive Data Remainder:</b> Valid only if all of the following signals are asserted: trn_reof_n, trn_rsrc_rdy_n, and trn_rdst_rdy_n. Legal values are: 0000_0000b = packet data on all of trn_rd[63:0] 0000_1111b = packet data only on trn_rd[63:32]
trn_rerrfwd_n	Output	<b>Receive Error Forward:</b> Active low. Marks the packet in progress as error poisoned. Asserted by the core for the entire length of the packet.
trn_rsrc_rdy_n	Output	<b>Receive Source Ready:</b> Active low. Indicates the core is presenting valid data on trn_rd[63:0].
trn_rdst_rdy_n	Input	<b>Receive Destination Ready:</b> Active low. Indicates the User Application is ready to accept data on trn_rd[63:0]. The simultaneous assertion of trn_rsrc_rdy_n and trn_rdst_rdy_n marks the successful transfer of one data beat on trn_td[63:0].
trn_rsrc_dsc_n	Output	<b>Receive Source Discontinue:</b> Active low. Indicates the core is aborting the current packet. Asserted when the physical link is going into reset. Not supported; signal is tied high.
trn_rnp_ok_n	Input	<b>Receive Non-Posted OK:</b> Active low. The User Application asserts trn_rnp_ok_n when it is ready to accept a Non-Posted Request packet. When asserted, packets are presented to the user application in the order they are received unless trn_rcpl_streaming_n is asserted. When the User Application approaches a state where it is unable to service Non-Posted Requests, it must deassert trn_rnp_ok_n one clock cycle before the core presents EOF of the next-to-last Non-Posted TLP the User Application can accept. This allows Posted and Completion packets to bypass Non-Posted packets in the inbound queue.

Table 11: Receive Transaction Interface Signals (Cont'd)

Name	Direction	Description
trn_rcpl_streaming_n	Input	<b>Receive Completion Streaming:</b> Active low. Asserted to enable Upstream Memory Read transmission without the need for throttling.
trn_rbar_hit_n[6:0]	Output	<b>Receive BAR Hit:</b> Active low. Indicates BAR(s) targeted by the current receive transaction. trn_rbar_hit_n[0] => BAR0 trn_rbar_hit_n[1] => BAR1 trn_rbar_hit_n[2] => BAR2 trn_rbar_hit_n[3] => BAR3 trn_rbar_hit_n[4] => BAR4 trn_rbar_hit_n[5] => BAR5 trn_rbar_hit_n[6] => Expansion ROM BAR. Note that if two BARs are configured into a single 64-bit address, both corresponding trn_rbar_hit_n bits are asserted.
trn_rfc_ph_av[7:0] <sup>(1)</sup>	Output	<b>Receive Posted Header Flow Control Credits Available:</b> The number of Posted Header FC credits available to the remote link partner.
trn_rfc_pd_av[11:0] <sup>(0)</sup>	Output	<b>Receive Posted Data Flow Control Credits Available:</b> The number of Posted Data FC credits available to the remote link partner.
trn_rfc_nph_av[7:0] <sup>(0)</sup>	Output	<b>Receive Non-Posted Header Flow Control Credits Available:</b> Number of Non-Posted Header FC credits available to the remote link partner.
trn_rfc_npd_av[11:0] <sup>(0)</sup>	Output	<b>Receive Non-Posted Data Flow Control Credits Available:</b> Number of Non-Posted Data FC credits available to the remote link partner. Always 0 as a result of advertising infinite initial data credits.

1. Credit values given to the user are instantaneous quantities, not the cumulative (from time zero) values seen by the remote link partner.

Figure 3 illustrates the transfer of two TLPs received from the PCI Express Link on the TRN interface.

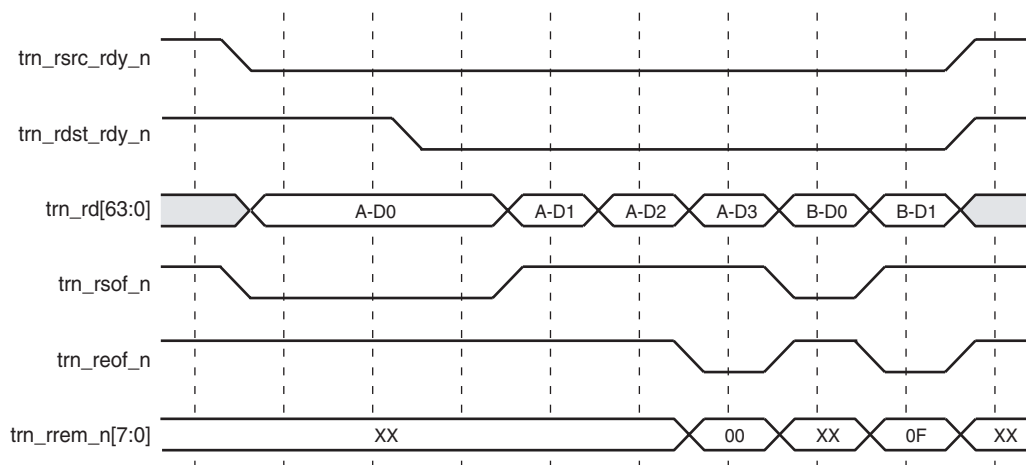


Figure 3: Rx TRN Interface



Table 12 defines the receive path clock cycle signals.

Table 12: Receive Path Clock Cycle Signals

Clock Cycle	Event Description
1	The Block Plus core signals by the assertion of trn_rsrc_rdy_n and trn_rsof_n that a valid TLP has been entirely received from the link.
3	The user application asserts trn_rdst_rdy_n to signal that it is ready to receive the TLP. The combined assertion of trn_rsrc_rdy_n and trn_rdst_rdy_n marks a data transfer.
6	The end of the frame is signaled with trn_reof_n. The trn_rrem_n[7:0] bus specifies all bytes are valid on the last QWORD.
7	The first QWORD of the second frame is transferred. The core asserts trn_rsof_n to mark the start of the frame.
8	The end of the current frame is marked with the assertion of trn_reof_n. The trn_rrem_n[7:0] bus specifies that the upper 4 bytes (trn_rd[63:32]) are valid on the last QWORD.
9	The Block Plus core deasserts its trn_rsrc_rdy_n signal because there are no more pending TLPs to transfer.

### Common TRN Interface

Table 13 defines and describes the common TRN interface signals.

Table 13: Common Transaction Interface Signals

Name	Direction	Description															
trn_clk	Output	<p><b>Transaction Clock:</b> Transaction and Configuration interface operations are referenced-to and synchronous-with the rising edge of this clock. trn_clk is unavailable when the core sys_reset_n is held asserted. trn_clk is guaranteed to be stable at the nominal operating frequency after the core deasserts trn_reset_n. The trn_clk clock output is a fixed frequency configured in the CORE Generator GUI. trn_clk does not shift frequencies in case of link recovery or training down.</p> <table border="1"> <thead> <tr> <th>Product</th> <th>Recommended Frequency (MHz)</th> <th>Optional Frequency (MHz)</th> </tr> </thead> <tbody> <tr> <td>1-lane Endpoint Block Plus</td> <td>62.5</td> <td>125.0</td> </tr> <tr> <td>2-lane Endpoint Block Plus</td> <td>125.0</td> <td>250.0</td> </tr> <tr> <td>4-lane Endpoint Block Plus</td> <td>125.0</td> <td>250.0</td> </tr> <tr> <td>8-lane Endpoint Block Plus</td> <td>250.0</td> <td>125.0</td> </tr> </tbody> </table>	Product	Recommended Frequency (MHz)	Optional Frequency (MHz)	1-lane Endpoint Block Plus	62.5	125.0	2-lane Endpoint Block Plus	125.0	250.0	4-lane Endpoint Block Plus	125.0	250.0	8-lane Endpoint Block Plus	250.0	125.0
Product	Recommended Frequency (MHz)	Optional Frequency (MHz)															
1-lane Endpoint Block Plus	62.5	125.0															
2-lane Endpoint Block Plus	125.0	250.0															
4-lane Endpoint Block Plus	125.0	250.0															
8-lane Endpoint Block Plus	250.0	125.0															
trn_reset_n	Output	<p><b>Transaction Reset:</b> Active low. User logic interacting with the Transaction and Configuration interfaces must use trn_reset_n to return to their quiescent states. trn_reset_n is deasserted synchronously with respect to trn_clk. trn_reset_n is deasserted and is asserted asynchronously with sys_reset_n assertion. Note that trn_reset_n is not asserted for core in-band reset events like Hot Reset or Link Disable.</p>															
trn_lnk_up_n	Output	<p><b>Transaction Link Up:</b> Active low. Transaction link-up is asserted when the core and the connected upstream link partner port are ready and able to exchange data packets. Transaction link-up is deasserted when the core and link partner are attempting to establish communication, and when communication with the link partner is lost due to errors on the transmission channel. When the core is driven to Hot Reset and Link Disable states by the link partner, trn_lnk_up_n is deasserted and all TLPs stored in the endpoint core are lost.</p>															

### Support

Xilinx provides technical support for this LogiCORE product when used as described in the product documentation. Xilinx cannot guarantee timing, functionality, or support of product if implemented in

devices that are not defined in the documentation, if customized beyond that allowed in the product documentation, or if changes are made to any section of the design labeled *DO NOT MODIFY*.

## Ordering Information

This LogiCORE IP module is included free of charge with the Xilinx ISE Design Suite software and is provided under the terms of the [Xilinx End User License Agreement](#). Use the CORE Generator software included with the ISE Design Suite to generate the core. For more information, please visit the [Endpoint Block Plus for PCI Express product page](#).

For pricing and availability of other Xilinx LogiCORE modules and software, please contact your local Xilinx [sales representative](#). Information about additional Xilinx LogiCORE modules can be found at the [Xilinx IP Center](#).

## Revision History

The following table shows the revision history for this document:

Date	Version	Description of Revisions
9/21/06	1.0	Initial Xilinx release.
2/15/07	2.0	Update core to version 1.2; Xilinx tools v9.1i.
5/17/07	3.0	Update core to version 1.3; updated for PCI-SIG compliance.
8/8/07	4.0	Update core to version 1.4; ISE tools v9.2i, Cadence IUS v5.8.
10/10/07	5.0	Update core to version 1.5, Cadence IUS to v6.1.
3/24/08	6.0	Update core to version 1.6, Xilinx tools 10.1.
4/25/08	7.0	Update core to version 1.7.
6/27/08	8.0	Update core to version 1.8.
4/24/09	9.0	Update core to version 1.11 and Xilinx tools to version 11.1.
6/24/09	10.0	Update Xilinx tools to version 11.2.
9/16/09	11.0	Update core to version 1.12 and Xilinx tools to version 11.3.
12/2/09	12.0	Update core to version 1.13 and Xilinx tools to version 11.4.
4/19/10	13.0	Update core to version 1.14 and Xilinx tools to version 12.1.

## Notice of Disclaimer

Xilinx is providing this product documentation, hereinafter "Information," to you "AS IS" with no warranty of any kind, express or implied. Xilinx makes no representation that the Information, or any particular implementation thereof, is free from any claims of infringement. You are responsible for obtaining any rights you may require for any implementation based on the Information. All specifications are subject to change without notice. XILINX EXPRESSLY DISCLAIMS ANY WARRANTY WHATSOEVER WITH RESPECT TO THE ADEQUACY OF THE INFORMATION OR ANY IMPLEMENTATION BASED THEREON, INCLUDING BUT NOT LIMITED TO ANY WARRANTIES OR REPRESENTATIONS THAT THIS IMPLEMENTATION IS FREE FROM CLAIMS OF INFRINGEMENT AND ANY IMPLIED WARRANTIES OF MERCHANTABILITY OR FITNESS FOR A PARTICULAR PURPOSE. Except as stated herein, none of the Information may be copied, reproduced, distributed, republished, downloaded, displayed, posted, or transmitted in any form or by any means including, but not limited to, electronic, mechanical, photocopying, recording, or otherwise, without the prior written consent of Xilinx.